

INSTRUCTION MANUAL / NOTICE D'INSTRUCTION / MANUAL DE INSTRUCCIONES
 / MANUAL DE INSTRUÇÕES / ISTRUZIONI PER L'USO / GEBRUIKSAANWIJZING /
 INSTRUKCJA OBSŁUGI / FIGYELEM / РЪКОВОДСТВО / KASUTUSJUHEND / ИНСТРУКЦИЯ
 ПО ЭКСПЛУАТАЦИИ / NÁVOD K POUŽITÍ / UPUTE ZA UPORABU / MANUAL UDHËZIMI /
 INSTRUCȚIUNI DE UTILIZARE / INSTRUKCIJŲ VADOVAS / NAVODILA ZA NAMESTITEV /
 INSTRUKCIJA / دليل التعليمات



PC (Above sink)



PC (Under sink)



N4L/ N4LI
VMR / VMRI



N3C



D325



N4 / N4(E)/N4I



D400 / D400I



VM



GH/ PC HM



D400S

ELECTRIC WATER HEATER

Glass-lined Inner tank

EN

CHAUFFE-EAU ÉLECTRIQUE

Cuve émaillée

FR

TERMO ELECTRICO

Cuba vitrificada

ES

TERMOACUMULADOR ELÉTRICO

Revestimento interior esmaltado

PT

SCALDACQUA ELETTRICI

Bollitore vetrificato

IT

ELEKTRISCHE BOILERS

Emailcoating

NL

ELEKTRYCZNY OGRZEWACZ WODY

Zasobnik emaliowany

PL

ELEKTROMOS ÁLLÓTÁROLÓ

Glass bélelt belső tartály

HU

ЕЛЕКРИЧЕСКИ БОЙЛЕР

Емайлирано покритие

BG

ELEKTRIKUUMUTI

Seesmine klaasvooder

ET

ЭЛЕКТРИЧЕСКИЙ ВОДОНАГРЕВАТЕЛЬ

Бак, покрытый стеклокерамикой

RU

ELEKTRICKY OHRIVAC VODY

Smaltovaná nádrž

CS

ELEKTRIČNE GRIJALICE VODE

Emajlirani spremnik vode

HR

NGROHËS ELEKTRIK I UJIT

Rezervuar i brendshëm me shtresë xhami

SQ

BOILERE ELECTRICE

Bazin emailat

RO

ELEKTRINIS VANDENS ŠILDYTUVAS

Emaliuota talpa

LT

ELEKTRIČNI GRELNIK VODE

Emajliran grelnik vode

SL

ELEKTRINIS VANDENS ŠILDYTUVAS

Emaliuota talpa

LV

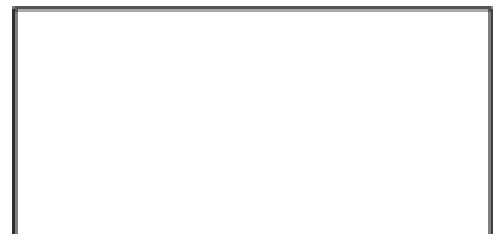
سخان الماء الكهربائي
































خزان داخلي مبطن بالزجاج

AR

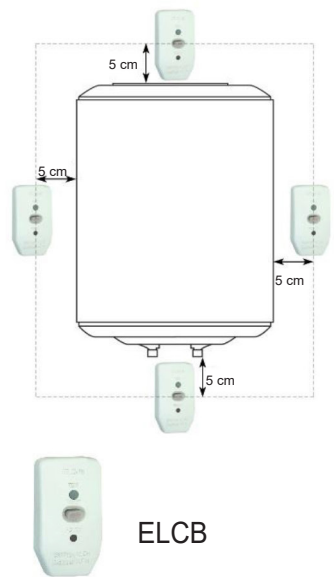
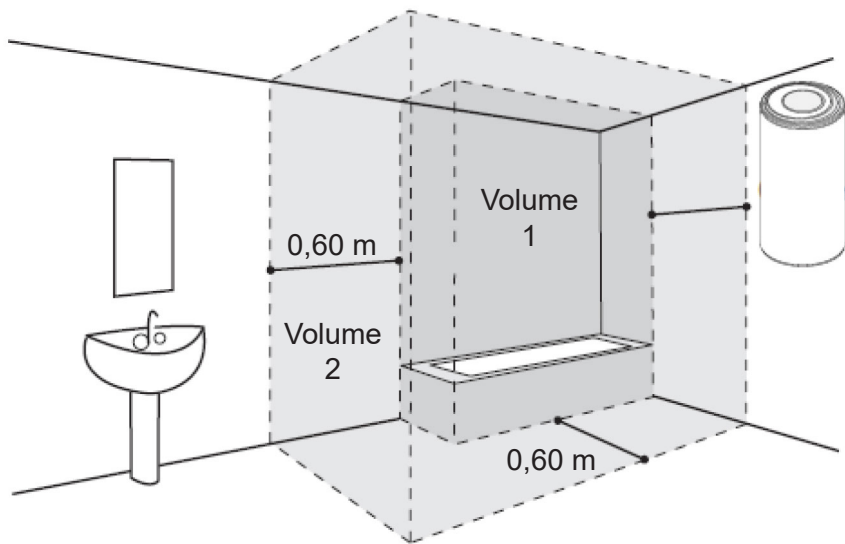
N° : _____ / _____ / 20____

EAC



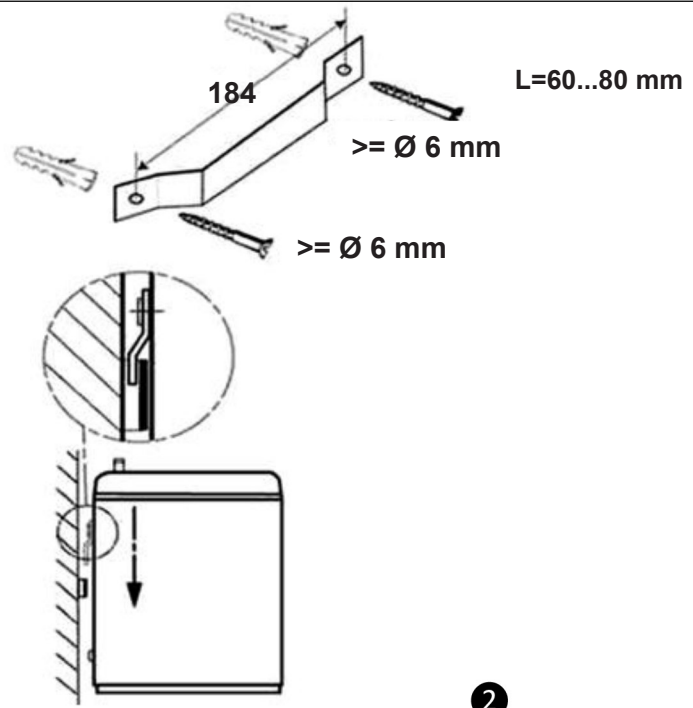
	Puissance / Output (W / BT) (230 V~)	Tension / Voltage (V~/B~)			Piquage / Connection (Ø)						
PC , GP+ / GH (Ø255 & Ø338)											
PC10SB/GTS+10	1200/2000	230 (Under sink)			1/2"	13					
PC10RB/GP+10	1200/1500/1600										
PC15S/GTS+15	1200/2000										
PC15R/GP+15	1200/1500/2000										
PC15SB(Compact)	1200/1500										
PC15RB(Compact)	1200/1600										
PC30 /GP+30	1500/2000										
PC50 /GP+50	1500/2000										
PC75	1500/2000										
PC25	2000										
PC40	2000										
PC60	2000										
GH 30 / PC HM 30	2000	220-240 (Above sink and Horizontal)			1/2"	13					
GH 50 / PC HM 50	2000										
GH 75/ PC HM 75	2000										
PC10 SB	2000	220-240 (Under sink)			1/2"	13					
PC15 SB	2000										
N3C (Ø380)											
VM 030 N3C	1500	230			1/2"	15					
VM 050 N3C	2100										
VM 080 N3C											
D325 (Ø380)											
VM 030 D325-2-BC	1500	230			1/2"	16					
VM 050 D325-2-BC	2100										
VM 080 D325-2-BC											
VM 100 D325-2-BC	2500	220-240			1/2"	21					
VM 50 D325-2-B											
VM 80 D325-2-B											
VM 50 D325-2-B											
VM 80 D325-2-B	3000										
N4/N4I : N4E / E-SERIES / CONCEPT / N4L / VMR											
VM 30 (N4, N4I,N4(E),N4I(E))	800/1200	220-240			1/2"	13					
VM 50 (N4, N4I,N4(E),N4I(E))	800/1200/1500/2000										
VM 60 (N4, N4I,N4(E),N4I(E))											
VM 80(N4, N4I,N4(E),N4I(E))											
VM 100(N4, N4I,N4(E),N4I(E))											
VM 120(N4, N4I,N4(E),N4I(E))											
VMR 50 / VMRI 50	1200 / 1500	220-240			1/2"	13					
VMR 80 / VMRI 80											
VMR 100 / VMRI 100											
HM 50 (N4, N4I,N4(E),N4I(E))	1200/1500	220-240			1/2"	13					
HM 80(N4, N4I,N4(E),N4I(E))											
HM 100(N4, N4I,N4(E),N4I(E))											
HM 50 N4(E)											
HM 80 N4(E)	2500	220-240			1/2"	22					
HM 100 N4(E)											
D400/D400I : EGO / OPRO / CONCEPT/ PREMIUM / EXPERT / OPRO TURBO											
VM 030 (D400-1-M,D400I-1-M)	800/1200/1500	230 220-240			1/2"	17					
VM 040 (D400-1-M,D400I-1-M)	800/1200/1500/2000										
VM 050 (D400-1-M,D400I-1-M)											
VM 060 (D400-1-M,D400I-1-M)											
VM 080 (D400-1-M,D400I-1-M)											
VM 100 (D400-1-M,D400I-1-M)											
VM 120 (D400-1-M,D400I-1-M)											
VM050(D400-2-BC,D400I-2-BC)	1500/2100						230 220-240			1/2"	19 A / B
VM080(D400-2-BC,D400I-2-BC)											
VM100(D400-2-BC,D400I-2-BC)											
VM 050(D400-2-B,D400I-2-B)	2000/2500/3000	230 220-240			1/2"	18 A / B					
VM 080 (D400-2-B,D400I-2-B)											
VM 100(D400-2-B,D400I-2-B)											
HM 050(D400-1-M,D400I-1-M)	800/1200/1500	230 220-240			1/2"	17					
HM 080 (D400-1-M,D400I-1-M)											
HM 100 (D400-1-M,D400I-1-M)											

D400S/D400SI : EGO / OPRO / CONCEPT/ PREMIUM / EXPERT / OPRO TURBO								
VM 030 D400S	800/1200/1500	220-240			1/2"	17		
VM 040 D400S	800/1200/1500/2000							
VM 050 D400S								
VM 060 D400S								
VM 080 D400S								
VM 100 D400S								
VM 120 D400S								
VM 050 D400S-2BC	1500/2100					1/4/5	9	19 A/B
VM 060 D400S-2BC								
VM 080 D400S-2BC								
VM 100 D400S-2BC								
VM 120 D400S-2BC								
VM 050 D400S-2BC								
VM 060 D400S-2BC								
VM 080 D400S-2BC	2000/2500/3000							18 A/B
VM 100 D400S-2BC								
VM 120 D400S-2BC								
VM 050 D400S-2B								
VM 060 D400S-2B								
VM 080 D400S-2B								
VM 100 D400S-2B								
VM 120 D400S-2B								
HM 050 D400S	800/1200/1500		1/6	7	17			
HM 060 D400S								
HM 080 D400S								
HM 100 D400S								
VM : GV / CONCEPT (Ø505), VM D443, VM ND								
VM 150 D443-1-M	2200	220-240	1/5	9	3/4"	14		
VM 200 D443-1-M	1800					20		
VM 150 D443-2-BC	2400							
VM 200 D443-2-BC	1200		13 14					
VM 75 (ND)								
VM 100 (ND)								

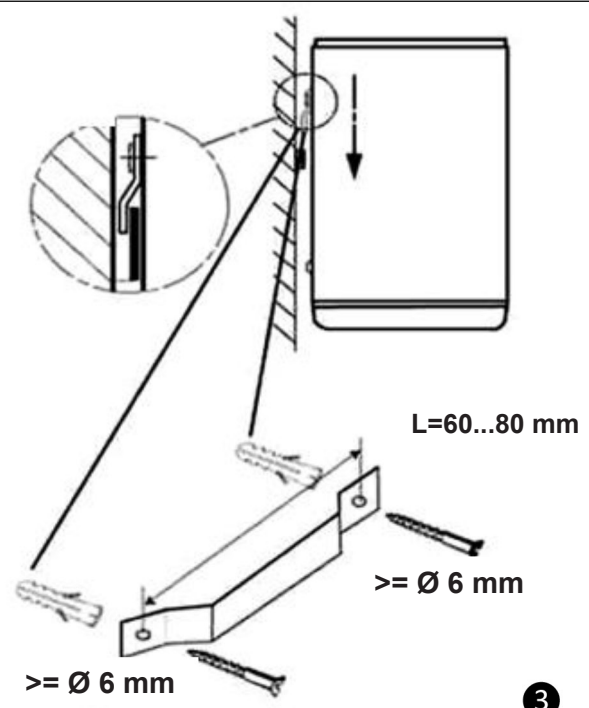


* only for equipped product

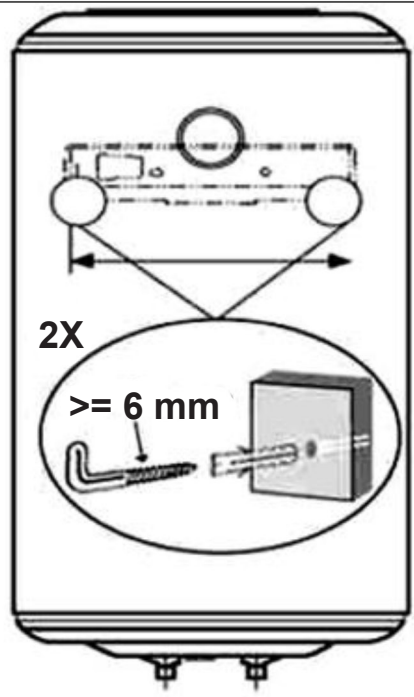
1



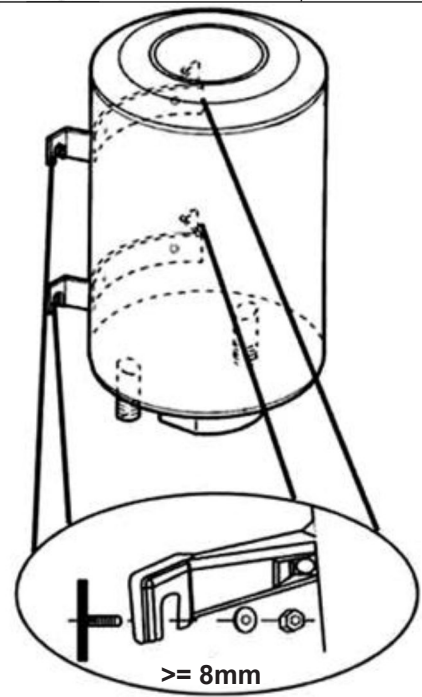
2



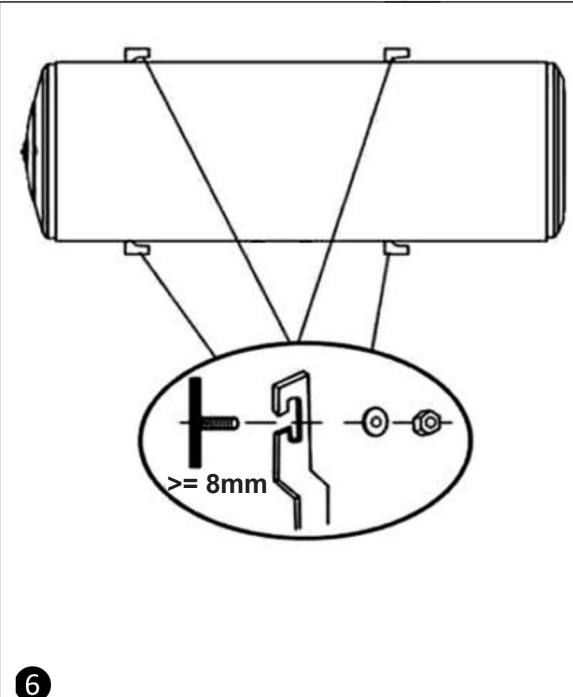
3



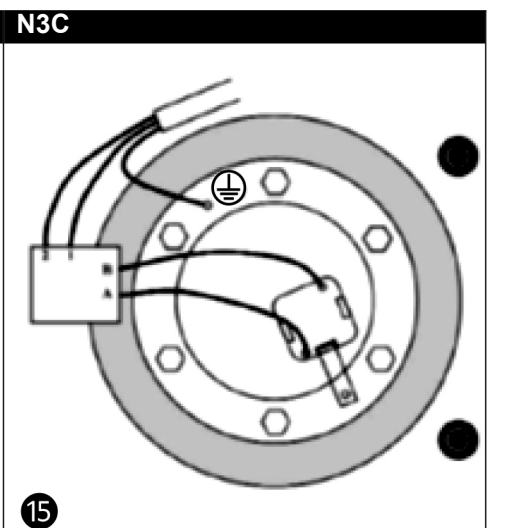
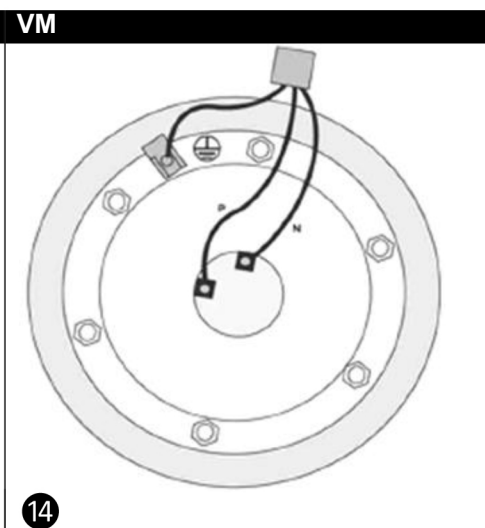
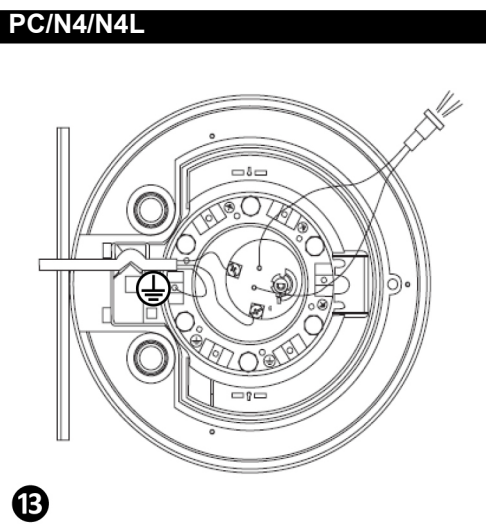
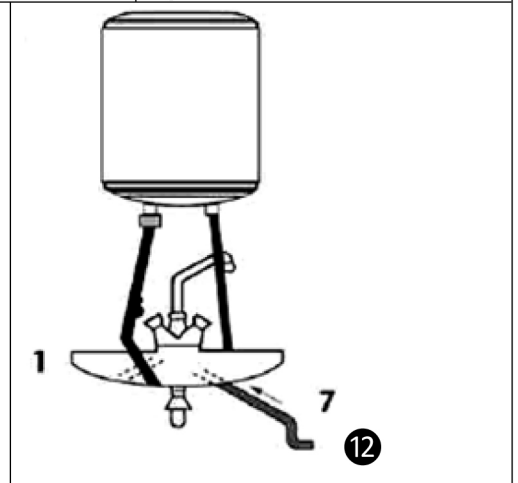
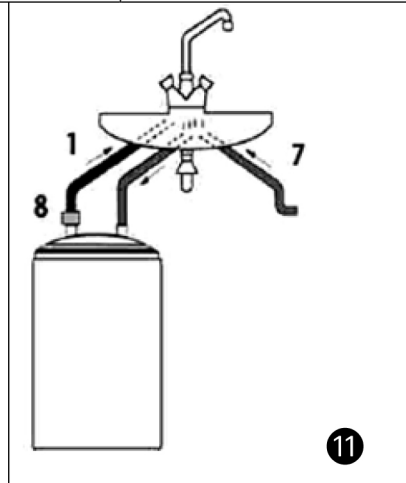
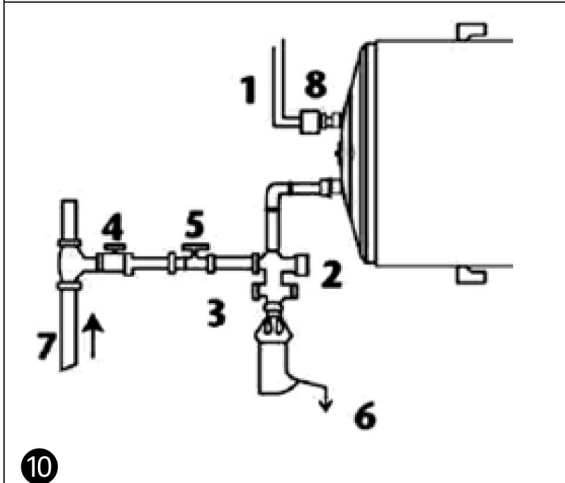
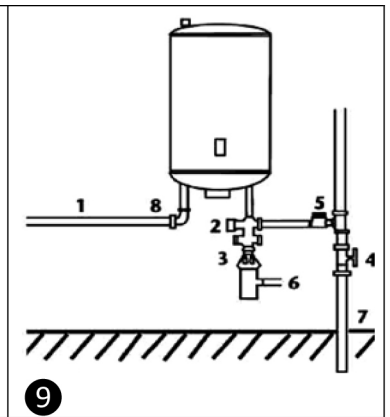
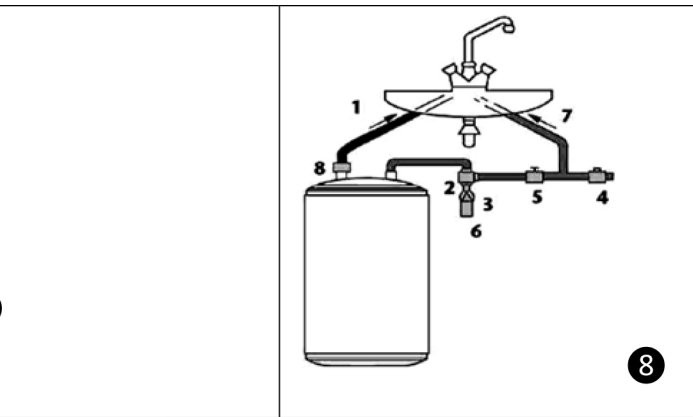
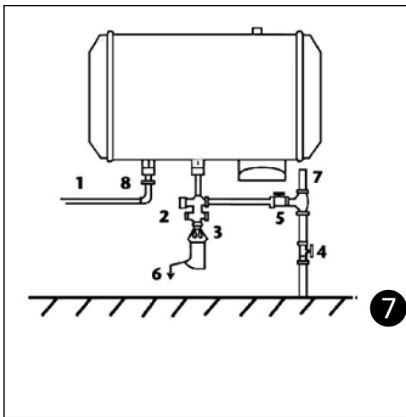
4



5



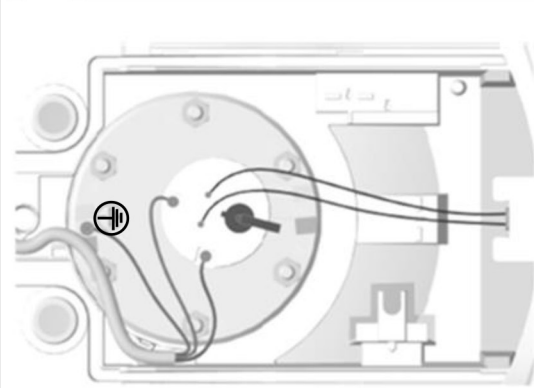
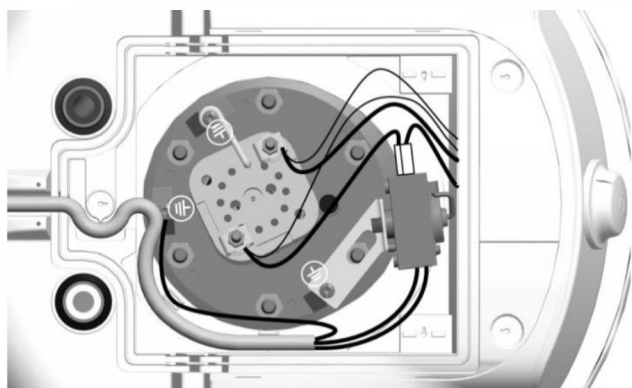
6



ENGLISH (EN)	FRANÇAIS (FR)	ESPAÑOL (ES)	PORTUGUÊS (PT)
<ol style="list-style-type: none"> Hot water tube Safety relief valve Funnel - Syphon Pressure reducing for pressure > 0,5 MPa (5 bar) Stop valve Drain to sewage Cold water pipe Dielectric union 	<ol style="list-style-type: none"> Sortie eau chaude Soupape de sécurité Entonnoir - Siphon Réducteur pour pression supérieure à 0,5 MPa (5 bar) Robinet d'arrêt Évacuation eaux usées (égouts) Conduite eau froide Raccord diélectrique 	<ol style="list-style-type: none"> Tubo de agua caliente Válvula de descarga de seguridad Embudo - Sifón Reductor por presión superior a 0,5 MPa (5 bar) Llave de paso Desagüe al alcantarillado Conducto de agua fría Conexión dieléctrica 	<ol style="list-style-type: none"> Saída de água quente Válvula de alívio de segurança Sifão Redutor de pressão > 0,5 MPa (5 bar) Válvula de corte Drenagem para esgoto Condução de água fria União dielétrica
ITALIANO (IT)	NEDERLANDS (NL)	POLSKI (PL)	MAGYAR (HU)
<ol style="list-style-type: none"> Uscita acqua calda Valvola di sicurezza Imbutto - Sifone Valvola di riduzione pressione se acquedotto > 0,5 MPa (5 bar) Valvola di intercettazione Scarico in fognatura Condotto acqua fredda Raccordo dielettrico 	<ol style="list-style-type: none"> Warmwateruitgang Veiligheidsgroep Geurafsluiter Waterdrukregelaar > 0,5 MPa (5 bar) Afsluiter Afvoer naar riool Koudwaterleiding Diëlektrische verbinding 	<ol style="list-style-type: none"> Przewód ciepłej wody Zawór nadmiarowy bezpieczeństwa Lejek - Syfon Reduktor ciśnienia większego niż 0,5 MPa (5 barów) Zawór odcinający Odływ do kanalizacji Przewód doprowadzania zimnej wody 	<ol style="list-style-type: none"> Melegvíz-cső Biztonsági szelep Tölcsér - szifon Nyomáscsökkentő > 0,5 MPa (5 bar) nyomáshoz Elzárószelep Lefolyó a csatornába Hidegvíz-cső Elektrokémiai szigetelő idom
БЪЛГАРСКИ (BG)	EESTI (ET)	РУССКИЙ (RU)	ČEŠTINA (CS)
<ol style="list-style-type: none"> Изход за гореща вода Възвратно-предпазен клапан Сифон Редуцир вентил (препоръчително при налягане > 0,5 MPa (5 bar)) Спирателен кран Източване към канализацията Вход за студена вода Диелектрична връзка 	<ol style="list-style-type: none"> Kuuma vee toru Kaitsekapp Lehter – sifoon Rõhualandusseadis rõhule > 0,5 MPa (5 bar) Sulgekapp Äravool kanalisatsiooni Külma vee toru Dielektriline ühendusmuuhv 	<ol style="list-style-type: none"> Патрубок выхода горячей воды Предохранительный клапан Дренажная трубка с воронкой Регулятор давления. Устанавливается при давлении свыше 0,5 МПа (5 Бар) в системе Запорный кран Дренажная система Труба подачи холодной воды Изолирующая муфта (диелектрическая) 	<ol style="list-style-type: none"> Trubka na teplou vodu Pojistný ventil Nálevka – sifon Omezovač tlaku pro hodnotu tlaku > 0,5 MPa (5 bar) Uzavírací ventil Vývod do odpadu Potrubi se studenou vodou Přírubový spoj
HRVATSKI (HR)	SHQIP (SQ)	ROMÂNĂ (RO)	LIETUVIŲ K. (LT)
<ol style="list-style-type: none"> Cijev za vruću vodu Šigurnosni ventil Lijevak – Sifon Reduktor tlaka za tlak > 0,5 MPa (5 bara) Zaustavni ventil Ispust u kanalizaciju Cijev za hladnu vodu Dielektrična spojnica 	<ol style="list-style-type: none"> Tubi i ujit të nxehtë Valvula e sigurisë Hinka - sifoni Reduktuesi i presionit > 0,5 MPa (5 bar) Valvula ndalëse Tubi i kullimit për në kanalizim Tubi i ujit të ftohtë Bashkimi dielektrik 	<ol style="list-style-type: none"> Conductă de apă caldă Supapă de eliberare de siguranță Pâlnie - Sifon Reductor de presiune > 0,5 MPa (5 bari) Robinet de închidere Evacuare în canalizare Conductă de apă rece Racord dielectric 	<ol style="list-style-type: none"> Karšto vandens vamzdis Apsauginis viršslėgio vožtuvas Piltuvas – Sifonas Slėgio sumažinimo įrenginys > 0,5 MPa (5 barai) Uždarymo vožtuvas Išleidimo į kanalizaciją anga Šalto vandens vamzdis Dielektrinė mova
SLOVENŠČINA (SL)	LATVIEŠU (LV)	اللغة العربية (AR)	
<ol style="list-style-type: none"> Cev za toplo vodo Izpustni varnostni ventil Lijak – sifon Tlačni reducirni ventil, če tlak presega > 0,5 MPa (5 bar) Zaporni ventil Odtok v kanalizacijo Cev za hladno vodo Dielektrična spojka 	<ol style="list-style-type: none"> Karstā ūdens caurule Drošības vārsti Piltuve-Sifons Par 0,5 MPa (5 bāri) lielāka spiediena samazinātājs Slēgvārsts Noteka uz kanalizāciju Aukstā ūdens caurule Dielektriskais savienojums 	<ol style="list-style-type: none"> 1. أنبوب الماء الساخن 2. صمام التنفيس للأمان 3. قمع - سيفون 4. مُخَفِّض الضَّغَط للضَّغَط < 0,5 ميجاباسكال (5 بار) 5. صمام إيقاف 6. التصريف إلى الصرف الصحي 7. أنبوب الماء البارد 8. وصلة عازلة للكهرباء 	

D325

D400

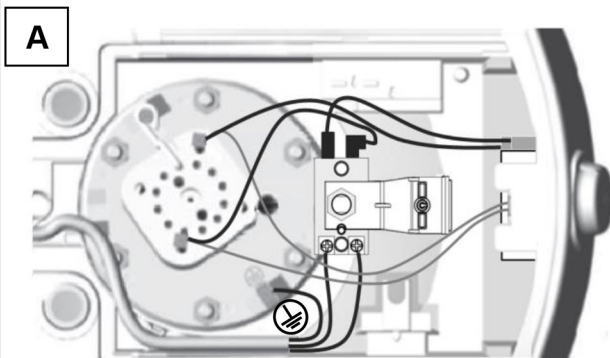
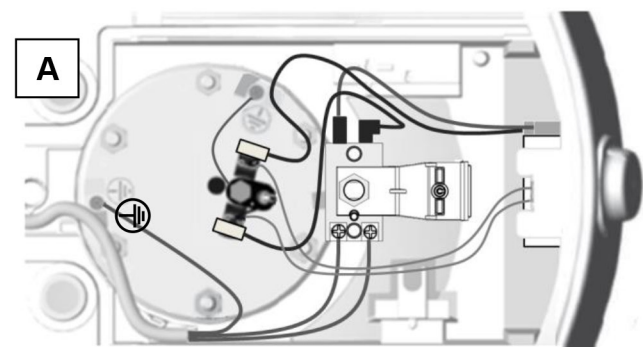


16

17

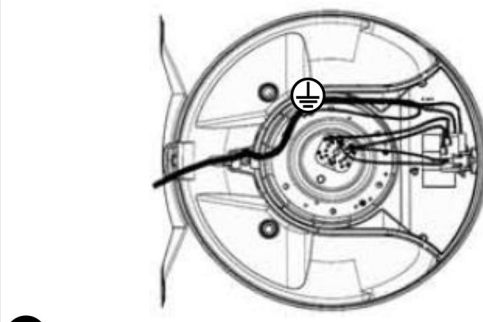
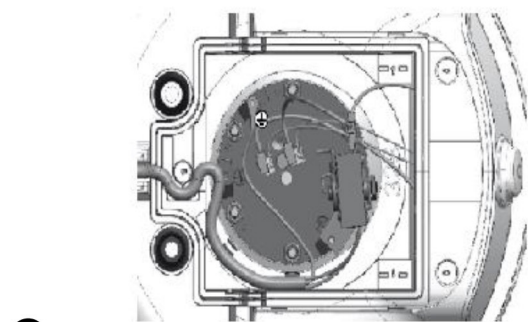
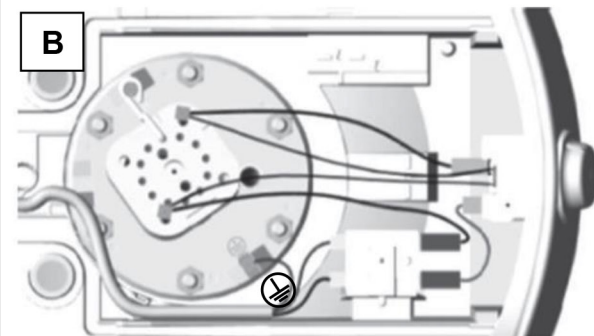
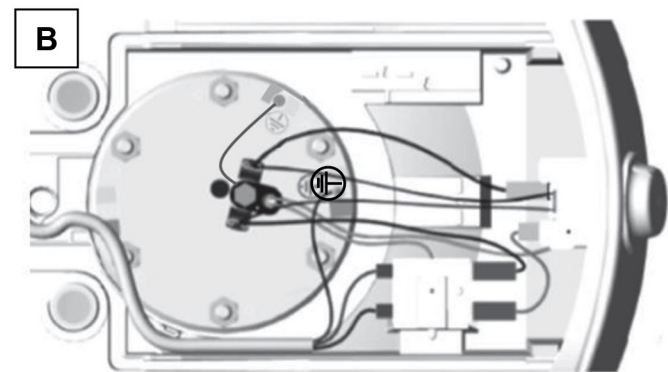
D400 2000/2500/3000

D400 STEATITE



18

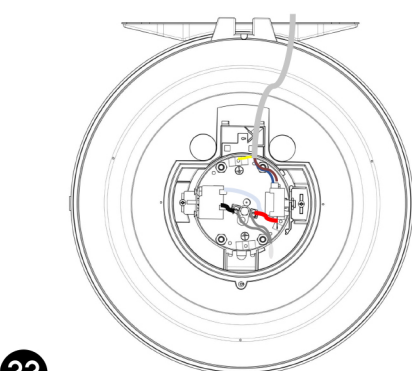
19



20

21

HM N4(E) 2500W




22

WARNINGS: This appliance is not intended for use by persons (including children) with reduced physical, sensory or mental capabilities, or lack of experience and knowledge, unless they have been given supervision or instruction concerning use of the appliance by a person responsible for their safety. Children should be supervised to ensure that they do not play with the appliance. This appliance can be used by children aged from 3 years and above and persons with reduced physical, sensory or mental capabilities or lack of experience and knowledge if they have been given supervision or instruction concerning use of the appliance in a safe way and understand the hazards involved. Children shall not play with the appliance. Cleaning and user maintenance shall not be made by children without supervision. Children aged from 3 to 8 years are only allowed to operate the tap connected to the water heater.

INSTALLATION

1. **CAUTION!** Heavy item, handle with care:

- 1.1 Install the appliance in a room protected from frost. If the appliance is damaged because the safety device has been tampered with, it is not covered by the warranty.
- 1.2 Make sure that the wall on which the appliance is mounted can support the weight of the appliance when filled with water.
- 1.3 If the appliance is to be installed in a room or location where the ambient temperature is constantly above 35 °C, ensure that the room is correctly ventilated.
- 1.4 When installed in a bathroom, do not install the appliance in volumes V1 or V2 (See fig. 1, p.3). If there is not enough space, they can be installed in volume V2 or the highest possible in volume V1 for horizontal models.
- 1.5 Refer to installation figures 1.
- 1.6 This device is intended for use at a maximum altitude of 3000m.
- 1.7 Position the appliance where it can be accessed.
- 1.8 Installation of vertical wall-mounted water heater: To facilitate future replacement of the heating element, leave clear space (300 mm up to 100 liters and 480 mm for higher capacities) below the ends of the appliance pipes.

- 1.9 If the appliance is set up in a suspended ceiling or attic, or above living space, a drain pan must be installed underneath the water heater. A drainage device connected to the sewer system is required.
- 1.10 A new safety device which conforms to current standards (EN 1487 in Europe), pressure 0.7 or 0.8 MPa (7 or 8 bar) and size 1/2" or 3/4" in diameter must be fitted. The safety valve must be protected from frost.
- 1.11 The pressure relief valve drainage device must be activated on a regular basis in order to remove limescale deposits and to check that it is not blocked.
- 1.12 A pressure reducer (not supplied) is required if the supply pressure is greater than 0.5 MPa (5 bar) and will be installed on the main supply pipe.
- 1.13 Connect the safety unit to a discharge pipe, kept in the open air, in a frost-free environment, continuously sloping downwards to drain off the heat-expanded water or to allow for drainage of the water heater.
- 1.14 DRAIN: Turn off the power and cold water supply, open the hot water taps then operate the drainage valve of the safety device.
- 1.15 NOTE: For water heaters under sinks, disconnect the hydraulic unit and turn it upside down to drain.
- 1.16 Be sure to turn off the power before removing the cover, to prevent any risk of injury or electric shock.
- 1.17 Upstream of the appliance, the electrical installation must have an all-pole cut-out device (circuit-breaker, fuse) compliant with the local installation rules in force (30 mA residual current device).
- 1.18 If the cable is damaged, it must be replaced with a cable or a special pack available from the manufacturer or the After-Sales service.
- 1.19 Earthing is mandatory. A special terminal marked  is provided for this purpose.
- 1.20 These appliances comply with directives 2014/30/EU relating to electromagnetic compatibility, 2014/35/EU relating to low voltage, 2015/863/EU and 2017/2102/EU relating to ROHS and 2013/814/EU which completes directive 2009/125/EC relating to ecodesign.

1.21 Do not dispose your water heater in the garbage, but hand it to a place assigned for this purpose (collection point) where it can be recycled.



1.22 The user manual for this appliance can be obtained from the After-Sales service.

1.23 This water heater is fitted with a thermostat with an operating temperature of more than 60°C at its maximum position, capable of reducing growth of legionella bacteria in the tank. Caution! Above 50°C, water could cause immediate scalds. Check the water temperature before taking a bath or shower.

1.24 Regularly check there are no leaks in the pipework.

2. INSTALLATION

- Refer to the corresponding diagrams p. 3 & 4 (see table on right):
- Make sure to keep free space of 300 mm below pipes for the exchange of the heating element.
- For vertical installation of Ø 505 devices if the wall is not strong enough, an optional ground support is available. Nevertheless, it is mandatory to fix the unit to the wall with the top bracket to avoid tipping.
- For horizontal installation, the water connection tubes must always be in a vertical position below the device.

Diameter	Vertical installation	Horizontal installation
Ø255	See fig. under ② & above ③	
Ø338	See fig. under ② & above ③	See fig. ⑥
Ø380 Ø433	See fig. ④ & ⑤	See fig. ⑥
Ø505	See fig. ⑤	

3. HYDRAULIC CONNECTION


- It is necessary to clean the supply piping prior to the hydraulic connection. The connection to the hot water outlet is to be carried out with a cast iron or steel sleeve or a dielectric connector, to avoid corrosion of the pipe (direct contact iron / copper). The use of brass fittings is prohibited.

INSTALLATION PRESSURISED: See fig. ⑦, ⑧, ⑨ & ⑩, p.4. Always install a new safety device on the cold water pipe of the water heater, which comply with the standards (EN 1487 in Europe), with a pressure of 0.7 or 0.8 MPa (7 or 8 bar) according to the nominal pressure, with diameter 1/2" or 3/4" (Table p. 1).

INSTALLATION UNPRESSURISED: See fig. ⑪ & ⑫, p.4. For the supply of a single point of use, the installation must be carried out with an optional special mixer tap.

- **During heating up, water dripping may occur at the valve, do not obstruct the dripping.** The safety device if supplied does not meet the criteria for installation on French territory (Mainland and Overseas territories), do not use it.

4. ELECTRICAL CONNECTION

- Refer to the corresponding diagrams p. 4 & 6 (See fig. (⑬, ⑭, ⑮, ⑯, ⑰, ⑱, ⑲, ⑳, ㉑, ㉒)).
- The water heater can be connected and operated only on AC 230V or on AC 220-240V in accordance with the rating plate of the appliance. Connect the heater with a rigid cable with conductors 2,5mm². Use a standardised channeling (rigid or flexible conduit) until the calibrated housing cover.
- Directly connect devices with a cable or plug. In France, a product with plug is strictly prohibited and cannot be sold and installed.
- Always connect the earth conductor of the cable to the earth ground wire or connect the earth conductor to the appropriate terminal identified by the symbol . This connection is compulsory for safety reasons. The earth wire green - yellow must be longer than those of phases. The installation must be equipped, upstream of the appliance, with a bipolar cut-out device (minimum contact distance of 3 mm fuse, breaker switch). In the case where HYDRAULIC connexions are in insulated material, electrical circuits shall be protected by a differential circuit breaker 30 mA adapted to local standards.
- Thermal cut-off: All products are equipped with a thermostat including a thermal circuit breaker with manual reset, which cuts the power in case of overheating. In case the security trips A: Cut the power before any operation. B: remove the plastic cover. C: Check the electrical connection. D: Reset security. In case of repetitive tripping, replace the thermostat. Never bypass safety or regulation thermostat. Connect the power only on the sockets or thermostat input.

5. STARTING UP

- **NEVER POWER THE WATER HEATER WITHOUT WATER:** Models with an electric heating element will be certainly damaged.
- Fill the tank completely. Before powering up, open the hot water taps, drain the pipes in order to empty the air.
- Check the tightness of the tubes and of the flange seal under the plastic cover. In case of leaking tighten moderately. Check the operating of the hydraulic components and of the safety valve.
- Turn the power on. After 15 to 30 minutes, depending of the capacity of the device, the water should drip from the drain. This is normal and due to the expansion of water. Check connection leaks and seal. During heating and according to the water quality, hot water tanks can make a bubbling noise. This noise is normal and does not indicate any defect of the unit.
- The thermostat is factory set to stop at $65 \pm 5^{\circ}\text{C}$. **If you see a continuous release of steam or hot water from the drain or when opening a faucet, turn off immediately the power to the water heater and call a professional.**

6. MAINTENANCE

- **Before any operation, make sure the power is turned off to avoid any risk of injury or electric shock.**
- **If the safety device is tripped**, cut the power before any operation and have the circuit breaker reset by a professional.
- **The domestic maintenance** must be done by the user. Operate the safety device every month to prevent scaling and check that it's not blocked. Not executing this maintenance may cause damage and the loss of the warranty. **Maintenance by qualified personnel** **A:** Scaling: Remove the scale deposited as mud. Do not scratch or hit the scale sticking to the walls to avoid damage to the coating. Do not forget to change the seal and reassemble the appliance, check that there is no leakage of water after the first heating. **B:** For devices with magnesium anode, change the magnesium anode every two years or as soon as its diameter is less than 10mm. **C:** The change of a sheathed heating element involves draining of the water heater and the change of the seal. Reassemble the heating element, reasonably tight nuts (cross tightening), check that there is no leakage after the first heating-up, and tighten again if necessary. **D:** Drain: Turn off power and cold water supply, Open hot water taps and drain valve of the safety device. For under sink water heater, disconnect the hydraulic tubes and return for emptying.
- The replaceable parts are: thermostat, gasket, heater, magnesium anode, cable, cover, light, and switch. Warranty is subject to the use of original spare parts from manufacturer. **ADVICE TO THE USER:** In case of hard water with $\text{TH} > 20^{\circ}\text{f}$ (>200 ppm), we recommended to soften the water. If a water softener is used, the remaining water hardness should be more than 15°f . In the case of a longer absence and especially in winter, drain your device, and then follow the procedures for starting-up.

7. WARRANTY (EN)

The product must be installed, operated, and maintained in accordance with the state of the art and with the standards in force in the country of installation and the instructions in this manual.

In the European Union, this unit has the legal guarantee granted to consumers according to the directive and regulation in force and according to the legislation applicable in the country of purchase of the product. The legal guarantee is effective from the date of delivery of the goods to the consumer.

In addition to the legal guarantee, some products may have an extended warranty, limited to the free replacement of the tank and components recognized as defective, excluding replacement and transport costs. Refer to the table below. This warranty does not affect any rights you may benefit from as a result of the application of the statutory warranty. It applies in the country of purchase of the product, provided it is also installed on the same territory. Any damage must be reported to the depositary before exchange under warranty, and the unit will remain available to insurance experts and the manufacturer.

		PC / E-SERIES / EGO	O'PRO / O'PRO + / STEATITE / CERAMICS
Minimum recommended garantee	On enamel tank	1 year	1 year
	On the electrical parts (consumables: thermostat, heating elements, magnesium anode)	1 year	1 year
European Union legal guarantee for tank and consumables		2 years	2 years
Maximum recommended warranty if provided by distributors within their territory*	On tank	2+1 years	2+3 years
	On consumables**	2 years	2 years

*in case of guarantee beyond of the European Legal one, the producer recommends the warranty every two years.

**Magnesium protective anode chargeable service checks to extend any tank guarantee beyond 2 years

Exclusions: Wear parts: magnesium anodes ... Equipment which cannot be accessed (access difficult for repair, maintenance or assessment). Devices exposed to abnormal environmental conditions: frost, outdoor weather, water with abnormal chemical characteristics outside drinking water criteria, mains network with power peaks. Equipment installed without observing current standards in the country of installation: absence or incorrect safety device, abnormal corrosion due to incorrect hydraulic fittings (iron/copper contact), incorrect earthing, inadequate cable thickness, non-observance of the connection drawings show in these instructions. Equipment not maintained in accordance with these instructions. Repairs or replacement of parts or components in the equipment not carried out or not authorised by the company responsible of the guarantee. The warranty shall apply to products that are defective and appraised by the company liable for warranty. It is compulsory to keep the products available to the latter.

- To claim under guarantee, contact your installer or dealer. If necessary, contact: SCGA - Tel: (+33)146836000, 2 allée Suzanne Penillault-Crapez 94110 Arcueil (France), who will inform you of what you should do.


AVERTISSEMENTS : Cet appareil n'est pas prévu pour être utilisé par des personnes (y compris les enfants) dont les capacités physiques, sensorielles ou mentales sont réduites, ou des personnes dénuées d'expérience ou de connaissance, sauf si elles ont pu bénéficier, par l'intermédiaire d'une personne responsable de leur sécurité, d'une surveillance ou d'instructions préalables concernant l'utilisation de l'appareil. Il convient de surveiller les enfants pour s'assurer qu'ils ne jouent pas avec l'appareil. Cet appareil peut être utilisé par des enfants âgés d'au moins 3 ans et par des personnes ayant des capacités physiques, sensorielles ou mentales réduites ou dénuées d'expérience ou de connaissance, s'ils (si elles) sont correctement surveillé(e)s ou si des instructions relatives à l'utilisation de l'appareil en toute sécurité leur ont été données et si les risques encourus ont été appréhendés.


Les enfants ne doivent pas jouer avec l'appareil. Le nettoyage et l'entretien par l'utilisateur ne doivent pas être effectués par des enfants sans surveillance. Les enfants de 3 à 8 ans ne sont autorisés à actionner que le robinet relié au chauffe-eau.

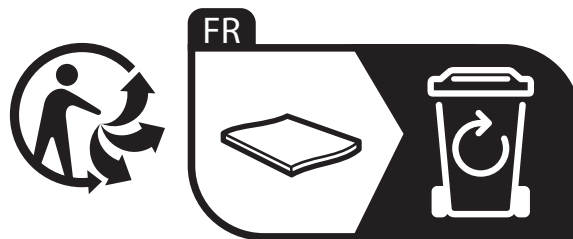
INSTALLATION

1. **ATTENTION :** Produit lourd à manipuler avec précaution.

- 1.1 Installer l'appareil dans un local à l'abri du gel. La destruction de l'appareil par surpression due au blocage de l'organe de sécurité est hors garantie.
- 1.2 S'assurer que la cloison est capable de supporter le poids de l'appareil rempli d'eau.
- 1.3 Si l'appareil doit être installé dans un local ou un emplacement dont la température ambiante est en permanence à plus de 35 °C, prévoir une aération de ce local.
- 1.4 Dans une salle de bain, ne pas installer ce produit dans les volumes V1 et V2 (voir fig. 1, p. 3). Si les dimensions ne le permettent pas, ils peuvent néanmoins être installés dans le volume V2 ou le plus haut possible dans le volume V1 pour un modèle horizontal.
- 1.5 Se reporter aux figures d'installation 1.
- 1.6 Cet appareil est destiné pour être utilisé à une altitude maximale de 3 000 m.
- 1.7 Placer l'appareil dans un lieu accessible.

- 1.8 Fixation d'un chauffe-eau vertical mural : Pour permettre l'échange éventuel de l'élément chauffant, laisser au-dessous des extrémités des tubes du chauffe-eau un espace libre de 300 mm jusqu'à 100 L et 480 mm pour les capacités supérieures.
- 1.9 Il est impératif d'installer un bac de rétention sous le chauffe-eau lorsque celui-ci est positionné dans un faux plafond, des combles ou au-dessus de locaux habités. Une évacuation raccordée à l'égout est nécessaire.
- 1.10 Installer obligatoirement à l'abri du gel un organe de sécurité (ou tout autre dispositif limiteur de pression), neuf, de dimensions ½" ou ¾" et de pression 0,7 ou 0,8 MPa (7 ou 8 bar), sur l'entrée du chauffe-eau, qui respectera les normes locales en vigueur.
- 1.11 Le dispositif de vidange du limiteur de pression doit être mis en fonctionnement régulièrement afin de retirer les dépôts de tartre et de vérifier qu'il ne soit pas bloqué.
- 1.12 Un réducteur de pression (non fourni) est nécessaire lorsque la pression d'alimentation est supérieure à 0,5 MPa (5 bar) - qui sera placé sur l'alimentation principale.
- 1.13 Raccorder l'organe de sécurité à un tuyau de vidange, maintenu à l'air libre, dans un environnement hors gel, en pente continue vers le bas pour l'évacuation de l'eau de dilatation de la chauffe ou l'eau en cas de vidange du chauffe-eau.
- 1.14 VIDANGE : Couper l'alimentation électrique et l'eau froide, Ouvrir les robinets d'eau chaude puis manœuvrer la soupape de vidange de l'organe de sécurité.
- 1.15 REMARQUE : Pour les chauffe-eau sous évier, déconnecter l'hydraulique et le retourner pour la vidange.
- 1.16 Avant tout démontage du capot, s'assurer que l'alimentation est coupée pour éviter tout risque de blessure ou d'électrocution.
- 1.17 L'installation électrique doit comporter en amont de l'appareil un dispositif de coupure omnipolaire (disjoncteur, fusible) conformément aux règles d'installation locales en vigueur (disjoncteur différentiel 30 mA).
- 1.18 Si le câble est endommagé, il doit être remplacé par un câble ou un ensemble spécial disponible auprès du fabricant ou du SAV.
- 1.19 La mise à la terre est obligatoire. Une borne spéciale portant le repère  est prévue à cet effet.

- 1.20 Ces appareils sont conformes aux directives 2014/30/UE concernant la compatibilité électromagnétique, 2014/35/UE concernant la basse tension, 2015/863/UE et 2017/2102/UE concernant la ROHS et au règlement 2013/814/UE complétant la directive 2009/125/CE pour l'écoconception.
- 1.21 Ne pas jeter votre chauffe-eau avec les ordures ménagères, mais le déposer à un endroit prévu à cet effet (point de collecte) où il pourra être recyclé. 
- 1.22 La notice d'utilisation de cet appareil est disponible en contactant le service après-vente.
- 1.23 Ce chauffe-eau est vendu avec un thermostat ayant une température de fonctionnement supérieure à 60 °C en position maximale, capable de limiter la prolifération des bactéries de légionelle dans la cuve. Attention, au-dessus de 50 °C, l'eau peut provoquer immédiatement de graves brûlures. Faire attention à la température de l'eau avant un bain ou une douche.
- 1.24 Contrôler régulièrement l'absence de fuite sur la tuyauterie.



Points de collecte sur www.quefairedemesdechets.fr
Privilégiez la réparation ou le don de votre appareil !

2. INSTALLATION

- Vous référer aux schémas correspondants p. 2 et 3 (tableau ci-contre) :
- Pour l'échange éventuel de l'élément chauffant, laisser au-dessous des extrémités des tubes un espace libre.
- Pour les installations verticales des Ø 505, un trépied est disponible en option si la paroi n'est pas assez solide. Il est néanmoins obligatoire de fixer l'appareil au mur avec l'étrier supérieur pour éviter le basculement.
- Pour les installations horizontales, les tubes de raccordement hydraulique doivent impérativement être en position verticale en-dessous de l'appareil.

Diamètre	Installation à la verticale	Installation à l'horizontale
Ø255	Voir fig. ci-dessous ② et ci-dessus ③	
Ø338	Voir fig. ci-dessous ② et ci-dessus ③	Voir fig. ⑥
Ø380 Ø433	Voir fig. ④ & ⑤	Voir fig. ⑥
Ø505	Voir fig. ⑤	

3. RACCORDEMENT HYDRAULIQUE


- Il est nécessaire de bien nettoyer les tuyauteries d'alimentation avant de procéder au raccordement hydraulique. Le raccordement sur la sortie eau chaude est à réaliser à l'aide d'un manchon fonte, acier, ou raccord diélectrique, afin d'éviter la corrosion de la tubulure (contact direct fer/cuivre). L'utilisation de raccords en laiton est interdite.

MONTAGE SOUS PRESSION : Voir fig. ⑦, ⑧, ⑨ et ⑩, p. 4. Installer obligatoirement un organe de sécurité neuf sur l'entrée du chauffe-eau, qui respectera les normes en vigueur (en Europe EN 1487), de pression 0,7 ou 0,8 MPa (7 ou 8 bar) selon la pression nominale, de dimension 1/2" ou 3/4" (tableau p. 1).

MONTAGE HORS PRESSION : Voir fig. ⑪ et ⑫, p. 4. Pour l'alimentation d'un seul point de puisage, cette installation doit être réalisée avec un robinet mélangeur spécial non fourni.

- **A chaque chauffe, un écoulement se produira au niveau du robinet, ne pas obstruer l'écoulement.** Le groupe de sécurité, lorsqu'il est fourni, ne répond pas aux critères d'installation sur le territoire français (Métropole et DOM TOM), ne pas l'utiliser.

4. RACCORDEMENT ÉLECTRIQUE

- Vous référer aux schémas correspondants p. 4 et 6 (voir fig. (⑬, ⑭, ⑮, ⑯, ⑰, ⑱, ⑲, ⑳, ㉑, ㉒)).
- Le chauffe-eau ne peut être branché et fonctionner que sur un réseau à courant alternatif 230 VAC ou sur la plage 220-240 V~ conformément à la tension indiquée sur l'étiquette signalétique de l'appareil. Raccorder le chauffe-eau par un câble rigide doté de conducteurs de 2,5 mm². Utiliser une canalisation normalisée (conduite rigide ou flexible) jusqu'au capot du boîtier calibré.
- Raccorder directement les appareils munis d'un câble ou d'une prise. En France, un produit avec fiche est strictement interdit et ne peut être commercialisé et installé.
- Raccorder impérativement le conducteur de terre du câble à la terre ou ramener le fil de terre à la borne prévue repérée par le symbole . Ce raccordement est impératif pour des raisons de sécurité. Le fil de terre vert – jaune doit être de longueur supérieure à ceux des phases. L'installation doit être équipée d'un dispositif de coupure bipolaire (fusible avec séparation des contacts de 3 mm minimum, disjoncteur différentiel) en amont de l'appareil. Dans le cas où les canalisations hydrauliques seraient en matériaux isolants, les circuits électriques seront protégés par un disjoncteur différentiel 30 mA adapté aux normes en vigueur.
- Coupe-circuit thermique : Tous les produits sont équipés d'un thermostat comprenant un disjoncteur thermique à réarmement manuel qui coupe le courant en cas de surchauffe. En cas de déclenchement de la sécurité A : Couper le courant avant toute intervention. B : déposer le capot. C : Vérifier le branchement électrique. D : réinitialiser la sécurité. En cas de déclenchements répétés, remplacer le thermostat. Ne jamais shunter le thermostat de sécurité ou de régulation. Brancher l'alimentation uniquement sur les prises ou sur l'entrée du thermostat.

5. MISE EN SERVICE

- **NE JAMAIS METTRE SOUS TENSION LE CHAUFFE-EAU SANS EAU :** les modèles équipés d'un appoint électrique seront très certainement endommagés.
- Remplir complètement la cuve. Avant de mettre l'appareil sous tension, ouvrir les robinets d'eau chaude pour purger les canalisations afin d'évacuer l'air.
- Contrôler l'étanchéité des tubes et du joint de la bride sous le couvercle en plastique. En cas de fuite, serrer légèrement. Contrôler le fonctionnement des composants hydrauliques et de l'organe de sécurité.
- Mettre l'appareil sous tension. Au bout de 15 à 30 minutes, selon la capacité de l'appareil, l'eau doit s'égoutter de l'évacuation. Ce phénomène est normal et dû à la dilatation de l'eau. Contrôler l'étanchéité des raccords et du joint. Pendant la chauffe et en fonction de la qualité de l'eau, les cuves d'eau chaude peuvent émettre un bruit de bouillonnement. Ce bruit est normal et ne traduit aucun défaut de l'appareil.
- Le thermostat est réglé d'usine en butée à 65 ± 5 °C. **Si vous constatez un dégagement continu de vapeur ou d'eau chaude par l'évacuation ou lorsque vous ouvrez un robinet, coupez immédiatement l'alimentation du chauffe-eau et appelez un professionnel.**

6. ENTRETIEN

- Avant toute intervention, s'assurer que l'alimentation électrique est coupée pour éviter tout risque de blessure ou d'électrocution.
- En cas de déclenchement de la sécurité, couper le courant avant toute opération et faire procéder au réarmement du coupe-circuit par un professionnel.
- **L'entretien domestique** doit être assuré par l'utilisateur. Manœuvrer l'organe de sécurité tous les mois pour éviter l'entartrage et vérifier qu'il n'est pas bloqué. La non-exécution de cet entretien peut entraîner une détérioration et la perte de la garantie.
Entretien par un personnel qualifié A : Entartrage : enlever les dépôts de calcaire présents sous forme de boue. Ne pas gratter ou frapper le tartre adhérent aux parois pour ne pas endommager le revêtement. Ne pas oublier de changer le joint d'étanchéité et remonter l'appareil ; vérifier l'absence de fuite d'eau après la première chauffe. **B :** Pour les appareils avec anode magnésium, remplacer l'anode magnésium tous les deux ans, ou dès que son diamètre est inférieur à 10 mm. **C :** Le remplacement d'un élément chauffant gainé implique la vidange du chauffe-eau et le remplacement du joint d'étanchéité. Remonter l'élément chauffant, serrer les écrous suffisamment (serrage croisé), contrôler l'absence de fuite après la première chauffe et resserrer les écrous si nécessaire. **D :** Vidange : couper l'alimentation en électricité et en eau froide, ouvrir les robinets d'eau chaude et le robinet de vidange du groupe de sécurité. Pour un chauffe-eau monté sous un évier, débrancher les tubes hydrauliques et les retourner pour les vider.
- Les pièces pouvant être remplacées sont les suivantes : thermostat, joint d'étanchéité, élément chauffant, anode magnésium, câble, couvercle, voyant et interrupteur. La garantie est conditionnée à l'utilisation de pièces de rechange d'origine constructeur.
CONSEIL A L'USAGER : En cas d'eaux dures avec un TH > 20°f (> 200 ppm), nous recommandons d'adoucir l'eau. En cas d'utilisation d'un adoucisseur d'eau, la dureté de l'eau résiduelle doit être supérieure à 15°f. En cas d'absence prolongée et surtout en hiver, vidangez votre appareil, puis suivez les instructions de mise en service.

7. GARANTIE (FR)

Le produit doit être installé, utilisé et entretenu selon les règles de l'art, conformément aux normes en vigueur dans le pays d'installation et aux indications de cette notice.

Dans l'Union Européenne cet appareil bénéficie de la garantie légale accordée aux consommateurs en application de la réglementation en vigueur et de la législation applicable dans le pays d'achat du produit. La garantie légale prend effet à compter de la délivrance du bien au consommateur.

En plus de la garantie légale, certains produits bénéficient d'une garantie supplémentaire portant uniquement sur l'échange gratuit de la cuve et des composants reconnus défectueux, à l'exclusion des frais de remplacement et de ports. Se reporter au tableau ci-dessous. Cette garantie commerciale n'affecte en rien les droits dont vous pourriez bénéficier des suites de l'application de la garantie légale. Elle s'applique dans le pays d'acquisition du produit, à condition qu'il soit également installé sur ce même territoire. Tout dommage doit être signalé au dépositaire avant l'échange sous garantie, l'appareil devant rester à la disposition des experts en assurance et du fabricant.

		PC / E-SERIES / EGO	O'PRO / O'PRO + / STEATITE / CERAMICS
Garantie minimale recommandée	Cuve émaillée	1 an	1 an
	Parties électriques (consommables : thermostat, éléments chauffants, anode magnésium)	1 an	1 an
Garantie légale de l'Union européenne pour la cuve et les consommables		2 ans	2 ans
Garantie maximale recommandée si le produit est fourni par des distributeurs sur leur territoire*	Cuve	2+1 ans	2+3 ans
	Consommables**	2 ans	2 ans

*En cas de garantie dépassant la garantie légale européenne, le fabricant recommande la garantie tous les deux ans.

**Contrôles facturables de l'anode magnésium de protection pour étendre la garantie de toute cuve au-delà de 2 ans

Exclusions : pièces d'usure : anodes magnésium ... Équipement inaccessible (accès difficile pour la réparation, l'entretien ou l'analyse). Appareils exposés à des conditions d'environnement anormales : gel, intempéries, eau aux caractéristiques chimiques anormales hors critères définis pour l'eau potable, réseau avec pointes de puissance. Équipement installé sans respecter les normes en vigueur dans le pays d'installation : absence de groupe de sécurité ou groupe de sécurité inadapté, corrosion anormale due à des raccords hydrauliques inappropriés (contact fer/cuivre), mise à la terre erronée, épaisseur de câble insuffisante, non-respect des schémas des connexions indiqués dans cette notice. Équipement non entretenu conformément aux présentes instructions. Réparation ou remplacement des pièces ou composants de l'équipement non effectué ou non autorisé par l'entreprise responsable de la garantie. La garantie s'applique aux produits défectueux et expertisés par l'entreprise responsable de la garantie. Il est obligatoire de tenir les produits à la disposition de cette dernière.

- Pour bénéficier de la garantie, prendre contact avec votre installateur ou revendeur. À défaut, contacter : SCGA -

Tél. : (+33)146836000, 2 allée Suzanne Penillault-Crapez 94110 Arcueil (France), qui vous indiquera la marche à suivre.



ADVERTENCIA: Este aparato no está previsto para ser utilizado por personas (incluidos niños) cuyas capacidades físicas, sensoriales o mentales estén reducidas, o por personas sin experiencia ni conocimientos, salvo si se encuentran bajo supervisión o si han recibido instrucciones previas relativas al uso del aparato por parte de una persona responsable de su seguridad. Es conveniente vigilar a los niños para asegurarse de que no jueguen con el aparato. Este aparato puede ser utilizado por niños de 3 años o más y por personas con capacidades físicas, sensoriales o mentales reducidas o por personas sin experiencia ni conocimientos previos siempre que estén supervisados adecuadamente o reciban instrucciones relativas al uso seguro del aparato y siempre que se hayan considerado los posibles riesgos. Los niños no deben jugar con el aparato. La limpieza y el mantenimiento del aparato no deben ser realizados por niños sin supervisión. A los niños de 3 a 8 años solo se les permite abrir el grifo conectado al calentador de agua.

INSTALACIÓN

1. **¡ATENCIÓN!** Objeto pesado, manipularlo con cuidado:

- 1.1 Instale el aparato en una sala protegida de las heladas. La garantía no cubre los daños ocasionados al aparato a causa de la manipulación del dispositivo de seguridad.
- 1.2 Asegúrese de que la pared pueda soportar el peso del aparato lleno de agua.
- 1.3 Asegúrese de que la sala en la que se encuentra su aparato se ventila correctamente si la temperatura ambiente es superior a los 35° C de manera constante.
- 1.4 No instale el aparato en los volúmenes V1 ni V2 en un cuarto de baño (véase fig. 1, p. 3). Si no hay espacio suficiente, puede instalarse en el volumen V2 o en el mayor posible en el volumen V1 en el caso de los modelos horizontales.
- 1.5 Consulte las figuras de instalación 1.
- 1.6 Este aparato está diseñado para ser utilizado a una altitud máxima de 3000 m.

- 1.7 Instale el aparato en un lugar de fácil acceso.
- 1.8 **FIJACIÓN DE UN TERMO VERTICAL MURAL:** para permitir un eventual cambio del elemento calefactor, deje debajo de los extremos de las conexiones del termo un espacio de 300 mm en termos de hasta 100 l y de 480 mm en capacidades superiores.
- 1.9 Instale un recipiente de retención debajo del calentador de agua cuando el aparato se coloque en un falso techo, en un altillo o encima de estancias habitadas. Se requiere un sistema de evacuación conectado al desagüe.
- 1.10 Instale obligatoriamente un dispositivo de seguridad nuevo conforme con las normas en vigor (en Europa, EN 1487), a una presión de 0,7 o 0,8 MPa (7 u 8 bar) y con un diámetro de 1/2" o 3/4". La válvula de seguridad debe estar protegida de las heladas.
- 1.11 Una vez al mes, debe activarse el dispositivo de vaciado de la válvula de alivio de presión para eliminar los depósitos de cal y verificar que no se encuentre bloqueado.
- 1.12 Instale un reductor de presión (no suministrado) en la tubería de entrada principal si la presión de entrada es superior a 0,5 MPa (5 bar).
- 1.13 Conecte la unidad de seguridad a un tubo de desagüe, situado al aire libre y en un lugar sin riesgo de heladas, con pendiente descendiente continua para evacuar el agua de expansión por el calor o el agua en caso de vaciar el calentador.
- 1.14 **VACIADO:** Desconecte la alimentación y la entrada de agua fría, abra los grifos de agua caliente y accione la válvula de seguridad del dispositivo de seguridad.
- 1.15 **NOTA:** En el caso de los calentadores de agua para colocar debajo de los lavabos, desconecte la unidad hidráulica y dele la vuelta para vaciarla
- 1.16 Asegúrese de cortar la alimentación antes de retirar la tapa para evitar cualquier riesgo de lesión o de descarga eléctrica.
- 1.17 En el tramo anterior al dispositivo, la instalación eléctrica debe contar con un interruptor de corte omnipolar (fusible, disyuntor) que cumpla la normativa local vigente sobre instalación (aparatos con una corriente residual de 30 mA).
- 1.18 Si el cable está dañado, debe sustituirse por un cable o un conjunto especial disponible previa solicitud al fabricante o al servicio posventa.

- 1.19 La conexión a tierra es obligatoria. Para ello, se proporciona un borne especial señalado con el símbolo .
- 1.20 Estos dispositivos cumplen las directivas 2014/30/UE relativa a la compatibilidad electromagnética, 2014/35/UE relativa a la baja tensión, 2015/863/UE y 2017/2102/UE relativas a la RoHS y 2013/814/UE, que complementa a la directiva 2009/125/CE relativa al diseño ecológico.
- 1.21 No deseche el calentador de agua con la basura doméstica; entréguelo en un punto previsto a tal efecto (punto de recogida o punto limpio) para que pueda ser reciclado. 
- 1.22 Puede conseguir el manual de utilización de este aparato si lo solicita al servicio posventa.
- 1.23 Este calentador de agua cuenta con un termostato con una temperatura de funcionamiento superior a 60 °C en su posición máxima, capaz de reducir la proliferación de bacterias de legionela en el depósito. Atención Por encima de los 50 °C, el agua puede producir quemaduras de forma inmediata. Compruebe la temperatura del agua antes de bañarse o ducharse.
- 1.24 Compruebe regularmente que no haya fugas en las tuberías

2. INSTALACIÓN

- Consulte los diagramas correspondientes en las págs. 3 y 4 (véase la tabla de la derecha);
- Asegúrese de dejar un espacio de 300 mm por debajo de los tubos para poder cambiar el elemento calefactor.
- Para la instalación vertical de aparatos de Ø 505: si la pared no es lo suficientemente resistente, se dispone de un soporte de suelo opcional. No obstante, es obligatorio fijar la unidad a la pared con el soporte superior para evitar que se caiga.
- Para la instalación horizontal: los tubos de conexión de agua deben estar siempre en posición vertical debajo del aparato.

Diámetro	Instalación vertical	Instalación horizontal
Ø255	Véase fig. bajo ② y arriba ③	
Ø338	Véase fig. bajo ② y arriba ③	Véase fig. ⑥
Ø380 Ø433	Véase fig. ④ y ⑤	Véase fig. ⑥
Ø505	Véase fig. ⑤	

3. CONEXIÓN HIDRÁULICA

- Es necesario limpiar las tuberías de suministro antes de establecer la conexión hidráulica. La conexión a la salida de agua caliente debe realizarse con un manguito de hierro fundido o acero, o con un conector dieléctrico, para evitar la corrosión en el tubo (contacto directo de hierro y cobre). Está prohibido el uso de racores de latón.


INSTALACIÓN PRESURIZADA: Véase fig. ⑦, ⑧, ⑨ y ⑩, p. 4. Instale obligatoriamente un dispositivo de seguridad nuevo en el conducto de agua fría del calentador de agua conforme con las normas en vigor (en Europa, EN 1487), a una presión de 0,7 o 0,8 MPa (7 u 8 bar) según la presión nominal, con un diámetro de 1/2" o 3/4" (Tabla p. 1).

INSTALACIÓN DESPRESURIZADA: Véase fig. ⑪ y ⑫, p. 4. Para el suministro de un único punto de uso, la instalación debe realizarse con un grifo monomando especial opcional.

- Durante el calentamiento, puede ocurrir que gotee agua en la válvula; no obstruya este goteo. El dispositivo de seguridad (si está incluido) no cumple los requisitos para su instalación en territorio francés (continental y territorios de ultramar); no debe utilizarse en dichas ubicaciones.

4. CONEXIÓN ELÉCTRICA

- Consulte los diagramas correspondientes en las págs. 4 y 6 (Véase fig. (⑬, ⑭, ⑮, ⑯, ⑰, ⑱, ⑲, ⑳, ㉑, ㉒)).
- El calentador de agua puede conectarse y manejarse solo con una conexión de 230 V CA o 220-240 V CA, según la placa de características del equipo. Conecte el calentador con un cable rígido con conductores de 2,5 mm². Utilice una canalización estándar (conducto rígido o flexible) hasta la tapa calibrada de la carcasa.
- Conecte directamente los dispositivos con un cable o un conector. En Francia, este tipo de productos con enchufe están estrictamente prohibidos y no se pueden comercializar ni instalar.

- Conecte obligatoriamente a tierra el conductor de tierra del cable o lleve uno de los cables de tierra al borne previsto, debidamente señalado con el símbolo . Esta conexión es obligatoria por motivos de seguridad. El cable de tierra (verde y amarillo) debe ser más largo que los cables de fase. La instalación eléctrica debe incluir, antes del equipo, un aparato de interrupción bipolar (fusible con 3 mm de distancia mínima entre contactos, disyuntor). En caso de que las conexiones HIDRÁULICAS sean de material aislante, los circuitos eléctricos deberán estar protegidos por un disyuntor diferencial de 30 mA adaptado a las normativas locales.
- Corte térmico: Todos los productos están equipados con un termostato que incluye un disyuntor térmico con reinicio manual, que corta el suministro eléctrico si se sobrecalienta el sistema. Si se dispara el mecanismo de seguridad, A: interrumpa el suministro eléctrico antes de efectuar cualquier operación. B: retire la tapa de plástico; C: compruebe la conexión eléctrica; D: restablezca el sistema de seguridad. Si el sistema salta de forma repetida, sustituya el termostato. No trate en ningún caso de eludir el sistema de seguridad del termostato de regulación. Conecte el suministro eléctrico solo en las tomas o en la entrada del termostato.

5. PUESTA EN SERVICIO

- **NO ENCIENDA NUNCA EL CALENTADOR DE AGUA SIN AGUA:** Si lo hace, los modelos con un elemento calefactor eléctrico resultarán dañados con toda seguridad.
- Llene por completo el acumulador. Antes de conectar el suministro eléctrico, abra los grifos de agua caliente y vacíe los tubos para que salga todo el aire.
- Compruebe la estanqueidad de los tubos y de la junta de la brida bajo la tapa de plástico. Si hay fugas, apriete moderadamente las uniones. Compruebe el funcionamiento de los componentes hidráulicos y de la válvula de seguridad.
- Conecte el suministro eléctrico. Transcurridos entre 15 y 30 minutos, en función de la capacidad del dispositivo, el agua debería empezar a gotear del desagüe; esto es algo normal y se debe a la propiedad de expansión del agua. Compruebe la junta de la conexión y que esta no presente fugas. Durante el calentamiento, en función de la calidad del agua, los acumuladores de agua caliente pueden emitir un borboteo audible; este ruido es normal y no apunta a posibles defectos en la unidad.
- El termostato viene ajustado de fábrica para detenerse a 65 ± 5 °C. **Si observa una liberación continua de vapor o agua caliente del desagüe o cuando abre un grifo, desconecte inmediatamente el suministro eléctrico al calentador de agua y contacte con un profesional.**

6. MANTENIMIENTO

- **Antes de realizar cualquier tipo de operación, asegúrese de que el suministro eléctrico esté desconectado para evitar cualquier riesgo de lesión o descarga eléctrica.**
- **Si se activa el dispositivo de seguridad**, corte la corriente eléctrica antes de realizar cualquier tipo de operación y solicite a un profesional que efectúe el rearme del disyuntor.
- **El mantenimiento doméstico** debe ser realizado por el usuario. Haga funcionar el dispositivo de seguridad una vez al mes para evitar las incrustaciones de cal y comprobar que no esté bloqueado. Si no realiza este mantenimiento, podrían producirse daños en el aparato y podría incurrir en la pérdida de la garantía. **Mantenimiento por parte de personal cualificado A:** Descalcificación: Retire los restos depositados en forma de lodos. Para evitar daños en el revestimiento, no raspe ni golpee los depósitos adheridos a las paredes. No olvide cambiar la junta y volver a montar el equipo; compruebe que no haya fugas de agua tras el primer calentamiento. **B:** En dispositivos con ánodo de magnesio, cambie el ánodo de magnesio cada dos años o en cuanto su diámetro se reduzca por debajo de los 10 mm. **C:** Para cambiar un elemento calefactor enfundado, es preciso vaciar el calentador de agua y cambiar la junta. Vuelva a montar el elemento calefactor, ajuste razonablemente las tuercas (apriete cruzado), compruebe que no haya fugas de agua tras el primer calentamiento y vuelva a apretar las uniones, en caso necesario. **D:** Vaciado: Corte la alimentación eléctrica y el suministro de agua fría; abra los grifos de agua caliente y la válvula de vaciado del dispositivo de seguridad. Si el calentador de agua está instalado bajo una encimera, desconecte los tubos hidráulicos y desles la vuelta para vaciarlos.
- Los componentes sustituibles son los siguientes: termostato, junta, resistencia, ánodo de magnesio, cable, tapa, luces e interruptor. La garantía queda sujeta al uso de piezas de recambio originales del fabricante. **CONSEJO PARA EL USUARIO:** Si el agua es de gran dureza (TH >20 °f [>200 p. p. m.]), recomendamos suavizarla. Si se utiliza un descalcificador de agua, la dureza restante debería ser superior a 15 °f. En caso de ausencias prolongadas (especialmente en invierno), vacíe el equipo y siga los procesos de puesta en servicio.

7. GARANTÍA (ES)

Condiciones de garantía específicas para España y Andorra

La instalación, uso y mantenimiento del termo deben ser conformes a las normas nacionales en vigor y a las instrucciones dadas en este manual. Según el Real Decreto-ley 7/2021, de 27 de abril, este aparato otorga al consumidor una garantía legal efectiva, aplicable exclusivamente en el territorio Español, a partir de la fecha de entrega del producto. Además, según la Ley 13/2013, de 13 de junio, de competencia efectiva y protección del consumidor este aparato otorga al consumidor una garantía legal efectiva, aplicable exclusivamente en Andorra, a partir de la fecha de entrega del producto.

En paralelo, estos aparatos disponen de una garantía comercial en la cuba y/o componentes electrónicos según se indica en la tabla adjunta, aplicable a partir de la fecha de entrega del producto. Ambas garantías se aplican en el país de adquisición del producto bajo la condición de que haya sido instalado en el mismo país.

	Serie Concept	Serie Premium	Serie Ellite
Garantía legal	3 años de garantía (*)	3 años de garantía (*)	3 años de garantía (*)
Garantía comercial sobre la cuba sin revisión de ánodo	3 años de garantía	5 años de garantía (**)	7 años de garantía (**)(***)
Garantía comercial sobre los componentes eléctricos			5 años (***)

* O lo que establezca la normativa vigente en el momento de la compra

** En Islas Canarias requerida revisión de ánodo a partir del tercer año de forma anual

*** En los modelos Onix Connect de la serie Ellite para obtener la garantía 7 años en cuba y 5 años en componentes eléctricos, se debe registrar el producto en www.thermor.es. En cualquier otro caso se aplicará una garantía comercial sobre la cuba de 5 años equivalente a la serie Premium.

Para poder disfrutar de la garantía legal, acuda a su vendedor. En caso necesario, podrá contactar directamente con el servicio técnico de Groupe Atlantic.

La garantía comercial no afecta a las medidas correctoras gratuitas establecidas en la Ley a las que tiene derecho el consumidor o usuario en caso de falta de conformidad de los bienes.

Para poder disfrutar de la garantía comercial, póngase en contacto con el servicio técnico de Groupe Atlantic

Servicio de Asistencia Técnica (SAT): Groupe Atlantic España SA. C/ Antonio Machado, 65. 08840 Viladecans.
Tel: 988 14 45 66, mail: callcenter@groupe-atlantic.com.

La sustitución de una pieza no prolonga la duración de la garantía comercial.

Limitaciones de toda garantía: Quedan excluidos de toda garantía:

- El desgaste de las piezas que por su diseño y/o función, tengan un deterioro natural por desgaste y/o degradación en su funcionamiento.
- Los aparatos no examinables (difícil acceso tanto para la reparación como para el mantenimiento o su análisis).
- Los daños que pueda sufrir un aparato a la intemperie, por culpa de las heladas, de la inestabilidad de la corriente eléctrica, o de la calidad del agua.
- El deterioro provocado por la acumulación de residuos (cal, lodos, etc.).
- Si la dureza del agua de red está fuera del rango de 10 °F a 20 °F, es obligatorio, para la garantía, instalar un equipo de tratamiento de agua y mantenerlo adecuadamente.

Condiciones de expiración de toda garantía: La garantía se extinguirá si la instalación del aparato no respeta las normas nacionales en vigor o si la conexión hidráulica es incorrecta. También será motivo de extinción de la garantía, la ausencia o la instalación incorrecta de los dispositivos de seguridad (por ejemplo contra el exceso de presión), la corrosión anormal causada por una mala conexión hidráulica, una inadecuada conexión a tierra, la inadecuación de la sección del cable eléctrico o el no haber seguido el esquema de conexión indicado en este manual. Igualmente será motivo de extinción de la garantía un mantenimiento inadecuado, las reparaciones o recambios no realizados por el servicio técnico del fabricante o no autorizadas por el mismo, así como la desconexión del dispositivo anticorrosión.

Una vez al mes, se debe activar el mecanismo de descarga de la válvula de seguridad, para evitar su calcificación y verificar que no se encuentra bloqueado. Ignorar esta operación podría provocar el deterioro del aparato y la pérdida de la garantía. La garantía no cubre los daños ocasionados por el exceso de presión que pueda causar el bloqueo de la válvula de seguridad.

Los productos presentados en este manual de instrucciones pueden ser modificados según las evoluciones técnicas y las normas en vigor.

Estos dispositivos cumplen con las directivas 2014/30/UE relativas a la compatibilidad electromagnética, las directivas 2014/35/UE relativas a la baja tensión,

La directiva 2011/65/UE para la RoHS y con el Reglamento 2013/814/UE que complementa la Directiva 2009/125/EC sobre diseño ecológico.

PORTUGUÊS (PT)



AVISOS: Este aparelho não deverá ser utilizado por pessoas (incluindo crianças) com capacidades físicas, sensoriais ou mentais reduzidas, nem por pessoas sem experiência ou conhecimentos, salvo se forem supervisionadas ou tiverem recebido instruções prévias sobre a utilização do aparelho por parte de uma pessoa responsável pela sua segurança. As crianças devem ser supervisionadas, de forma a garantir que não brincam com o aparelho. Este aparelho pode ser utilizado por crianças com 3 anos ou mais e por pessoas com capacidades físicas, sensoriais ou mentais reduzidas ou sem experiência ou conhecimentos prévios, caso sejam supervisionadas ou lhes sejam fornecidas instruções relativas à utilização correta do aparelho e estejam cientes dos riscos envolvidos. As crianças não devem brincar com o aparelho. A limpeza e a manutenção do aparelho não devem ser efetuadas por crianças sem supervisão. As crianças entre 3 e 8 anos de idade só podem operar a torneira ligada ao termoacumulador.

INSTALAÇÃO

1. **ATENÇÃO!** produto pesado - manipular com cuidado:

- 1.1 Instale o aparelho num local protegido contra geada. Caso o aparelho seja danificado, devido à adulteração do dispositivo de segurança, tal não será coberto pela garantia.
- 1.2 Assegure-se que a parede na qual o aparelho será montado é capaz de suportar o peso do aparelho cheio de água.
- 1.3 Se o aparelho for instalado num local com uma temperatura ambiente superior a 35 °C, certifique-se de que o local dispõe de uma ventilação apropriada.
- 1.4 Caso pretenda instalar o equipamento numa casa de banho, não instale nos volumes V1 ou V2 (ver fig. 1, p. 3). Se não existir espaço suficiente, o aparelho pode ser instalado no volume V2 ou o mais alto possível no volume V1 para os modelos horizontais.
- 1.5 Consulte as figuras relativas à instalação 1.
- 1.6 Este equipamento deve ser utilizado a uma altitude máxima de 3000 m.
- 1.7 Posicione o aparelho num local de fácil acesso.
- 1.8 Montagem do termoacumulador vertical na parede: para facilitar a substituição da resistência de água futuramente, deixe uma folga (300 mm para até 100 litros e 480 mm para capacidades mais elevadas) por baixo das extremidades da tubagem do aparelho.
- 1.9 Caso o termoacumulador seja instalado num teto falso, num sótão ou por cima de um espaço habitacional, deverá colocar um recipiente de drenagem por baixo do mesmo. É necessário ligar um dispositivo de drenagem ao sistema de esgotos.
- 1.10 Deverá instalar um novo dispositivo de segurança em conformidade com as normas em vigor (EN 1487 na Europa), pressão 0,7 ou 0,8 MPa (7 ou 8 bar) e com 1/2" ou 3/4" de diâmetro. Além disso, a válvula de segurança deverá ser protegida contra a geada.
- 1.11 O dispositivo de drenagem da válvula limitadora de pressão deve ser ativado regularmente, de forma a remover os depósitos de calcário e verificar se não está bloqueado.
- 1.12 É necessário instalar um redutor de pressão (não fornecido) no tubo de alimentação principal caso a pressão de alimentação seja superior a 0,5 MPa (5 bar).
- 1.13 Ligue a unidade de segurança a um tubo de descarga, que deverá ser mantido ao ar livre, num ambiente isento de gelo e con-

tinuamente inclinado para baixo para drenar a água expandida pelo calor ou para permitir a drenagem do termoacumulador.

- 1.14 DRENAGEM: desligue a energia e o abastecimento de água fria, abra as torneiras de água quente e, em seguida, opere a válvula de drenagem do dispositivo de segurança.
- 1.15 NOTA: no caso dos aparelhos montados por baixo de um lavatório ou lava-loiças, desligue a unidade hidráulica e vire-a ao contrário para efetuar a drenagem.
- 1.16 Certifique-se de que desliga a energia antes de remover a tampa, para evitar qualquer risco de ferimentos ou choque elétrico.
- 1.17 A montante do aparelho, a instalação elétrica deve ter um dispositivo de corte unipolar (disjuntor, fusível) conforme com as normas locais de instalação em vigor (dispositivo de corrente residual 30 mA).
- 1.18 Se o cabo estiver danificado, o mesmo deve ser substituído por um cabo ou pacote especial disponível junto do fabricante ou no Serviço de Pós-Venda.
- 1.19 A ligação à terra é obrigatória. É fornecido um terminal especial com a marcação  para o efeito.
- 1.20 Estes equipamentos cumprem as diretivas 2014/30/UE, relativa à compatibilidade eletromagnética, 2014/35/UE relativa à baixa tensão, 2015/863/UE e 2017/2102/UE relativas à RoHS, e 2013/814/EU que complementa a Diretiva 2009/125/CE relativa à conceção ecológica.
- 1.21 Não elimine o termoacumulador no lixo. Entregue-o num local previsto para esta finalidade (ponto de recolha), onde possa ser reciclado. 
- 1.22 Poderá obter o manual de utilizador deste aparelho no Serviço de Pós-Venda.
- 1.23 Este termoacumulador vem equipado com um termóstato com uma temperatura de funcionamento superior a 60 °C na posição máxima, sendo capaz de reduzir a proliferação das bactérias de legionella no depósito. Atenção! A água com uma temperatura superior a 50 °C pode provocar queimaduras imediatas. Verifique sempre a temperatura da água antes de tomar banho.
- 1.24 Verifique regularmente se não existem quaisquer fugas na tubagem.

2. INSTALAÇÃO

- Consulte os diagramas correspondentes na p. 3 e 4 (ver tabela à direita):
- Garanta que mantém um espaço livre de 300 mm por baixo dos tubos para a substituição do elemento aquecedor.
- Para a instalação vertical de dispositivos Ø 505, e se a parede não for suficientemente sólida, está disponível um tripé opcional. No entanto, é obrigatório fixar a unidade à parede com o estribo superior para evitar que tombe.
- Na instalação horizontal, os tubos de ligação hidráulica têm de estar sempre numa posição vertical por baixo do aparelho.

Diâmetro	Instalação vertical	Instalação horizontal
Ø255	Ver fig. abaixo ② e acima ③	
Ø338	Ver fig. abaixo ② e acima ③	Ver fig. ⑥
Ø380 Ø433	Ver fig. ④ e ⑤	Ver fig. ⑥
Ø505	Ver fig. ⑤	

3. LIGAÇÃO HIDRÁULICA


- É necessário limpar a canalização de alimentação antes da ligação hidráulica. A ligação à saída de água quente deve ser realizada com a ajuda de uma união de ferro fundido ou aço ou de um conector dielétrico, para evitar a corrosão do tubo (contacto direto com ferro/cobre). É proibida a utilização de acessórios de latão.

INSTALAÇÃO PRESSURIZADA: Ver fig. ⑦, ⑧, ⑨ e ⑩, p. 4. Instale sempre um novo dispositivo de segurança no tubo de água fria do termoacumulador, que esteja em conformidade com as normas (EN 1487 na Europa), com uma pressão de 0,7 ou 0,8 MPa (7 ou 8 bar), consoante a pressão nominal, com um diâmetro de 1/2" ou 3/4" (tabela p. 1).

MONTAGEM FORA DE PRESSÃO: Ver fig. ⑪ e ⑫, p. 4. Para a alimentação de um único ponto de utilização, a instalação tem de ser realizada com uma torneira misturadora especial opcional.

- **Durante o aquecimento, podem surgir gotas de água na válvula, não as obstrua.** O dispositivo de segurança, quando fornecido, não corresponde aos critérios de instalação no território francês (metrópole e territórios ultramarinos), não o utilize.

4. LIGAÇÃO ELÉTRICA

- Consulte os diagramas correspondentes na p. 4 e 6 (ver fig. ⑬, ⑭, ⑮, ⑯, ⑰, ⑱, ⑲, ⑳, ㉑, ㉒).
- O termoacumulador só pode ser ligado e operado numa rede de corrente alternada de 230 V ou de 220/240 V, de acordo com a placa de características do aparelho. Ligue o termoacumulador com um cabo rígido com condutores de 2,5 mm². Utilize uma conduta normalizada (condutas rígidas ou flexíveis) até à cobertura do alojamento calibrado.
- Ligue os dispositivos diretamente com um cabo ou uma ficha. Em França, um produto com ficha é estritamente proibido e não pode ser comercializado nem instalado.
- Ligue sempre o condutor de terra do cabo ao fio de terra ou ligue o condutor de terra ao terminal adequado, identificado pelo símbolo . Esta ligação é obrigatória por razões de segurança. O fio de terra verde-amarelo deve ser de comprimento superior ao das fases. A instalação tem de ser equipada, a montante do aparelho, com um dispositivo de corte bipolar (distância mínima de contacto de 3 mm ao fusível, disjuntor). Caso as ligações HIDRÁULICAS sejam em material isolado, os circuitos elétricos têm de ser protegidos por um disjuntor diferencial de 30 mA, adaptado às normas locais.
- Limitador de temperatura: Todos os produtos estão equipados com um termóstato dotado de um disjuntor térmico de rearme manual, que corta a alimentação em caso de sobreaquecimento. Se o dispositivo de segurança disparar A: corte a alimentação antes de qualquer operação. B: retire a cobertura plástica. C: verifique a ligação elétrica. D: reinicie o dispositivo de segurança. Em caso de disparos repetitivos, substitua o termóstato. Nunca desative o dispositivo de segurança ou o termóstato de regulação. Ligue a alimentação apenas nas tomadas ou na entrada do termóstato.

5. COLOCAÇÃO EM SERVIÇO

- **NUNCA LIGUE O TERMOACUMULADOR SEM ÁGUA:** modelos com um elemento de aquecimento elétrico vão certamente sofrer danos.
- Encha o depósito na totalidade. Antes de ligar, abra as torneiras de água quente e drene as canalizações para esvaziar o ar.
- Verifique a estanqueidade dos tubos e da junta de flange por baixo da cobertura de plástico. Em caso de fuga, aperte moderadamente. Verifique o funcionamento dos componentes hidráulicos e da válvula de segurança.
- Ligue a alimentação elétrica. Após 15 a 30 minutos, dependendo da capacidade do dispositivo, a água deve gotejar do dreno. Isto é normal e deve-se à expansão da água. Verifique a existência de fugas na junta e vede. Durante o aquecimento, e consoante a qualidade da água, os depósitos de água quente podem fazer um ruído borbulhante. Este ruído é normal e não indica nenhum defeito na unidade.
- O termóstato é regulado na fábrica para parar aos 65 ± 5°C. **Se observar uma libertação contínua de vapor ou água quente da drenagem ou ao abrir uma torneira, desligue imediatamente a alimentação do termoacumulador e contacte um profissional.**

6. MANUTENÇÃO

- **Antes de efetuar qualquer operação, certifique-se de que a alimentação está desligada, de forma a evitar qualquer risco de ferimentos ou choque elétrico.**
- **Em caso de acionamento do dispositivo de segurança,** desligar a alimentação antes de qualquer operação e solicitar a reinicialização do disjuntor por um profissional.
- **A manutenção doméstica** deve ser efetuada pelo utilizador. Opere o dispositivo de segurança todos os meses para prevenir depósitos de calcário e verifique se não está bloqueado. O não respeito desta manutenção pode causar danos e levar à perda de garantia. **Manutenção por pessoal qualificado A:** Calcificação: remova os depósitos de calcário. Não raspe ou bata no calcário das paredes para evitar danificar o revestimento. Não se esqueça de trocar o vedante e voltar a montar o aparelho, verifique a inexistência de fugas de água depois do primeiro aquecimento. **B:** Para os aparelhos com ânodo de magnésio, substitua o ânodo de magnésio a cada dois anos ou quando o seu diâmetro for inferior a 10 mm. **C:** A substituição de um elemento aquecedor avariado envolve a drenagem do termoacumulador e a substituição do vedante. Volte a montar o elemento aquecedor, aperte razoavelmente as porcas (aperto cruzado), verifique se não existem fugas após o primeiro aquecimento e, se necessário, volte a apertar. **D:** Drenagem: Desligue a alimentação e a água fria, abra as torneiras de água quente e a válvula de drenagem do dispositivo de segurança. Para drenar um termoacumulador sob a pia, desconecte os tubos hidráulicos e volte a esvaziar.

- As peças substituíveis são: termóstato, junta, elemento aquecedor, ânodo de magnésio, cabo, tampa, lâmpada e interruptor. A garantia está sujeita ao uso de peças de substituição originais do fabricante. **RECOMENDAÇÃO PARA O UTILIZADOR:** Em caso de água dura com TH > 20 ° f (>200 ppm), recomendamos que esta seja amaciada. Se for usado um descalcificador, a dureza da água restante deve ser superior a 15 ° f. Em caso de ausências prolongadas, especialmente durante o inverno, drene o seu aparelho e siga as instruções para a colocação em serviço.

7. GARANTIA (PT)

A instalação, utilização e manutenção das termoacumuladores elétricos devem estar em conformidade com as normas nacionais em vigor e com as instruções fornecidas neste manual. De acordo com a Lei n.º 24/96, de 31 de julho, este equipamento oferece ao consumidor uma garantia legal, aplicável exclusivamente em território português.

Paralelamente, estes aparelhos dispõem de garantia comercial na cuba e/ou componentes elétricos, conforme se indica quadro anexo, aplicável a partir da data de entrega do produto. Ambas as garantias são aplicáveis no país de compra do produto sob a condição de ter sido instalado no mesmo país

	Serie Concept	Serie Premium	Serie Elite
Garantia legal	3 anos de garantia (*)	3 anos de garantia (*)	3 anos de garantia (*)
Garantia comercial da cuba sem revisão do ânodo	3 anos de garantia	5 anos de garantia	7 anos de garantia (**)
Garantia comercial dos componentes elétricos			5 anos (**)

* Ou o que estiver estabelecido pela lei em vigor, no momento da compra.

** Nos modelos Onix Connect da série Elite para obter a garantia de 7 anos na cuba e de 5 anos nos componentes elétricos, o produto deve ser registado em www.thermor.pt. Em qualquer outro caso, aplicar-se-á uma garantia comercial de 5 anos na cuba, equivalente à série Premium

Para usufruir da garantia legal, dirija-se ao seu vendedor. Se necessário, pode contactar diretamente o suporte técnico do Groupe Atlantic.

A garantia comercial não afeta as medidas de correção gratuitas estabelecidas na Lei, a que o consumidor ou utilizador tem direito, em caso de falta de conformidade dos bens.

Para usufruir da garantia comercial, contacte o Serviço Técnico do Groupe Atlantic.

(PT) Serviço de Assistência Técnica (SAT): Grupe Atlantic Portugal. Av D. João II nº 50, 4º piso, Parque das Nações, 1990-0995 Lisboa. Tel: 211 307 032, correio eletrónico: satptpro@groupe-atlantic.com

A substituição de uma peça não prolonga a duração da garantia comercial.

Limitações de todas as garantias: Ficam excluídos de qualquer garantia:

- O desgaste das peças que, pelo seu desenho e/ou função, têm uma deterioração natural devido ao desgaste e/ou à degradação do seu funcionamento.
- Dispositivos não examináveis (de difícil acesso tanto para reparação como para manutenção ou análise).
- Danos que um aparelho pode sofrer por intempérie, devido ao gelo, à instabilidade da corrente elétrica ou à qualidade da água.
- A deterioração causada pela acumulação de resíduos (calcário, lamas, etc.).
- Se a dureza da água da rede estiver fora do intervalo de 10°F a 20°F, é obrigatório, para a garantia, instalar um equipamento de tratamento de água e mantê-lo a funcionar corretamente.

Condições de cessação de todas as garantias: A garantia extingue-se se a instalação do aparelho não cumprir as regras nacionais em vigor ou se a ligação hidráulica estiver incorreta. Será também motivo de extinção da garantia, a ausência ou instalação incorreta de dispositivos de segurança (por exemplo, contra a pressão excessiva), corrosão anormal causada por uma má ligação hidráulica, uma ligação à terra inadequada, a inadequação da secção do cabo elétrico ou não ter sido seguido o esquema de ligação indicado neste manual. Iguamente serão motivos de cessação da garantia, uma manutenção inadequada, a reparação ou substituição de peças não realizadas pelo serviço técnico do fabricante ou não autorizadas por este, bem como a desconexão do dispositivo anti corrosão.

Uma vez por mês, deve ser ativado o mecanismo de descarga da válvula de segurança, para evitar a sua calcificação, e verificar que não se encontra bloqueado. Ignorar esta operação pode provocar a deterioração do aparelho e a perda de garantia. A garantia não cobre danos causados por excesso de pressão que possam ser causados pelo bloqueio da válvula de segurança.


Os produtos apresentados neste manual de instruções podem ser modificados de acordo com a evolução técnica e as normas em vigor.


Estes equipamentos estão em conformidade com as Diretivas 2014/30/UE relativas à compatibilidade eletromagnética, Diretiva 2014/35/UE sobre baixa tensão, Diretiva 2011/65/UE relativa ao ROHS e ao Regulamento 2013/814/UE que complementa a Diretiva 2009/125/CE sobre o eco design.

AVVERTENZE: Questo apparecchio non è previsto per essere utilizzato da persone [ivi compresi i bambini] con capacità fisiche, sensoriali o mentali ridotte, o da persone prive di esperienza o conoscenze, salvo abbiano potuto beneficiare di supervisione o istruzioni preliminari concernenti l'utilizzazione dell'apparecchio da parte di una persona responsabile della loro sicurezza. Si raccomanda di sorvegliare i bambini per sincerarsi che non giochino con l'apparecchio. L'apparecchio non può essere utilizzato da bambini di età inferiore ai 3 anni, da persone con capacità psicofisiche ridotte, o da persone prive di esperienza o conoscenze specifiche, senza supervisione o senza aver preso conoscenza delle istruzioni tecniche e dei possibili rischi. I bambini non possono giocare con il dispositivo. Pulizia e manutenzione non devono essere attuate da bambini senza supervisione. Ai bambini dai 3 agli 8 anni è consentito azionare solo ed esclusivamente il rubinetto collegato allo scaldacqua.

INSTALLAZIONE

1. **ATTENZIONE!** Prodotto pesante, manipolare con cautela:
 - 1.1 Installare l'apparecchio in un locale protetto dal gelo. Se l'apparecchio si danneggia perché il dispositivo di sicurezza è stato manomesso, il prodotto non è più coperto dalla garanzia.
 - 1.2 Sincerarsi che la parete sulla quale viene montato l'apparecchio sia in grado di supportarne il peso quando questo è pieno d'acqua.
 - 1.3 Se l'apparecchio deve essere installato in un locale o in un luogo in cui la temperatura ambiente è costantemente superiore a 35°C, assicurarsi che la zona sia ben aerata.
 - 1.4 Nei bagni, non installare l'apparecchio nei volumi V1 o V2 (v. fig. 1, p.3). Se le dimensioni non consentono alternative, è possibile installarlo nel volume V2 o, in caso di modello orizzontale, il più in alto possibile nel volume V1.
 - 1.5 Fare riferimento alle figure di installazione 1.
 - 1.6 Questo dispositivo può essere utilizzato fino a un'altitudine massima di 3000 m.
 - 1.7 Installare in un luogo accessibile.
 - 1.8 Nota per l'installazione di un modello di scaldacqua a parete verticale: Per agevolare la futura sostituzione dell'elemento riscaldante, lasciare libero uno spazio adeguato (300 mm fino a 100 l e 480 mm per capacità superiori) sotto le estremità dei due tubi di collegamento dell'apparecchio.

- 1.9 Se l'apparecchio è montato in un controsoffitto, sotto il tetto o sopra una zona giorno, è obbligatorio installare una vaschetta di raccolta sotto lo scaldacqua. Occorre prevedere un dispositivo di scarico da collegare allo scarico.
- 1.10 Deve essere installato un nuovo dispositivo di sicurezza conforme agli attuali standard (in Europa EN 1487), con pressione 0,7 o 0,8 MPa (7 o 8 bar) e un diametro pari a 1/2" o 3/4". La valvola di sicurezza deve essere protetta dal gelo.
- 1.11 Girare regolarmente il rubinetto di scarico della valvola limitatrice di pressione per rimuovere depositi di calcare e controllare che non sia bloccato.
- 1.12 Quando la pressione erogata supera i 0,5 MPa (5 bar) è richiesta l'installazione di un riduttore di pressione (non fornito) sul tubo di alimentazione principale.
- 1.13 Collegare il dispositivo di sicurezza con un tubo di scarico, tenuto all'aperto, in un luogo al riparo dal gelo, in continua pendenza verso il basso per lo scarico dell'acqua di dilatazione del riscaldamento o dell'acqua in caso di scarico dello scaldacqua.
- 1.14 SCARICO: scollegare l'alimentazione elettrica e l'alimentazione d'acqua fredda, aprire i rubinetti dell'acqua calda e quindi azionare la valvola di scarico del dispositivo di sicurezza.
- 1.15 NOTA: Per i modelli sotto lavello, disconnettere i collegamenti idraulici e svuotarlo.
- 1.16 Prima di procedere allo smontaggio della calotta, verificare che l'alimentazione sia disinserita, per evitare il rischio di lesioni o di scosse elettriche.
- 1.17 A monte dell'apparecchio, l'impianto elettrico deve essere dotato di un dispositivo di interruzione di tutti i poli (disgiuntore, fusibile) conforme alle norme di installazione locali in vigore (interruttore differenziale 30 mA).
- 1.18 Se il cavo di alimentazione è danneggiato, deve essere sostituito con un cavo o un apposito pacchetto fornito dal costruttore o da un rivenditore autorizzato.
- 1.19 La messa a terra è obbligatoria. A tale scopo è previsto un apposito morsetto contrassegnato .

- 1.20 Questo dispositivo è conforme alla direttiva 2014/30/UE relativa alla compatibilità elettromagnetica, 2014/35/UE relativa alla bassa tensione, 2015/863/UE e 2017/2102/UE relative alla direttiva ROHS e 2013/814/UE che integra la direttiva 2009/125/CE relativa all'Ecodesign.
- 1.21 Non smaltire lo scaldacqua insieme ai rifiuti domestici, ma consegnarlo presso un apposito centro (punto di raccolta) dove potrà essere riciclato. 
- 1.22 Il manuale di istruzioni del presente apparecchio è disponibile contattando il servizio post-vendita.
- 1.23 Lo scaldacqua è dotato di un termostato caratterizzato da una temperatura di funzionamento superiore a 60°C nella sua posizione massima, in modo da poter ridurre la crescita di batteri della legionella nel serbatoio. Attenzione! A temperature superiori ai 50°C l'acqua potrebbe provocare ustioni istantanee. Prima del bagno o della doccia, controllare sempre la temperatura dell'acqua.
- 1.24 Controllare regolarmente che non vi siano perdite nelle tubature.

2. INSTALLAZIONE

-Fare riferimento ai diagrammi corrispondenti di p.3 e 4 (vedere la tabella sulla destra):

-Accertarsi di mantenere sotto ai tubi uno spazio di rispetto di 300 mm per poter consentire la sostituzione dell'elemento termico.

- Per l'installazione verticale di dispositivi con Ø 505, se la parete non è sufficientemente robusta è disponibile un supporto da pavimento opzionale. Tuttavia, al fine di evitare ribaltamenti è obbligatorio fissare l'unità alla parete mediante il supporto superiore.

- Per l'installazione orizzontale, i tubi di collegamento dell'acqua devono sempre essere in posizione verticale sotto il dispositivo.

Diametro	Installazione verticale	Installazione orizzontale
Ø255	Vedere fig. sotto ② e sopra ③	
Ø338	Vedere fig. sotto ② e sopra ③	Vedere fig. ⑥
Ø380 Ø433	Vedere fig. ④ e ⑤	Vedere fig. ⑥
Ø505	Vedere fig. ⑤	

3. COLLEGAMENTO IDRAULICO

- È necessario pulire le tubazioni di approvvigionamento prima di effettuare il collegamento idraulico. Il collegamento all'uscita dell'acqua calda deve essere effettuato con l'ausilio di un manicotto in ghisa, in acciaio, oppure mediante un connettore dielettrico, al fine di evitare la corrosione della tubazione (contatto diretto ferro/rame). È vietato l'impiego di raccordi in ottone.

INSTALLAZIONE PRESSURIZZATA: Vedere fig. ⑦, ⑧, ⑨ e ⑩, p.4. Installare sempre un nuovo dispositivo di sicurezza sul tubo dell'acqua fredda dello scaldabagno, che rispetti gli standard (EN 1487 in Europa), con una pressione di 0,7 o 0,8 MPa (7 o 8 bar), in funzione della pressione nominale, con diametro di 1/2" o 3/4" (Tabella a p.1).

INSTALLAZIONE NON IN PRESSIONE: Vedere fig. ⑪ e ⑫, p.4. Per l'alimentazione in un unico punto di utilizzo, l'installazione deve essere effettuata con un miscelatore speciale opzionale.


- **Durante il riscaldamento è possibile osservare dell'acqua che gocciola sulla valvola: ciò non va assolutamente ostacolato.** Se il dispositivo di sicurezza, se fornito, non risponde ai criteri di installazione sul territorio francese (continentale e dei territori d'oltremare): non utilizzarlo.

4. COLLEGAMENTO ELETTRICO

- Fare riferimento ai diagrammi corrispondenti di p.4 e 6 (Vedere fig. (⑬, ⑭, ⑮, ⑯, ⑰, ⑱, ⑲, ⑳, ㉑, ㉒)).

- Lo scaldacqua può essere collegato e utilizzato esclusivamente su una rete a corrente alternata di 230V o a corrente alternata di 220-240V, in base a quanto indicato sulla targhetta dati presente sull'apparecchio. Collegare il riscaldatore con un cavo rigido dotato di conduttori da 2,5 mm². Utilizzare una canalizzazione standard (tubatura rigida o flessibile) fino coperchio dell'alloggiamento calibrato.

- Collegare i dispositivi direttamente con un cavo o con una spina. In Francia, un prodotto con spina è rigorosamente vietato e non può essere venduto né installato.

- Collegare sempre il conduttore di messa a terra del cavo al filo di messa a terra, oppure riportare il conduttore di messa a terra sul relativo morsetto contrassegnato con il simbolo . Questo collegamento è obbligatorio per motivi di sicurezza. Il filo di messa a terra verde-giallo deve avere una lunghezza superiore a quella delle fasi. L'installazione deve prevedere, a monte dell'apparecchio, un dispositivo di interruzione bipolare (distanza minima dei contatti pari a 3 mm, fusibile, disgiuntore). Nel caso in cui i collegamenti IDRAULICI siano realizzati in materiale isolante, i circuiti elettrici dovranno essere protetti da un interruttore differenziale da 30 mA adattato alle normative locali.

- Protezione termica: Tutti i prodotti sono dotati di un termostato con interruttore automatico termico a riarmo manuale, che disinserisce l'alimentazione in caso di surriscaldamento. In caso di scatto della sicurezza A: Disinserire la corrente prima di effettuare qualsiasi operazione. B: smontare il coperchio in plastica. C: Verificare il collegamento elettrico. D: Ripristinare la sicurezza. In

caso di ripetute attivazioni, procedere alla sostituzione del termostato. Non cortocircuitare mai la sicurezza o il termostato di regolazione. Effettuare il collegamento dell'alimentazione esclusivamente intervenendo sulle prese o sull'ingresso del termostato.

5. AVVIAMENTO

- **NON ALIMENTARE MAI UNO SCALDACQUA ELETTRICO SENZA ACQUA:** I modelli dotati di un elemento termico elettrico subiranno certamente danni.
- Riempire completamente il serbatoio. Prima dell'accensione, aprire i rubinetti dell'acqua calda e sfiatare i tubi, in modo da rimuovere tutta l'aria presente.
- Verificare la tenuta dei tubi e della guarnizione della flangia sotto il coperchio in plastica. Qualora siano presenti perdite, serrare moderatamente. Verificare il funzionamento dei componenti idraulici e della valvola di sicurezza.
- Mettere l'apparecchio sotto tensione. Dopo 15 - 30 minuti, in base alla capacità del dispositivo, l'acqua dovrebbe gocciolare dallo scarico. Questo fenomeno è normale ed è dovuto alla dilatazione dell'acqua. Verificare la tenuta e la presenza di eventuali perdite sui collegamenti. Durante il riscaldamento e in base alla qualità di acqua, i serbatoi di acqua calda possono emettere un gorgoglio. Questo rumore è normale e non indica alcun difetto dell'apparecchio.
- Il termostato è impostato in fabbrica per arrestarsi a $65 \pm 5^\circ\text{C}$. **Se si rileva una fuoriuscita continua di vapore o di acqua calda dallo scarico o aprendo un rubinetto, scollegare l'alimentazione elettrica dello scaldacqua e far intervenire un professionista.**

6. MANUTENZIONE

- **Prima di qualunque operazione, verificare che l'alimentazione sia disinserita, per evitare il rischio di lesioni o di elettrocuzione.**
- **In caso di attivazione del dispositivo di sicurezza**, prima di qualsiasi operazione interrompere l'alimentazione e far ripristinare l'interruttore automatico da un professionista.
- **La manutenzione domestica** deve essere effettuata da parte dell'utente. Azionare una volta al mese il dispositivo di sicurezza per evitarne l'incrostazione e verificare che non sia bloccato. Il mancato rispetto di questa manutenzione può comportare un danneggiamento e la perdita della garanzia. **Manutenzione da personale qualificato A:** Formazione di calcare: Rimuovere il calcare depositato come fango. Non raschiare o battere il calcare aderente alle pareti poiché si rischia di danneggiare il rivestimento. Non dimenticare di sostituire la guarnizione di tenuta e rimontare l'apparecchio, verificare l'assenza di perdite d'acqua dopo il primo riscaldamento. **B:** Per i dispositivi con anodo di magnesio, sostituire quest'ultimo ogni due anni, o non appena il suo diametro risulterà inferiore a 10mm. **C:** La sostituzione di un elemento termico schermato implica lo svuotamento dello scaldacqua e la sostituzione della guarnizione. Rimontare l'elemento termico serrando adeguatamente i dadi (serraggio a croce), accertarsi dell'assenza di perdite dopo il primo riscaldamento e, se, necessario riserrare. **D:** Scarico: Disinserire l'alimentazione elettrica e la fornitura di acqua fredda e, quindi, aprire i rubinetti dell'acqua calda e la valvola di scarico del dispositivo di sicurezza. Per gli scaldacqua sottolavello, scollegare i tubi idraulici e ruotarli per scaricarli.
- Le parti sostituibili sono: termostato, guarnizione, riscaldatore, anodo di magnesio, cavo, copertura, luce e interruttore. La garanzia è condizionata dall'utilizzo di pezzi di ricambio originali del costruttore. **CONSIGLIO PER L'UTILIZZATORE:** Nel caso di un'acqua che presenti tenori di $\text{TH} > 20^\circ\text{f}$ ($>200\text{ ppm}$), si raccomanda di trattarla. Nel caso venga utilizzato un addolcitore, la durezza rimanente dell'acqua deve rimanere superiore a 15°f . In caso di assenze prolungate e specialmente durante l'inverno, scaricare il dispositivo e, quindi, seguire le procedure per l'avvio.

7. GARANZIA (IT)

Il prodotto deve essere installato, utilizzato e sottoposto a manutenzione a regola d'arte, conformemente alle normative in vigore nel paese d'installazione ed alle indicazioni del presente manuale.

In Unione Europea, questo apparecchio beneficia della garanzia legale accordata ai consumatori ai sensi della direttiva e del regolamento in vigore nonché ai sensi della legislazione applicabile nel paese in cui il prodotto è stato acquistato. La garanzia legale risulta in vigore a partire dalla data di consegna dei beni al consumatore.

Oltre alla garanzia legale, alcuni prodotti possono beneficiare di una garanzia supplementare che comporta unicamente la sostituzione gratuita del serbatoio e dei componenti riconosciuti come difettosi, ad esclusione delle spese di sostituzione e di trasporto. Far riferimento alla tabella qui sotto. Questa garanzia non influisce sui diritti di cui si può beneficiare a seguito dell'applicazione della garanzia legale. Si applica nel paese di acquisto del prodotto, a condizione che venga installato nello stesso territorio. Qualsiasi guasto dovrà essere dichiarato al depositario prima della sostituzione in garanzia, e l'apparecchio rimarrà a disposizione dei periti assicurativi e del costruttore.

Per beneficiare della garanzia, mettersi in contatto con il proprio installatore o rivenditore. Nel caso non fosse disponibile, contattare: Groupe Atlantic Italia SpA Tel: (+39)0546911300, Fax: (+39)0546646150, info.atlanticitalia@groupe-atlantic.com, Via Pana 92 – Faenza (RA) – Italia che vi indicherà la procedura da seguire.

Garanzia legale	2 anni
Garanzia commerciale supplementare su serbatoi e smalto dell'elemento termico	+3 anni*

Tipo / Riferimento:		TIMBRO DEL RIVENDITORE
Numero di serie:		
Nome e indirizzo del cliente:		

*ulteriori +3 anni esclusi per le gamme EGO



Sono esclusi dalla garanzia: Le parti d'usura: anodi di magnesio... Gli apparecchi non verificabili (difficilmente accessibili per la riparazione, la manutenzione o la verifica). Gli apparecchi esposti a delle condizioni ambientali anomale: gelo, intemperie, acqua con caratteristiche chimiche anomale e al di fuori dei criteri di potabilità, alimentazione elettrica caratterizzata da sovratensioni. Apparecchi installati non rispettando le norme in vigore nei paesi d'installazione: assenza o cattivo montaggio degli organi di sicurezza contro la sovrappressione, corrosione dovuta ad un raccordo idraulico incorretto (contatto ferro/rame), messa a terra incorretta, sezione del cavo elettrico insufficiente, nessun rispetto degli schemi di collegamento indicati nelle presenti istruzioni. Gli apparecchi non sottoposti a manutenzione conformemente alle seguenti istruzioni. Le riparazioni o sostituzioni di pezzi o componenti dell'apparecchio non realizzate o autorizzate dall'azienda responsabile della garanzia. La garanzia si applica solo ai prodotti verificati e riconosciuti difettosi dall'azienda responsabile della garanzia. È obbligatorio che i prodotti restino a disposizione di quest'ultima.

WAARSCHUWINGEN: Dit apparaat is niet geschikt om te worden gebruikt door personen (kinderen inbegrepen) met verminderde lichamelijke, zintuigelijke of geestelijke vermogens of door personen zonder ervaring of kennis behalve in het geval zij door degene die voor hun veiligheid verantwoordelijk is, in het oog worden gehouden of vooraf de nodige instructies hebben gekregen met betrekking tot het gebruik van het apparaat. Kinderen moeten in het oog gehouden worden om te voorkomen dat zij met het apparaat gaan spelen. Dit apparaat mag niet worden gebruikt door kinderen onder de 3 jaar of door personen met beperkte zintuigelijke of geestelijke vermogens of met weinig ervaring en onvoldoende kennis, tenzij dit geschiedt onder toezicht of als de aanwijzingen over de veilige bediening gegeven werden en de risico's hiervan werden begrepen. Kinderen mogen niet met het apparaat spelen. De reiniging of het onderhoud van het apparaat mag niet door kinderen zonder toezicht gebeuren. Kinderen in de leeftijd van 3 tot 8 jaar mogen alleen de kraan gebruiken die aangesloten is op de boiler.

INSTALLATIE

1. **OPGELET!** Zwaar product dat met zorg moet worden behandeld:
 - 1.1 Installeer het toestel in een vorstvrije ruimte. Als het apparaat beschadigd raakt doordat er geknoeid is met de veiligheidsvoorziening, komt de garantie te vervallen.
 - 1.2 Controleer vóór de bevestiging of de muur sterk genoeg is om het gewicht van het met water gevulde apparaat te dragen.
 - 1.3 Als het apparaat moet worden opgesteld in een ruimte of op een plaats waar de omgevingstemperatuur constant hoger is dan 35°C, dan moet er voor voldoende ventilatie gezorgd worden.
 - 1.4 Dit apparaat mag in een badkamer niet in de volumes V1 en V2 worden geïnstalleerd (zie afb. 1, p.3). Indien er niet voldoende plaats is, kan deze wel in volume V2 geïnstalleerd worden of in het hoogste volume V1 voor een horizontaal model.
 - 1.5 Zie de montageschema's 1.
 - 1.6 Dit product is bedoeld voor gebruik tot op een maximale hoogte van 3000 m.
 - 1.7 Installeer het apparaat op een toegankelijke plaats.
 - 1.8 Verticale bevestiging van een wandboiler: om de eventuele vervanging van het verwarmingselement mogelijk te maken, moet onder de uiteinden van de buizen van het apparaat een ruimte vrijgelaten worden van 300 mm tot 100 l en 480 mm voor grotere capaciteiten.

- 1.9 Er moet een opvangbak geïnstalleerd worden onder de boiler wanneer deze geplaatst wordt in een verlaagd plafond, op de zolder of boven bewoonde ruimte. De opvangbak moet met de rioleering verbonden zijn.
- 1.10 Er moet een nieuw veiligheidselement geïnstalleerd worden dat voldoet aan de huidige normen (in Europa EN 1487), met een drukbereik van 0,7 of 0,8 MPa (7 of 8 bar) en een diameter van 1/2" of 3/4". De veiligheidsklep moet tegen vorst worden beschermd.
- 1.11 Het aftapsysteem van de drukbegrenzer moet regelmatig worden geactiveerd om kalkaanslag te verwijderen en om te controleren of het systeem niet geblokkeerd is.
- 1.12 Er is een reduceerventiel (niet meegeleverd) nodig als de toevoerdruk hoger is dan 0,5 MPa (5 bar), die op de hoofdaansluiting aangesloten dient te worden.
- 1.13 Sluit de veiligheidsunit aan op een afvoerslang, met afloop naar buiten, in een vorstvrije omgeving. Deze moet aflopend zijn voor de afvoer van het water bij uitzetting tijdens opwarming of bij aftapping van de boiler.
- 1.14 AFTAPPEN: Schakel de stroom en de toevoer van koud water uit, open de warmwaterkraan en bedien vervolgens de afvoerklep van het veiligheidselement.
- 1.15 OPMERKING: Voor boilers onder de gootsteen, ontkoppel de hydraulische eenheid en zet deze op zijn kop om af te tappen
- 1.16 Controleer altijd eerst of de stroom is afgesloten voordat het deksel wordt verwijderd om het risico op letsels of elektrocutie te voorkomen.
- 1.17 De installatie moet vóór het toestel worden uitgerust met een alpolige verbrekingsinrichting (stroomonderbreker, zekering) overeenkomstig de plaatselijk geldende installatievoorschriften (aardlekschakelaar van 30 mA).
- 1.18 Indien de aansluitkabel beschadigd is, moet deze vervangen worden door een speciale kabel of aansluitset die bij de fabrikant of de afdeling After Sales verkrijgbaar is.
- 1.19 Het apparaat moet geaard worden. Hiervoor is een speciale aansluitklem aanwezig met het symbool .

- 1.20 Dit apparaat voldoet aan de richtlijn 2014/30/EU inzake elektromagnetische compatibiliteit, laagspanningsrichtlijn 2014/35/EU, richtlijnen 2015/863/EU en 2017/2102/EU inzake RoHS en richtlijn 2009/125/EG inzake ecologisch ontwerp van energieverbruikende producten.
- 1.21 Gooi uw boiler niet bij het afval, maar breng hem binnen bij een erkend inzamelpunt zodat hij kan worden gerecycleerd. 
- 1.22 De gebruiksaanwijzing van dit toestel is verkrijgbaar bij de serviceafdeling. 
- 1.23 Deze boiler is uitgerust met een thermostaat waarvan de maximale bedrijfstemperatuur hoger is dan 60 °C om de groei van legionellabacteriën in het vat tegen te gaan. Pas op! Bij een watertemperatuur van meer dan 50 °C kunnen er onmiddellijk ernstige brandwonden ontstaan. Controleer daarom de watertemperatuur voordat u een bad of douche neemt.
- 1.24 De leidingen moeten regelmatig op lekkage worden gecontroleerd.

2. INSTALLATIE

- Raadpleeg de betreffende schema's p.3 & 4 (tabel hiernaast):
- Laat een vrije ruimte van 300 mm onder de leidingen van het toestel zodat u, indien nodig, het verwarmingselement kan vervangen.
- De verticale wandmodellen Ø 505 kunnen op een staander (optie) gemonteerd worden indien de wand niet stevig genoeg is. In dit geval dient u eveneens de bovenste beugel van de boiler aan de wand vast te maken om eventueel kantelen te vermijden.
- Bij de horizontale wandmodellen moeten de waterleidingen verticaal naar beneden gericht zijn.

Diameter	Verticale wandmodellen	Horizontale wandmodellen
Ø255	Zie fig. onder ② & boven ③	
Ø338	Zie fig. onder ② & boven ③	Zie fig. ⑥
Ø380	Zie fig. ④ & ⑤	Zie fig. ⑥
Ø433		
Ø505	Zie fig. ⑤	

3. HYDRAULISCHE AANSLUITING

- De toevoerleidingen moeten voor de aansluiting grondig gereinigd worden. De aansluiting op de warmwateruitgang moet gebeuren met een mof in gietijzer, staal of met een diëlektrische koppeling om corrosie van de leiding te voorkomen (direct contact ijzer/koper). Een messing koppeling is verboden.

MONTAGE TOESTELLEN ONDER DRUK: Zie fig. ⑦, ⑧, ⑨ & ⑩, p.4. U moet op de koudwaterleiding van de boiler een nieuwe veiligheidsgroep installeren volgens de geldende normen qua druk (in Europa EN1487), met een nominale druk van 0,7 of 0,8 MPa (7 of 8 bar), 1/2" of 3/4" (tabel p.1).

MONTAGE DRUKLOZE TOESTELLEN: Zie fig. ⑪ & ⑫, p.4. Met slechts één aftappunt. Een speciale mengkraan (niet meegeleverd) moet geïnstalleerd worden.

- **Bij opwarming van het water, zal er steeds wat water uit de kraan druppelen. Belemmer dit niet.** De meegeleverde veiligheidsgroep beantwoordt niet aan de installatiecriteria voor Frankrijk en de Franse overzeese gebieden, gelieve deze niet te gebruiken.

4. ELEKTRISCHE AANSLUITING

- Raadpleeg de betreffende elektrische schema's p.4 & 6 (zie fig. (⑬, ⑭, ⑮, ⑯, ⑰, ⑱, ⑲, ⑳, ㉑, ㉒)).
- De waterverwarmer kan alleen aangesloten en gebruikt worden op een AC 230 V of 220-240 V elektriciteitsnetwerk, afhankelijk van het voltage dat wordt aangegeven op het typeplaatje van het product. Sluit de boiler aan met een stijve kabel, sectie 2,5mm². Gebruik hiervoor een gewone kabelbuis (recht of geribbeld) tot aan de uitsparing in het deksel.
- Sluit toestellen met een kabel of een stekker rechtstreeks aan. In Frankrijk is een product met stekker streng verboden en kan het dus niet worden verkocht en geïnstalleerd.
- Sluit de aardingsgeleider van de kabel altijd aan op de aardingsdraad of sluit de aardingsgeleider aan op de juiste, door het symbool aangegeven aansluiting (⊕). Deze aansluiting is veiligheidshalve verplicht. De aardingskabel (groen/geel) moet langer zijn dan de fasekabels. De installatie moet vóór het toestel ook voorzien zijn van een bipolaire stroomonderbreker (contactopeningen minimaal 3 mm: zekering, hoofdschakelaar). Als de HYDRAULISCHE leidingen uit een isolerend materiaal zijn, moet het elektrisch circuit beveiligd worden door een differentieelschakelaar van 30mA, aangepast aan de geldende normen.
- Thermische beveiliging: al onze producten zijn voorzien van een thermostaat met thermische beveiliging met manuele reset die bij oververhitting de elektriciteitstoevoer naar de boiler afsluit. In geval van uitschakeling van de veiligheid A: Zet eerst de spanning af vooraleer u verdere handelingen uitvoert. B: Verwijder het plastic deksel. C: Controleer de elektrische aansluiting. D: Reset de thermische beveiliging. Bij herhaald uitschakelen vervangt u de thermostaat. Let erop dat u de veiligheid of de thermostaat nooit kortsluit. De elektrische voeding van het toestel mag enkel via de klemmenstrook of de thermostaatingang gebeuren.

5. INBEDRIJFSTELLING

- **NOOIT EEN LEGE BOILER ONDER SPANNING BRENGEN:** Hierdoor beschadigt u de elektrische weerstand onherroepelijk.
- Vul het vat volledig. Draai vooraleer u het toestel onder spanning brengt, de warmwaterkranen open en ontlucht de leidingen volledig.
- Controleer of de buizen en de dichting van het deurtje onder de kap leklicht zijn. In geval van lekken, draai zachtjes aan. Controleer of de hydraulische componenten en de veiligheidsklep goed werken.
- Breng het toestel onder spanning. Na 15 à 30 minuten, afhankelijk van de capaciteit van het toestel, begint er water te druppelen uit de aftapopening. Dit is volkomen normaal en komt door de uitzetting van het water. Controleer of de aansluitingen en de dichting leklicht zijn. Tijdens de opwarming en afhankelijk van de waterkwaliteit, is het mogelijk dat u een borrelend geluid hoort. Dit is volkomen normaal en duidt niet op een defect aan het toestel.
- De thermostaat is standaard ingesteld op $65 \pm 5^\circ\text{C}$. **Wanneer er continu stoom of kokend water uit de aftapopening komt of wanneer u een kraan opendraait, verbreek dan onmiddellijk de elektriciteitstoevoer naar uw boiler en contacteer een vakman.**

6. ONDERHOUD

- **Controleer steeds, vooraleer u handelingen uitvoert of de elektriciteitstoevoer uit staat om verwondingen of elektrocutie te voorkomen.**
- **Als het veiligheidsapparaat wordt geactiveerd**, moet de stroomvoorziening voor elk gebruik worden uitgeschakeld en moet de stroomonderbreker door een vakman worden gereset.
- **Onderhoud door de gebruiker.** Bedien 1 keer per maand de aftapklep van de hydraulische veiligheidsgroep om verkalking te vermijden en controleer of deze niet belemmerd is. Het niet opvolgen van dit voorschrift kan tot schade en verlies van garantie leiden. **Onderhoud door de vakman A:** Ontkalking: Verwijder de kalkneerslag. De kalk aan de wanden niet afschrapen of loskloppen, u zou de laag kunnen beschadigen. Vergeet niet de dichtingsring te vernieuwen. Monteer alles terug. Controleer na de eerste opwarmbeurt of er geen lekken zijn. **B:** Toestel met magnesiumanode: vervang de magnesiumanode om de 2 jaar of wanneer de diameter kleiner dan 10 mm geworden is. **C:** Wanneer u een geblindeerde weerstand moet vervangen, moet de boiler leeggemaakt en de dichtingsring vervangen worden. Installeer het verwarmingselement en draai de schroeven goed aan (kruiselings). Controleer na de eerste opwarmbeurt of er geen lekken zijn. Draai indien nodig de schroeven verder aan. **D:** Aftappen: Sluit eerst de elektriciteitstoevoer en de koudwatertoevoer af en open de warmwaterkranen. Bedien de aftapklep van de veiligheidsgroep. Voor boilers onder de gootsteen, maak de waterleidingen los en laat ze leeglopen.
- Volgende onderdelen kunnen vervangen worden: thermostaat, dichting, verwarmingselement, magnesiumanode, aansluitkabel, deksel, verklikkerlichtje, schakelaar. Gebruik enkel de originele onderdelen van de fabrikant om van de garantie te kunnen blijven genieten. **ADVIES VOOR DE GEBRUIKER:** Het is raadzaam water met een hardheid van meer dan 20°f (>200 ppm) te behandelen. Als u een waterontharder gebruikt, moet de hardheid boven 15°f blijven. Bij langdurige afwezigheid en vooral in de winter, tapt u het toestel af. Volg de procedure van inbedrijfstelling.

7. GARANTIE (NL)

Het product moet worden geïnstalleerd, bediend en onderhouden overeenkomstig de stand van de techniek en de normen die gelden in het land van installatie en de instructies in deze handleiding.

In de Europese Unie heeft dit product de wettelijke garantie voor de consument overeenkomstig de geldende richtlijn en regelgeving en volgens de wetgeving die geldt in het land waar het product is aangekocht. De wettelijke garantie geldt vanaf de datum waarop de goederen aan de consument zijn geleverd.

Bovenop de wettelijke garantie kunnen sommige producten een uitgebreide garantie hebben die beperkt is tot het gratis vervangen van de tank en componenten die defect worden geacht, met uitsluiting van kosten voor vervanging en transport. Raadpleeg de onderstaande tabel. Deze garantie heeft geen invloed op enige rechten die u kunt hebben in toepassing van de wettelijke garantie. Die is van toepassing in het land waar het product is aangeschaft, mits het ook in hetzelfde land is geïnstalleerd. Eventuele schade moet aan de verkoper worden gemeld voordat een vervanging onder garantie plaatsvindt en de unit moet beschikbaar blijven voor verzekeringsexperts en de fabrikant.

		PC / E-SERIE / EGO	O'PRO / O'PRO + / STEATJET / KERAMIEK
Minimaal aanbevolen garantie	Op emailen tank	1 jaar	1 jaar
	Op de elektrische onderdelen (verbruiksartikelen: thermostaat, verwarmingselementen, magnesiumanode)	1 jaar	1 jaar
Wettelijke garantie van de Europese Unie voor tank en verbruiksartikelen		2 jaar	2 jaar
Maximaal aanbevolen garantie indien verstrekt door distributeurs binnen hun rayon*	Op tank	2 +1 jaar	2 +3 jaar
	Op verbruiksartikelen**	2 jaar	2 jaar

*In het geval van een garantie die verder gaat dan de Europese wettelijke garantie, beveelt de producent de garantie om de twee jaar aan

**Servicecontrole tegen betaling van de magnesiumanode om de garantie op de tank na 2 jaar te verlengen
Uitsluitingen: Slijtgedelen: magnesiumanodes....Uitrusting die niet toegankelijk is (moeilijke toegang voor reparatie, onderhoud of beoordeling). Apparatuur blootgesteld aan abnormale omgevingsomstandigheden: vorst, weersinvloeden, water met abnormale chemische kenmerken naast drinkwatercriteria, elektriciteitsnet met stroompieken. Uitrusting geïnstalleerd zonder inachtneming van de geldende normen in het land van installatie: ontbrekende of onjuiste veiligheidsvoorzieningen, abnormale corrosie door onjuiste hydraulische aansluitingen (ijzer/kopercontact), onjuiste aarding, onvoldoende kabeldikte, het niet in acht nemen van de aansluitschema's die in deze handleiding worden getoond. Uitrusting die niet in overeenstemming met deze instructies wordt onderhouden. Reparatie of vervanging van onderdelen of componenten van de uitrusting die niet zijn uitgevoerd of goedgekeurd door het bedrijf dat verantwoordelijk is voor de garantie. De garantie geldt voor producten die defect zijn en die zijn beoordeeld door het bedrijf dat verantwoordelijk is voor de garantie. Het is verplicht om de producten voor laatstgenoemde beschikbaar te houden.

- Neem contact op met uw installateur of dealer om een beroep te doen op de garantie. Neem zo nodig contact op met: SCGA - Tel: (+33)146836000, 2 allée Suzanne Penillault-Crapez 94110 Arcueil (France), om te weten wat u moet doen.


OSTRZEŻENIA: Urządzenie nie jest przewidziane do użytkowania przez osoby (w tym dzieci), których możliwości fizyczne, sensoryczne lub mentalne są ograniczone lub osoby bez doświadczenia lub wiedzy, z wyjątkiem sytuacji kiedy są nadzorowane przez osoby odpowiedzialne za ich bezpieczeństwo lub korzystały z nadzoru lub udzielono im instrukcji dotyczących obsługi urządzenia. Należy zapewnić odpowiedni nadzór nad dziećmi, aby uniemożliwić im zabawę urządzeniem. To urządzenie może być używane przez dzieci powyżej 3. roku życia oraz osoby ze zmniejszonymi możliwościami fizycznymi, sensorycznymi lub mentalnymi pod nadzorem osób dorosłych lub pod warunkiem że instrukcja obsługi urządzenia została tym osobom odczytana i przez nie zrozumiana w celu zminimalizowania zagrożeń. Dzieci nie powinny bawić się urządzeniem. Czyszczenia oraz konserwacji urządzenia nie mogą dokonywać dzieci bez nadzoru osób dorosłych. Dzieciom w wieku od 3 do 8 lat wolno używać wyłącznie kranu podłączonego do ogrzewacza wody.

MONTAŻ

1. **UWAGA!** Uwaga: Ciężkie elementy - należy zachować ostrożność.
- 1.1 Zamontować urządzenie w pomieszczeniu, które jest zabezpieczone przed mrozem. W przypadku naruszenia zabezpieczenia, urządzenie nie będzie już objęte gwarancją.
- 1.2 Należy upewnić się, czy ściana, na której jest planowany montaż urządzenia, wytrzyma obciążenie, gdy ogrzewacz będzie napełniony wodą.
- 1.3 Jeśli urządzenie ma być montowane w pomieszczeniu lub miejscu, w którym temperatura przekracza stale 35°C , należy zapewnić prawidłową wentylację pomieszczenia.
- 1.4 W przypadku instalacji w łazience, nie instalować urządzenia w strefach V1 lub V2 (patrz rys. 1, str.3). Jeżeli brakuje miejsca, można zainstalować urządzenie w strefie V2 lub na maksymalnej wysokości w strefie V1 w przypadku modeli poziomych.
- 1.5 Patrz schemat instalacji 1.
- 1.6 To urządzenie jest przewidziane do użytku na maksymalnej wysokości 3000 m.
- 1.7 Umieścić urządzenie w miejscu, w którym będzie do niego łatwy dostęp.
- 1.8 Instalacja ogrzewacza wody montowanego pionowo na ścianie: aby umożliwić wymianę elementu grzewczego należy pozostawić wolną przestrzeń pod końcami rur urządzenia (300 mm dla urzą-

- dzeń do 100 litrów i 480 mm w przypadku większych pojemności).
- 1.9 Konieczne jest zastosowanie tacy ociekowej pod ogrzewaczem wody, jeśli jest on zamontowany w suficie podwieszanym, pod dachem albo powyżej pomieszczeń mieszkalnych. Podłączenie do kanalizacji jest obowiązkowe.
 - 1.10 Należy zainstalować nowe urządzenie zabezpieczające zgodne z aktualnie obowiązującymi normami (EN 1487 w Europie) oraz wymogami dotyczącymi ciśnienia 0,7 lub 0,8 MPa (7 lub 8 bar) i wielkości średnicy $\frac{1}{2}$ " lub $\frac{3}{4}$ ". Zawór bezpieczeństwa musi być zabezpieczony przed mrozem.
 - 1.11 Należy regularnie uruchamiać urządzenie do opróżniania nadmiarowego zaworu bezpieczeństwa, aby usunąć osad z kamienia i sprawdzić, czy zawór nie jest zablokowany.
 - 1.12 Jeżeli ciśnienie wody doprowadzanej do ogrzewacza przekracza 0,5 MPa (5 barów), na głównym przewodzie doprowadzającym należy obowiązkowo zamontować reduktor ciśnienia (nie jest dostarczany w zestawie).
 - 1.13 Podłączyć zawór bezpieczeństwa do kanalizacji na wolnej przestrzeni, w miejscu zabezpieczonym przed mrozem i w położeniu stale nachylonym w dół, aby odprowadzić wodę o objętości zwiększonej pod wpływem wysokiej temperatury lub aby umożliwić opróżnienie ogrzewacza wody.
 - 1.14 OPRÓŻNIANIE: Wyłączyć zasilanie oraz dopływ zimnej wody. Otworzyć kran z ciepłą wodą, uruchamiając jednocześnie zawór spustowy urządzenia zabezpieczającego.
 - 1.15 UWAGA: W ogrzewaczach wody montowanych pod zlewozmywakiem należy odłączyć zespół hydrauliczny i odwrócić go w celu opróżnienia.
 - 1.16 Przed zdjęciem osłony należy pamiętać o wyłączeniu zasilania, aby zapobiec ryzyku obrażeń lub porażenia prądem.
 - 1.17 Instalacja elektryczna przed urządzeniem musi być wyposażona w urządzenie odcinające wszystkie bieguny (wyłącznik samoczynny, bezpiecznik) zgodne z obowiązującymi lokalnymi przepisami instalacyjnymi (wyłącznik różnicowoprądowy 30 mA).
 - 1.18 Jeśli kabel zasilający jest uszkodzony, należy zastąpić go kablem fabrycznym lub kablem zalecanym przez producenta albo serwis posprzedażowy.
 - 1.19 Koniecznie podłączyć uziemienie. Do tego celu jest przewidziany

specjalny zacisk z oznaczeniem .

- 1.20 Te urządzenia są zgodne z postanowieniami dyrektywy 2014/30/UE dotyczącej kompatybilności elektromagnetycznej, dyrektywy niskonapięciowej 2014/35/UE, dyrektywy 2015/863/UE i 2017/2102/UE dotyczącej ROHS oraz dyrektywy 2013/814/UE, która uzupełnia dyrektywę 2009/125/WE dotyczącą ekoprojektu.
- 1.21 Nie wyrzucać ogrzewacza wody do śmieci, lecz oddać do wyznaczonego w tym celu miejsca (punkt zbiórki odpadów), gdzie może zostać poddany recyklingowi. 
- 1.22 Instrukcję urządzenia można uzyskać po skontaktowaniu się z działem obsługi sprzedaży.
- 1.23 Ogrzewacz wody jest wyposażony w termostat o temperaturze roboczej powyżej 60°C w ustawieniu maksymalnym, która jest w stanie ograniczyć rozwój bakterii legionella w zbiorniku. Uwaga! Woda o temperaturze powyżej 50°C może natychmiast spowodować poważne oparzenia. Przed kąpielą lub prysznicem należy sprawdzić temperaturę wody.
- 1.24 Należy regularnie sprawdzać, czy w instalacji nie występują nieszczelności.

2. MONTAŻ

- Zapoznać się z odpowiednimi schematami na str. 3 i 4 (patrz tabela z prawej strony):
- Zostawić 300 mm wolnej przestrzeni pod przewodami na wypadek konieczności wymiany elementu grzewczego.
- W przypadku instalacji pionowych urządzeń o Ø 505, jeśli ściana nie jest wystarczająco wytrzymała, można zastosować opcjonalną podpórkę podłogową. Niemniej jednak, należy koniecznie przymocować urządzenie do ściany za pomocą górnego uchwytu, aby uniknąć przewrócenia.
- W przypadku instalacji poziomych rury przyłącza wody muszą zawsze znajdować się pionowo poniżej urządzenia.

Średnica	Instalacja pionowa	Instalacja pozioma
Ø255	Patrz rys. pod ② i powyżej ③	
Ø338	Patrz rys. pod ② i powyżej ③	Patrz rys. ⑥
Ø380 Ø433	Patrz rys. ④ i ⑤	Patrz rys. ⑥
Ø505	Patrz rys. ⑤	

3. PODŁĄCZENIE HYDRAULICZNE

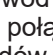
- Przed wykonaniem przyłączy hydraulicznych niezbędne jest wyczyszczenie rur zasilających. Przyłącze wylotowe ciepłej wody jest wykonywane złączką stalową lub ze stali żeliwnej lub złączką dielektryczną, aby uniknąć korozji rur (żelazo/miedź do bezpośredniego kontaktu). Nie wolno stosować mocowań mosiężnych.

INSTALACJA POD CIŚNIENIEM: Patrz rys. ⑦, ⑧, ⑨ i ⑩, str.4. Zawsze instalować nowe urządzenie zabezpieczające spełniające odpowiednie normy (EN 1487 w Europie) na rurze zimnej wody ogrzewacza, o średnicy 1/2" lub 3/4", przy ciśnieniu 0,7 lub 0,8 MPa (7 lub 8 barów) zgodnie z ciśnieniem nominalnym (tabela str.1).

INSTALACJA BEZCIŚNIENIOWA: Patrz rys. ⑪, ⑫, str.4 Do zasilania pojedynczego stanowiska instalacja musi zostać wykonana z opcjonalnym specjalnym kurkiem mieszającym.

- **Podczas podgrzewania z zaworu może kapać woda, nie należy zatykać miejsca wycieku.** Urządzenie zabezpieczające, o ile jest dołączone, nie spełnia wymogów instalacji na terenie Francji (kontynentalnej oraz w terytoriach zamorskich), więc nie należy go używać.

4. PODŁĄCZENIE ELEKTRYCZNE

- Zapoznać się z odpowiednimi schematami na str.4 i 6 (patrz rys. (13, 14, 15, 16, 17, 18, 19, 20, 21, 22)).
- Ogrzewacz wody może być podłączony i używany wyłącznie w sieci prądu zmiennego 230 V lub 220-240 V, zgodnie z informacją na tabliczce znamionowej urządzenia. Podłączyć ogrzewacz sztywnym przewodem o żyłach 2,5 mm². Zastosować standardowe korytko (przewód sztywny lub elastyczny) do skalibrowanej pokrywy obudowy.
- Podłączać urządzenia bezpośrednio przy pomocy przewodu lub wtyczki. We Francji, stosowanie produktu z wtyczką jest surowo zabronione - nie można go sprzedawać ani montować.
- Zawsze podłączać przewód uziemiający kabel do uziemienia bądź przewód uziemiający do odpowiedniego zacisku oznaczonego symbolem . To połączenie jest obowiązkowe ze względów bezpieczeństwa. Zielono-żółty przewód uziemiający musi być dłuższy od przewodów fazowych. Instalacja musi być wyposażona, przed ogrzewaczem, w dwubiegunowe urządzenie odcinające (minimalna odległość styków bezpiecznika 3 mm, wyłącznik automatyczny). W przypadku, gdy połączenia HY-

DRAULICZNE są wykonane z izolowanego materiału, obwody elektryczne muszą być zabezpieczone wyłącznikiem różnicowoprądowym 30 mA dostosowanym do lokalnych standardów.

- Wyłącznik termiczny: Wszystkie produkty są wyposażone w termostat zawierający wyłącznik termiczny z ręcznym resetowaniem, który odcina zasilanie w przypadku przegrzania. W przypadku zadziałania zabezpieczenia A: odłączyć zasilanie przed wykonaniem jakiegokolwiek czynności. B: zdjąć plastikową osłonę. C: Sprawdzić podłączenie elektryczne. D: Zresetować zabezpieczenie. W przypadku powtarzającego się uruchamiania, wymienić termostat. Nigdy nie wykonywać obejścia zabezpieczenia lub termostatu regulacyjnego. Podłączać zasilanie tylko do gniazd lub wejścia termostatu.

5. URUCHAMIANIE

- **NIGDY NIE WŁĄCZAĆ ZASILANIA OGRZEWACZA BEZ WODY:** Spowoduje to uszkodzenie modeli z elektrycznym elementem grzewczym.
- Napełnić całkowicie zbiornik. Przed włączeniem zasilania odkręcić kran ciepłej wody, opróżnić przewody, aby usunąć z nich powietrze.
- Sprawdzić szczelność przewodów i uszczelnienia kołnierzego pod plastikową pokrywą. W przypadku nieszczelności dokręcić z umiarkowaną siłą. Sprawdzić działanie podzespołów hydraulicznych i zaworu bezpieczeństwa.
- Włączyć zasilanie. Po 15 - 30 minutach, zależnie od pojemności urządzenia, woda powinna zacząć ściekać z otworu spustowego. Jest to normalne zjawisko związane ze zwiększaniem się objętości wody. Sprawdzić występowanie wycieków w obrębie podłączenia i uszczelnienia. Podczas ogrzewania i zależnie od jakości wody, ze zbiorników ciepłej wody może być słycać odgłos bulgotania. Odgłos ten jest zjawiskiem normalnym i nie oznacza usterki urządzenia.
- Termostat jest fabrycznie ustawiony na zatrzymanie przy $65 \pm 5^\circ\text{C}$. **W przypadku zauważenia ciągłego wydostawania się pary lub ciepłej wody z układu spustowego lub podczas odkręcania kranu, należy natychmiast odłączyć zasilanie ogrzewacza wody i wezwać profesjonalnego technika.**

6. KONSERWACJA

- **Przed zdjęciem plastikowej osłony należy pamiętać o wyłączeniu zasilania, aby uniknąć ryzyka obrażeń ciała lub porażenia prądem.**
- **W przypadku uruchomienia zabezpieczenia** wyłączyć prąd przed wykonaniem czynności i zlecić uzbrojenie wyłącznika obwodu profesjonalście.
- **Za zwykłą konserwację** jest odpowiedzialny użytkownik. Urządzenie zabezpieczające musi być uruchamiane co miesiąc, co pozwoli zapobiec osadzeniu się kamienia i sprawdzić, czy nie jest ono zablokowane. Niewykonanie tych czynności konserwacyjnych może spowodować uszkodzenia i utratę gwarancji. **Konserwacja wykonywana przez wykwalifikowany personel A:** Osadzanie się kamienia: Usunąć kamień w postaci osadu. Nie należy zdrapywać ani zbijać kamienia przyklejonego do ścianek, aby nie uszkodzić powłoki. Koniecznie wymienić uszczelkę i ponownie zamontować w urządzeniu. Po pierwszym podgrzaniu, sprawdzić, czy nie ma wycieków wody. **B:** W przypadku urządzeń z anodą magnezową należy wymieniać anodę co dwa lata lub natychmiast, gdy jej średnica wyniesie mniej niż 10 mm. **C:** Wymiana izolowanego elementu grzewczego wymusza konieczność opróżnienia ogrzewacza wody oraz wymianę uszczelki. Zamontować ponownie element grzewczy, dokręcić nakrętki z umiarkowaną siłą (dokręcenie krzyżowe), po pierwszym podgrzaniu sprawdzić, czy nie występują wycieki i dokręcić ponownie w razie potrzeby. **D:** Opróżnianie: Wyłączyć zasilanie i dopływ zimnej wody, odkręcić kran ciepłej wody i zawór spustowy urządzenia zabezpieczającego. W przypadku podumywalkowego ogrzewacza wody, należy odłączyć przewody hydrauliczne i odwrócić je w celu opróżnienia.
- Części podlegające wymianie: termostat, uszczelka, anoda magnezowa, kabel, pokrywa, lampka i przełącznik. Ważność gwarancji jest uwarunkowana stosowaniem oryginalnych części zamiennych producenta. **RADY DLA UŻYTKOWNIKA:** W przypadku twardej wody o wskaźniku $\text{TH} > 20^\circ\text{f}$ ($>200\text{ ppm}$), zalecamy jej zmiękczenie. Jeżeli jest stosowany środek zmiękczający wodę, twardość wody powinna pozostawać na poziomie powyżej 15°f . W przypadku dłuższej nieobecności, szczególnie w zimie, należy opróżnić urządzenie, a następnie wykonać czynności określone w procedurze uruchamiania.

7. GWARANCJA (PL)

Produkt musi być zainstalowany, obsługiwany i konserwowany zgodnie ze sztuką oraz standardami obowiązującymi w państwie instalacji oraz instrukcjami zawartymi w niniejszej instrukcji.

W Unii Europejskiej urządzenie to podlega prawnej gwarancji przyznanej konsumentom na mocy odpowiedniej dyrektywy i obowiązujących regulacji oraz zgodnie z właściwymi przepisami stosowanymi w kraju zakupu produktu. Gwarancja ta obowiązuje od dnia dostawy towaru do konsumenta.

Poza gwarancją prawną, niektóre produkty posiadają przedłużoną gwarancję, ograniczoną do darmowej wymiany zbiornika i elementów uznanych za uszkodzone, z wyłączeniem kosztów wymiany i transportu. Patrz tabela poniżej. Gwarancja ta nie narusza w żaden sposób Państwa praw wynikających z gwarancji ustawowych. Jest ona ważna w kraju zakupu produktu, pod warunkiem zainstalowania go w tym samym kraju. Wszelkie uszkodzenia muszą być zgłoszone do depozytariusza przed wymianą w ramach gwarancji, a urządzenie musi pozostać dostępne dla ubezpieczyciela oraz producenta.

	PC / E-SERIES / EGO	O'PRO / O'PRO + / STEATITE / CERAMICS
Gwarancja handlowa	2 lata	2 lata
Dodatkowa gwarancja handlowa na zasobnik	+1 rok	5 lat

Wyłączenia: części podlegające zużyciu: anody magnezowe ... Wyposażenie, do którego nie ma dostępu (trudny dostęp w przypadku napraw, konserwacji lub oceny). Urządzenia wystawione na nietypowe warunki otoczenia: mróz, warunki pogodowe panujące na zewnątrz, woda o nietypowych właściwościach chemicznych wykraczających poza kryteria dla wody pitnej, sieć zasilająca z wahaniami napięcia. Wyposażenie zainstalowane bez przestrzegania obecnych standardów w państwie instalacji: brak lub nieprawidłowe urządzenie zabezpieczające, nietypowa korozja na skutek użycia niewłaściwych mocowań hydraulicznych (styki żelazne/miedziane), nieprawidłowe uziemienie, nieodpowiednia grubość przewodu, nieprzestrzeganie schematów podłączeń zawartych w niniejszej instrukcji. Wyposażenie niepoddawane konserwacji zgodnie z niniejszą instrukcją. Naprawy lub wymiana części lub elementów wyposażenia nieprzeprowadzone lub nieautoryzowane przez firmę odpowiedzialną za gwarancję. Gwarancja obowiązuje dla produktów, które są uszkodzone i poddane ocenie przez firmę odpowiedzialną za gwarancję. Obowiązkowe jest udostępnienie produktów takowej firmie.


- Aby skorzystać z praw przysługujących na gwarancji, skontaktować się z instalatorem lub sklepem. W razie potrzeby skontaktować się z: GROUPE ATLANTIC POLSKA Sp. z o.o. ul. Płochocińska 99 A - 03-044 Warszawa Polska - tel. 022 811 82 60 - serwis@atlantic-polska.pl, gdzie uzyskają Państwo informacje na temat dalszego postępowania

FIGYELMEZTETÉSEK: A készüléket nem használhatják csökkent fizikai, érzékszervi vagy értelmi képességű személyek (ideértve a gyerekeket is), kellő tapasztalattal, ismerettel nem rendelkező személyek, kivéve akkor, ha a biztonságukért felelős személy felügyeletüket ellátja, vagy a készülék használatával kapcsolatban előzetes utasítást szolgáltat számukra. Ügyeljen arra, hogy gyermekek ne játsszanak a készülékkel! A berendezést 3 éves kor alatti gyermek és csökkent fizikai, érzékszervi vagy értelmi képességű, illetve gyakorlattal nem rendelkező vagy a berendezést nem ismerő személy csak abban az esetben használhatja, ha a biztonságáért felelős személy a felügyeletét ellátja, vagy előzetes utasítást szolgáltat számára a berendezés használatával kapcsolatban, figyelembe véve a fennálló kockázatokat. Gyermekeknek a készülékkel játszani tilos! Gyermek a tisztítást és karbantartást felügyelet nélkül nem végezheti. 3–8 éves gyermekek számára csak a vízmelegítőhöz csatlakoztatott csap működtetése megengedett.


TELEPÍTÉS

1. VIGYÁZAT! Nehéz alkatrészek. Kezelje óvatosan!

- 1.1 A berendezést fagytól védett helyiségben szerelje fel! A biztonsági berendezés eltömődése miatt keletkező károokra nem terjed ki a garancia.
- 1.2 Bizonyosodjon meg róla, hogy a fal, amelyre felszereli a készüléket, elbírja annak vízzel teli súlyát!
- 1.3 A felszerelésre szolgáló helyiség szellőztetéséről gondoskodni kell, ha annak hőmérséklete magasabb, mint 35 °C.
- 1.4 A fürdőszobában ne helyezze el a készüléket a V1 és a V2 terekben (lásd az 1. ábrát a 3. oldalon). Amennyiben a méretek miatt ez nem lehetséges, a készülék elhelyezhető a V2 térben, vagy a legnagyobb magasságon a V1 térben, amennyiben a készülék kivitelezése vízszintes.
- 1.5 Lásd az 1. telepítési ábrát.
- 1.6 Ez a készülék 3000 m maximális magasságig használható.
- 1.7 Elérhető helyre építse be a berendezést!
- 1.8 A függőleges elrendezésű fali vízmelegítő beépítése: A fűtőbetét esetleges cseréje érdekében hagyjon legalább 300 mm szabad helyet a 100 literesnél nem nagyobb, és 480 mm-t az ennél nagyobb készülékek alsó csöveinek vége alatt.

- 1.9 Ha a készülék álmennyezetben, tetőtérben vagy lakótér felett van telepítve, a vízmelegítő alá feltétlenül csepegtető tálcát kell felszerelni. A csatornarendszerhez csatlakoztatott elvezető berendezést szükséges használni.
- 1.10 A hatályos (Európában az EN 1487) szabványnak megfelelő 0,7 vagy 0,8 MPa (7 vagy 8 bar) nyitási nyomású és 1/2" vagy 3/4" csőátmérőjű biztonsági eszközt kell beszerezni. A biztonsági szelepet védeni kell a fagytól.
- 1.11 Kézzel nyissa ki rendszeres időközönként a biztonsági szelep leürítő berendezését, hogy megakadályozza a vízkő lerakódását, és ellenőrizze, hogy az nincs-e beszorulva!
- 1.12 Nyomáscsökkentő (nem része a szállítási terjedelemnek) szükséges, ha a bejövő víznyomás nagyobb, mint 0,5 MPa (5 bar), ezt a bejövő vízvezetékre kell felszerelni.
- 1.13 A biztonsági túlfolyó berendezést csatlakoztassa egy folyamatos lejtésű, fagymentes környezetben elhelyezett, nyomásmentes kifolyócsőre, hogy a felfűtéskor vagy a készülék vízmentesítésekor kifolyó víz kiürülhessen!
- 1.14 **VÍZLEERESZTÉS:** Kapcsolja ki az áramellátást és zárja le a hidegvíz-ellátást, nyissa ki a melegvíz-csapokat, majd működtesse a biztonsági berendezés leürítő szelepét.
- 1.15 **MEGJEGYZÉS:** A mosogató alatti vízmelegítők esetében szerelje le a vízcsöveket, és fejjel lefelé fordítva ürítse ki a készüléket.
- 1.16 Az áramütés veszélyének elkerülése érdekében a fedél leszerelése előtt kapcsolja ki az elektromos ellátást!
- 1.17 A berendezés előtt az elektromos rendszernek rendelkeznie kell egy minden pólust leválasztó megszakító egységgel (megszakító, biztosíték), amely megfelel a hatályos helyi telepítési szabályoknak (30 mA-es maradékáram-működtetésű megszakító).
- 1.18 Amennyiben a vezeték sérült, azt a gyártótól vagy a szakszerviztől beszerezhető vezetékre vagy speciális egységekre kell cserélni.
- 1.19 A földelés kötelező. Erre a célra egy  jelzéssel ellátott speciális sorkapocs áll rendelkezésre.
- 1.20 Ezek a készülékek megfelelnek az elektromágneses összeférhetőségre vonatkozó 2014/30/EU irányelvnek, a 2014/35/EU (kisfeszültségű elektromos berendezésekre vonatkozó) irányelvnek, a 2015/863/EU és 2017/2102/EU (az egyes veszélyes anyagok

elektromos berendezésekben való használatának korlátozásáról szóló) irányelvnek és a környezetbarát tervezésre vonatkozó 2009/125/EK irányelvet kiegészítő 2013/814/EU rendeletnek.

- 1.21 Ne dobja a vízmelegítőt a szemétkosárba, hanem adja le egy erre a célra kijelölt helyen (gyűjtőhelyen), ahol újra tudják hasznosítani. 
- 1.22 A készülék felhasználói kézikönyve beszerezhető a vevőszolgálatnál.
- 1.23 Ez a vízmelegítő olyan termosztáttal került értékesítésre, amelynek működési hőmérséklete maximális helyzetben 60 °C feletti, ezáltal lehetővé téve a Legionella baktériumok szaporodásának korlátozását a tartályban. Vigyázat! 50 °C felett a víz azonnali súlyos égési sérüléseket okozhat. Fürdés vagy zuhanyzás esetén ügyeljen a víz hőmérsékletére.
- 1.24 Rendszeresen ellenőrizze, hogy nincs-e szivárgás a csővezetékben.

2. TELEPÍTÉS

- Lásd a megfelelő ábrákat a 3. és 4. oldalon (lásd a jobb oldali táblázatot):
- Ügyeljen rá, hogy a csövek alatt maradjon 300 mm szabad hely a fűtőelem cseréjéhez.
- Ø 505 készülékek függőleges felszerelése esetén opcionális padlótartót is lehet rendelni, ha nem elég erős a fal. Ettől függetlenül kötelező a készüléket a falhoz rögzíteni a felső konzol segítségével, nehogy megbillenjen a készülék.
- Vízszintes felszerelés esetén a víz csatlakozó csöveinek mindig függőlegesen kell futniuk a készülék alatt.

Átmérő	Függőleges telepítés	Vízszintes felszerelés
Ø255	Lásd 2 ábra lent és 3 ábra fent	
Ø338	Lásd 2 ábra lent és 3 ábra fent	Lásd: 6
Ø380 Ø433	Lásd 4 és 5 ábra	Lásd: 6
Ø505	Lásd 5 ábra	

3. VÍZCSATLAKOZÓK

- A vízdali csatlakozás előtt meg kell tisztítani a tápvízcsöveket. A melegvíz-kimenethez való csatlakozást öntöttvas- vagy acélhüvellyel vagy dielektromos csőkötéssel kell elvégezni a cső korróziójának elkerülése érdekében (közvetlen vas / réz kontaktus). A sárgaréz szerelvények használata tilos.

NYOMÁS ALATT LÉVŐ BERENDEZÉS: Lásd 7, 8, 9 és 10 ábra, a 4. oldalon. A vízmelegítő hidegvíz-vezetékébe mindig a szabványnak (Európában EN 1487) megfelelő, 0,7 vagy 0,8 MPa (7 vagy 8 bar) névleges nyomású új biztonsági eszközt kell beszerezni, a csőátmérő pedig legyen 1/2" vagy 3/4" (lásd a táblázatot a 1. oldalon).

TÚLNYOMÁS NÉLKÜLI BERENDEZÉS: Lásd 11 és 12 ábra, a 4. oldalon. Egyetlen felhasználási pont ellátásakor a berendezést opcionális különleges keverőcsappal kell kialakítani.

- **A melegítés során vízcsöpögés fordulhat elő a szelepnél, ne akadályozza a csöpögést.** Ha van mellékelve biztonsági eszköz a berendezéshez, akkor az nem felel meg a Franciaországban (a szárazföldi és tengerentúli területeken) érvényes telepítési előírásoknak, kérjük, hogy ne használja.

4. ELEKTROMOS CSATLAKOZTATÁS

- Lásd a megfelelő ábrákat a 4. és 6. oldalon (lásd 13, 14, 15, 16, 17, 18, 19, 20, 21, 22 ábra).
- A vízmelegítő csak a 230 V-os vagy 220–240 V-os váltakozó áramú hálózathoz csatlakoztatható és azon működtethető, a készülék adattáblájának megfelelően. Csatlakoztassa a készüléket 2,5 mm² keresztmetszetű merev kábellel. Használjon szabványos (merev vagy hajlékony) kábelcsatornát a kalibrált készülékház burkolatáig.
- A készülékeket közvetlenül kell csatlakoztatni, kábellel vagy dugóval. Csatlakozódugasz használata Franciaországban tilos, árusítani és felszerelni így nem szabad.
- Mindig csatlakoztatni kell a kábel földelővezetékét a földvezetékhez, vagy pedig a ⊥ szimbólummal jelölt megfelelő csatlakozóra kell kötni a földelővezetékét. Ez a csatlakozás biztonsági okokból kötelező. A zöld-sárga földelővezetéknek hosszabbnak kell lennie, mint a fázisvezetéknek. A rendszerbe, a készülék elé, egy kétpólusú megszakítóeszközt kell felszerelni (3 mm minimális érintkezőtávolságú biztosítékot, megszakítókapcsolót). Ha a VÍZOLDALI csatlakozók szigetelt anyagból készültek, akkor az elektromos áramköröket a helyi szabványoknak megfelelő 30 mA-es áramvédő kapcsolóval kell ellátni.
- Hőkioldó: Minden termék termosztáttal van ellátva, beleértve a manuális visszaállítású termikus megszakítót is, amely túlmelegedés esetén áramtalanít. Biztonsági kioldások esetén A: Minden művelet előtt áramtalanítson. B: Vegye le a műanyag burkolatot. C: Ellenőrizze az elektromos bekötést. D: Állítsa vissza a biztosítékot. Ismétlődő kioldás esetén cserélje ki a termosztátot. Soha ne kerülje meg a biztonsági vagy szabályozó termosztátot. Csak az aljzatokon vagy a termosztát bemenetén keresztül csatlakoztassa az áramot.

5. INDÍTÁS

- **SOHA NE KAPCSOLJA BE VÍZ NÉLKÜL A VÍZMELEGÍTŐT:** Ekkor ugyanis biztosan tönkremennek az elektromos fűtőelemes modellek.
- Töltse fel teljesen a tartályt. Bekapcsolás előtt nyissa ki a melegvíz-csapokat, és folyassa ki a csöveket, hogy eltávozzon a levegő a rendszerből.
- Ellenőrizze hogy nem szivárognak-e a csövek vagy a karimatömítés a műanyag burkolat alatt. Szivárgás esetén mérsékelten húzza meg a csöveket. Ellenőrizze a vízdali alkatrészek és a biztonsági szelep működését.
- Kapcsolja be az áramot. 15–30 perc elteltével (a készülék térfogatától függően) víznek kell csepegnie a kifolyóból. Ez normális jelenség, a víz tágulása okozza. Ellenőrizze a csatlakozók szivárgását és tömítettségét. Fűtés közben és a vízminőségtől függően a melegvítartályok bugyborékoló hangot adhatnak ki. Ez a zaj normális, és nem jelent semmilyen hibát a készülékben.
- A termosztát gyárilag úgy van beállítva, hogy a készülék 65 ± 5 °C hőmérsékleten álljon le. **Ha folyamatosan gőz vagy forró víz lép ki a kifolyóból vagy a csaptelep kinyitásakor, azonnal kapcsolja ki a vízmelegítő áramellátását, és hívjon szakembert.**

6. KARBANTARTÁS

- **Bármilyen művelet előtt ellenőrizze, hogy az áramellátás ki van-e kapcsolva, hogy elkerülje a sérülések vagy az áramütés kockázatát.**
- **Biztonsági kioldás esetén,** mielőtt bármilyen műveletet végezne, szakítsa meg az áramellátást, és végeztesse el a megszakító visszaállítását szakemberrel.
- **A háztartási karbantartást** a felhasználónak kell elvégeznie. Minden hónapban működtesse a biztonsági eszközt a vízkövesedés megelőzése érdekében, és ellenőrizze, hogy nincs-e eltömődve. A karbantartás elmulasztása károkat és a garancia elvesztését okozhatja. **Karbantartás szakképzett személyzet A:** Vízkövesedés: Távolítsa el az iszapként lerakódott vízkövet. A bevonat károsodásának elkerülése érdekében ne vakarja és ne verje le a falakhoz tapadó vízkövet. Ne felejtse el kicserélni a tömítést, majd szerelje össze a készüléket, és az első felfűtés után ellenőrizze, hogy nincs-e vízszivárgás. **B:** Magnézium-anóddal rendelkező készülékek esetén kétfévente cserélje le a magnézium-anódot, illetve ha az átmérője kevesebb mint 10 mm. **C:** A köpenyes fűtőelem cseréje magában foglalja a vízmelegítő leeresztését és a tömítés cseréjét is. Szerelje vissza a fűtőelemet, megfelelően (keresztben) húzza meg az anyákat, az első felfűtés után ellenőrizze, hogy nincs-e szivárgás, és szükség esetén húzza meg újra az anyákat. **D:** Vízleeresztés: Kapcsolja ki az áramellátást és a hidegvízellátást, nyissa ki a melegvíz-csapokat és a biztonsági eszköz leeresztőszelepét. Mosogató alatti vízmelegítő esetén válassza le a vízcsöveket és a visszatérő vezetékét a leürítés céljából.
- A cserélhető alkatrészek a következők: termosztát, tömítés, fűtőszál, magnéziumanód, kábel, fedél, jelzőfény és kapcsoló. A garancia a gyártó eredeti pótalkatrészeinek használata esetén marad érvényes. **TANÁCS A FELHASZNÁLÓKNAK:** Kemény víz esetén, ha TH > 20 °f (> 200 ppm), javasoljuk a víz lágyítását. Vízlágyító használata esetén a fennmaradó vízkeménységnek nagyobbak kell lennie mint 15 °f. Hosszabb távollét esetén, különösen télen, ürítse le készülékét, majd újraindításakor kövesse az indításhoz szükséges eljárásokat.

7. GARANCIA (HU)

A terméket a technika állásának és a telepítés országában hatályos szabványoknak, valamint a jelen kézikönyv utasításainak megfelelően kell telepíteni, működtetni és karbantartani.

Az Európai Unióban erre a készülékre a fogyasztóknak nyújtott jogi garancia a hatályos irányelv és rendelet, valamint a termék vásárlása szerinti országban érvényes jogszabályok szerint vonatkozik. A jogi garancia az áru fogyasztónak történő leszállításának időpontjától hatályos.

A törvényes garancia mellett egyes termékekre kiterjesztett garancia is vonatkozhat, amely a hibásnak elismert tartály és alkatrészek ingyenes cseréjére korlátozódik, kivéve a csere és a szállítás költségeit. Lásd az alábbi táblázatot. Ez a garancia nem érinti azokat a jogokat, amelyek a törvényes garancia alkalmazásából eredően megilletik Önt. A garancia a termék vásárlása szerinti országban érvényes, feltéve, hogy a terméket ugyanazon a területen telepítették. A garanciális csere előtt minden sérülést be kell jelenteni a letéteményesnek, és a berendezésnek a biztosítási szakértők és a gyártó rendelkezésére kell állnia

	PC / E-SERIES / EGO	O'PRO / O'PRO + / STEATITE / CERAMICS
Kereskedelmi garancia	2 év	2 év
Kiegészítő kereskedelmi garancia a tartályra	+1 év	5 év

Nem vonatkozik a garancia a következőkre: Kopó alkatrészek: magnéziumanódok ... Olyan berendezések, amelyekhez nem lehet hozzáférni (nehéz hozzáférni javítás, karbantartás vagy vizsgálat céljából). Olyan eszközök, amelyekre rendellenes környezeti körülmények hatnak: fagy, kültéri időjárás, az ivóvíz kritériumain kívül eső rendellenes kémiai tulajdonságú víz, elektromos hálózati teljesítménycsúcsok. A telepítés országában érvényes szabványok betartása nélkül telepített berendezések: hiányzó vagy helytelen biztonsági berendezés, rendellenes korrózió a helytelen vízdali szerelvények miatt (vas/réz kontaktus), helytelen földelés, nem megfelelő kábelvastagság, az utasításban szereplő kapcsolási rajzok be nem tartása. Nem a jelen utasításoknak megfelelően karbantartott berendezés. Alkatrészek vagy összetevők javítása vagy cseréje a berendezésben, ha azokat nem a garanciáért felelős vállalat végezte, illetve ha nem engedélyezte őket. A jótállás az olyan meghibásodott termékekre vonatkozik, amelyeket megvizsgált a szavatosságért felelős vállalat. A termékeket feltétlenül az utóbbi rendelkezésére kell bocsátani.


- A garancia igénybeviteléhez lépjen kapcsolatba a telepítővel vagy a kereskedővel. Szükség esetén forduljon a következőhöz: SCGA - Tel: (+33)146836000, 2 allée Suzanne Penillault-Crapez 94110 Arcueil (France), ahol megtudhatja a további teendőket.

ПРЕДУПРЕЖДЕНИЯ: Този уред не е предназначен за ползване от хора (включително деца) с намалени физически, сетивни или умствени способности или от хора, които нямат опит или познания, освен ако не получават адекватен надзор или предварителни инструкции относно употребата на уреда от лице, което е отговорно за тяхната безопасност. Децата трябва да бъдат наблюдавани, за да се уверите, че не играят с уреда. Този уред може да се използва от деца над 3-годишна възраст и от хора с намалени физически, сетивни или умствени възможности или от хора, които нямат предишен опит или познания, освен ако не са под наблюдението на лица, които знаят как се използва уреда, или ако им е дадена инструкция за безопасно използване на уреда и като се вземат под внимание всички рискове. Деца не трябва да играят в близост до уреда. Почистването и поддръжката не могат да се извършват от деца без наблюдение. Деца на възраст от 3 до 8 години могат да използват само крана, свързан към водонагревателя.

МОНТАЖ

1. **ВНИМАНИЕ!** Уредът е тежък, работете внимателно:

- 1.1 Инсталирайте устройството в стая, където ще е защитено от замръзване. Ако уредът се повреди поради подмяна или немонтиране на предпазния клапан, гаранцията отпада.
- 1.2 Уверете се, че стената, на която уредът е монтиран, може да издържи неговата тежест, когато е пълен с вода.
- 1.3 Ако уредът ще бъде монтиран в помещение или на място, където околната температура е постоянно над 35°C, там трябва да се осигури подходяща вентилация.
- 1.4 В банята не може да се инсталира уред с обеми V1 или V2 (вижте фиг. 1, стр. 3). Ако няма достатъчно място, уредът може да се монтира в обем V2 или на максимална височина в обем V1, ако това са хоризонтални модели.
- 1.5 Вижте фигурите за монтаж 1.
- 1.6 Уредът е проектиран за употреба при максимална надморска височина до 3000 м.
- 1.7 Поставете уреда на място, където може да бъде осъществен достъп до него.
- 1.8 Монтаж на вертикален стенен бойлер: За улесняване на бъдещата смяна на нагревателя е необходимо да се остави свободно пространство под краищата на тръбите на уреда (300 mm за бойлери до 100 литра и 480 mm за по-големи обеми).

- 1.9 Необходимо е да се монтира съд за оттичане под водонагревателя, когато е поставен в окачен таван, таванско помещение или над жилищни помещения. Източващо устройство, свързано към канализационната система, е нужно.
- 1.10 Трябва да бъде поставено ново предпазно устройство, което отговаря на текущите стандарти (EN 1487 в Европа), налягане 0,7 или 0,8 Мра (7 или 8 bar) и размер $\frac{1}{2}$ " или $\frac{3}{4}$ " в диаметър. Предпазният клапан трябва да е защитен от замръзване.
- 1.11 Устройството за източване на клапана за изпускане на налягането трябва да се активира редовно, за да се избегне натрупването на котлен камък, както и за проверка против блокиране.
- 1.12 Ако налягането на водоснабдяването е по-голямо от 0,5 МРа (5 bar), е необходим редуктор на налягането (не е част от окомплектовката), който се инсталира на основната водоснабдителна тръба.
- 1.13 Свържете предпазния модул към изпускателната тръба, която е на открито, в среда без замръзване, с постоянен наклон надолу, за да източите излишъка от разширената от нагряването вода или да позволите източване на водонагревателя.
- 1.14 **ИЗТОЧВАНЕ:** Изключете бойлера от електрическата мрежа и подаването на студена вода, отворете крана на топлата вода и завъртете дренажния клапан на предпазното устройство.
- 1.15 **ЗАБЕЛЕЖКА:** За нагреватели на вода под мивки разкачайте хидравличния модул и обръщайте наопаки за източване
- 1.16 За да предотвратите риск от нараняване при електрически удар, изключете захранването преди сваляне на капака.
- 1.17 Електрическата инсталация нагоре по веригата трябва да бъде снабдена с двуполюсен прекъсвач (прекъсвач, предпазител), съвместим с локалните правила за монтаж (дефектно-токова защита 30 mA).
- 1.18 В случай че кабелът бъде повреден, той трябва да се подмени с кабел или специален комплект, който е на разположение от производителя или „Следпродажбено обслужване“.
- 1.19 Заземяването е задължително. За целта е предвидена специално обозначена клема .
- 1.20 Тези устройства съответстват на директива 2014/30/ЕС относно електромагнитната съвместимост, 2014/35/ЕС относно

но ниско напрежение, 2015/863/ЕС и 2017/2102/ЕС относно ROHS и с 2013/814/ЕС, която допълва директива 2009/125/ЕО за екодизайн.

- 1.21 Не изхвърляйте водонагревателя на боклука, а го предайте на място, предвидено за целта (събирателен пункт), където той може да се рециклира.
- 1.22 Наръчникът на потребителя за това устройство може да получи от "Следпродажбено обслужване"
- 1.23 Този водонагревател е снабден с термостат с работна температура от над 60°C на максимална степен, с цел да предотврати развитието на бактерията легионела във водосъдържателя. Внимание! Над 50°C водата може да причини незабавни изгаряния. Обърнете внимание на температурата на водата, преди да вземете баня или душ.
- 1.24 Редовно проверявайте за липса на течове по тръбите.



2. МОНТАЖ

- Следвайте съответните диаграми стр. 3 и 4 (вж. таблицата вдясно):
- Оставете разстояние от 300 мм под тръбите за смяна на нагревателния елемент.
- За вертикален монтаж на устройства Ø 505, ако стената не е достатъчно здрава, се предлага допълнителна опора. Въпреки това е задължително да закрепите уреда към стената с горната скоба, за да избегнете преобръщане.
- При хоризонтален монтаж тръбите за свързване на водата трябва винаги да са във вертикално положение под устройството.

Диаметър	Вертикална инсталация	Хоризонтален монтаж
Ø255	Вижте фиг. под ② и над ③	
Ø338	Вижте фиг. под ② и над ③	Вижте фиг. ⑥
Ø380 Ø433	Вижте фиг. ④ и ⑤	Вижте фиг. ⑥
Ø505	Вижте фиг. ⑤	

3. ХИДРАВЛИЧНО СВЪРЗВАНЕ

- Всички водопроводни тръби трябва да бъдат почистени, преди да бъдат свързани хидравличните връзки. Свързването към изхода за гореща вода трябва да се извърши с чугунена или стоманена муфа или диелектрична връзка, с цел да се избегне корозиране на тръбите (поради директния контакт между медта и желязото). Не трябва да се използват месингови фитинги.

МОНТАЖ ПОД НАЛЯГАНЕ: Вижте фиг. ⑦, ⑧, ⑨ и ⑩, стр. 4. Винаги монтирайте ново предпазно устройство на тръбата за студена вода на водонагревателя, което отговаря на стандартите (EN 1487 в Европа), с налягане от 0,7 или 0,8 MPa (7 или 8 бара) според номиналното налягане, с диаметър 1/2" или 3/4" (таблица на стр. 1).

МОНТАЖ БЕЗ НАЛЯГАНЕ: Вижте фиг. ⑪ и ⑫, стр. 4. За осигуряване на единична точка за използване монтажът трябва да се извърши с допълнителен специален смесител.

- **По време на загряване от клапана може да започне да капе вода, не го блокирайте!** Предпазният механизъм, ако е доставен, не съответства на критериите за монтаж на територията на Франция (континентални и задморски): не го използвайте.

4. ЕЛЕКТРИЧЕСКО СВЪРЗВАНЕ

- Вижте съответните диаграми стр. 4 и 6 (вижте фиг. (⑬, ⑭, ⑮, ⑯, ⑰, ⑱, ⑲, ⑳, ㉑, ㉒)).
- Водонагревателят трябва да бъде свързан и захранен само с АС 230V или с АС 220-240V в съответствие с указателния стикер на уреда. Свържете нагревателя с твърд кабел с проводници със сечение 2,5 mm². Използвайте стандартен кабел (твърд или гъвкав проводник) до калибрирания капак на корпуса.
- Директно свържете устройствата с кабел или щепсел. Във Франция продукт с щепсел е строго забранен и не може да се продава и инсталира.
- Винаги свързвайте заземителния проводник на кабела към заземяващ проводник или свързвайте заземителния проводник към подходящ терминал, идентифициран със символа (⊕). Това свързване е задължително от съображения за безопасност. Заземителният зелено-жълт проводник трябва да е по-дълъг от този на фазите. Инсталацията трябва да е оборудвана с поставен преди уреда двуполусен прекъсвач (минимална контактна дистанция от 3 mm предпазител, прекъсвач). В случай че ХИДРАВЛИЧНИТЕ връзки са изолирани, електрическите вериги трябва да бъдат защитени с 30 mA диференциален защитен прекъсвач, приведен в съответствие с местните стандарти.
- Термично прекъсване: Всички бойлери са снабдени с термична защита с ръчно рестартиране, която изключва уреда в случай на прегряване. В случай на активиране на защитата А: Изключете захранването, преди да правите каквото и да било. В: свалете пластмасовия капак. С: Проверете електрическата връзка. D: Рестартирайте защитата. В случай на повторно активиране, сменете термостата. Никога не шунтирайте предпазния или регулиращ термостат. Свързвайте само чрез клемата.

5. СТАРТИРАНЕ

- **НИКОГА НЕ ВКЛЮЧВАЙТЕ БОЙЛЕРА ПРАЗЕН:** При моделите с електрически нагревателен елемент това неизбежно ще доведе до повреда.
- Напълнете резервоара докрай. Преди да го включите, отворете крана за топлата вода и обезвъздушете системата.
- Проверете за теч тръбите и уплътнението на фланеца под пластмасовия капак. В случай на теч внимателно притегнете. Проверете работата на хидравличните компоненти и на предпазния клапан.
- Включете захранването. След 15 до 30 минути, според обема на бойлера от дренажната тръба на предпазния клапан трябва да започне да капе вода. Това е нормално и се дължи на разширяването на водата. Проверете за теч по връзките и уплътнението. По време на загряване и в зависимост от качеството на водата от резервоарите за гореща вода може да се чува шум на бълбукащ звук. Този шум е нормален и не е признак за дефект в бойлера.
- Термостатът е фабрично настроен да спре при $65 \pm 5^\circ\text{C}$. **Ако забележите продължително изпускане на пара или гореща вода от предпазния клапан или смесителя на чешмата, незабавно изключете захранването и повикайте квалифициран техник.**

6. ПОДДРЪЖКА

- **Преди работа се уверете, че захранването е изключено, за да избегнете всякакъв риск от нараняване или токов удар.**
- **В случай на задействане на предпазното устройство** изключете от захранването преди каквато и да е работа и се обърнете към професионалист за нулиране на прекъсвача.
- **Битовата поддръжка** трябва да се извършва от потребителя. Отваряйте предпазния клапан веднъж месечно, за да предотвратите образуване на котлен камък и да проверите дали не е запушен. Неизвършването на тази процедура може да доведе до повреди и загуба на гаранцията. **Поддръжка от квалифициран техник А:** Котлен камък: Отстранете натрупалия се като кал котлен камък. Не стържете и не удряйте котления камък, натрупан по стените, за да избегнете нарушаване на целостта на покритието. Не забравяйте да подмените уплътнението и да сглобите наново уреда. Проверете за наличие на теч след първото загряване. **В:** Магнезиев анод: сменяйте магнезиевия анод на всеки две години или когато диаметърът му спадне под 10 мм. **С:** Смяната на потопяем нагревателен елемент включва източване на водосъдържателя и смяна на уплътнението. Подменете нагревателя и добре затегнете гайките (диагонално затягане). Проверете дали няма теч след първото загряване и затегнете отново, ако е нужно. **Д:** Източване: Изключете захранването и подаването на студена вода, отворете крана за топла вода и предпазния клапан. При уреди за монтаж ПОД плот, разкачете хидравличните връзки и обърнете бойлера.
- Сменяемите части са: термостат, гарнитура, нагревател, магнезиев анод, кабел, капак, лампичка и превключвател. Гаранцията важи при употреба на оригинални резервни части от производителя. **СЪВЕТ КЪМ ПОТРЕБИТЕЛЯ:** В случай на твърда вода с $\text{TH} > 20^\circ\text{f}$ ($> 200 \text{ ppm}$) ние препоръчваме омекотяване на водата. При използване на омекотител за вода, оставащата твърдост на водата трябва да е над 15°f . В случай на по-дълго отсъствие и особено през зимата източвайте бойлера. При пускане следвайте процедурите за стартиране.

7. ГАРАНЦИЯ (BG)

Продуктът трябва да се монтира, използва и поддържа в съответствие с най-новите достижения на техниката и със стандартите, които са в сила в страната на монтиране, както и с инструкциите в настоящия наръчник.

В Европейския съюз този уред е със законова гаранция, предоставена на потребителите съгласно действащите директиви и регламенти и съгласно законодателството, приложимо в страната на закупуване на продукта. Законовата гаранция влиза в сила от датата на закупуване на продукта.

В допълнение към законовата гаранция някои продукти имат удължена гаранция, ограничена до безплатна смяна на резервоара и компонентите, признати за дефектни, като се изключват разходите за смяна и транспорт. Вижте таблицата по-долу. Тази гаранция не засяга другите права, които може да имате в резултат от прилагането на законовата гаранция. Тя се прилага в страната на закупуване на продукта, ако той е монтиран на същата територия. Всяка повреда трябва да се докладва на довереното лице преди извършване на смяна по гаранцията, а уредът ще остане на разположение на застрахователните експерти и на производителя.

	PC / E-SERIES / EGO	O'PRO / O'PRO + / STEATITE / CERAMICS
Търговска гаранция	2 години	2 години
Допълнителна търговска гаранция за резервоара	+1 години	+3 години

Изключения: Консумативи: магнезиеви аноди ... Оборудване, което не може да се достигне (труден достъп за ремонт, поддръжка или оценка). Уреди, изложени на необичайни условия на околната среда: замръзване, атмосферно влияние, вода с необичайни химически характеристики извън критериите за питейна вода, водопреносна мрежа с пикове на налягането, електрическа мрежа с пикове на мощността. Оборудване, което е инсталирано без спазване на текущите стандарти в страната на инсталиране: липса или неправилно монтиран предпазен механизъм, аномална корозия поради неправилни хидравлични фитинги (контакт желязо/мед), неправилно заземяване, неадекватна дебелина на кабела, неспазване на чертежите за свързване, посочени в тези инструкции. Оборудването не е поддържано в съответствие с тези инструкции. Ремонтите или смяната на части или компоненти по оборудването не са извършвани или не са одобрени от компанията, отговорна за гаранцията. Гаранцията се отнася за продукти, които са дефектни и са одобрени от компанията, която е отговорна за гаранцията. Задължително е продуктите да се запазят на разположение на последната.


- За подаване на гаранционен иск се свържете с вашия монтажник или търговец. Ако е нужно, се свържете с: SCGA - Тел.: (+33)146836000, 2 allée Suzanne Penillault-Crapez 94110 Arcueil (Франция), които ще Ви уведомят какво трябва да направите.

HOIATUSED: Seade ei ole ette nähtud kasutamiseks füüsilise, sensoorse või vaimse puudega isikutele (sealhulgas lastele) või isikutele, kellel puuduvad vastavad kogemused või teadmised, välja arvatud juhul, kui seadme ohutuse eest vastutav isik nende järele valvab või on andnud neile eelnevad juhised seadme kasutamise kohta. Jälgige, et lapsed ei saaks selle seadmega mängida. Lapsed alates 3 eluaastast, vähenenud füüsilise, sensoorse või vaimse võimekusega inimesed, samuti inimesed, kellel puuduvad kogemused ja tehnilised teadmised, võivad seadet kasutada juhul, kui nende tegevust kontrollitakse, nendele on eelnevalt tutvustatud seadme kasutamise juhendit ja nendele on selgitatud võimalikke ohtusid. Lastel on keelatud seadmega mängida. Seadme puhastamist ja hooldamist ei tohi teha lapsed ilma järelevalveta. 3–8-aastased lapsed tohivad kasutada ainult veesoojendiga ühendatud kraani.

PAIGALDAMINE

1. TÄHELEPANU! Raske ese – käsitsege ettevaatlikult!

- 1.1 Paigaldage seade külmumiskindlasse ruumi. Kui seade on kahjustatud ohutusseadise omavolilise muutmise tõttu, siis garantii seda ei kata.
- 1.2 Veenduge, et sein, millele seade paigaldatakse, suudab kanda veega täidetud seadme kaalu.
- 1.3 Kui seade paigaldatakse ruumi, mille sisetemperatuur on pidevalt kõrgem kui 35°C, veenduge, et ruum oleks korralikult ventileeritud.
- 1.4 Vannituppa paigaldamisel ei tohi seade asuda tsoonis V1 või V2 (vt joonis 1, lk 3). Kui aga ruumi mõõtmed seda ei võimalda, võib seadme paigaldada tsooni V2, horisontaalse mudeli ka tsooni V1 nii kõrgele kui võimalik.
- 1.5 Vaadake paigaldusjoonist 1.
- 1.6 Seade on ette nähtud kasutamiseks maksimaalselt kõrgusel 3000 m üle merepinna.
- 1.7 Paigaldage seade kohta, kus sellele on lihtne juurde pääseda.
- 1.8 Vertikaalse seinaboileri paigaldamine: Tulevikus kütteelemendi väljavahetamise võimaldamiseks jätke vaba ruum (300 mm kuni 100 l ja 480 mm suurema mahutavuse korral) seadme torude ots-test allapoole.
- 1.9 Kui seade on paigaldatud ripplakke või pööningule või elamis-pinna kohale, tuleb veesoojendi alla paigaldada tühjendus anum. Nõutav on kanalisatsiooniga ühendatud äravooluseadis.

- 1.10 Paigaldada tuleb uus ohutusseadis, mis vastab kehtivatele standarditele (EN 1487 Euroopas), rõhk 0,7 või 0,8 MPa (7 või 8 bar) ja läbimõõt ½" või ¾". Kaitseklapp peab olema kaitstud külmumise eest.
- 1.11 Katlakivi sadestuste eemaldamiseks ja selle ummistumise kontrollimiseks tuleb kaitseklapi äravooluseadet regulaarselt käitada.
- 1.12 Kui rõhk veetorustikus on suurem kui 0,5 MPa (5 bar), tuleb peamisele toititorule paigaldada rõhualandusseadis (ei kuulu boileri komplekti).
- 1.13 Ühendage ülerõhukaitse äravooluvoolikuga, mille lahtine ots peab asuma vabas õhus ja külmumise eest kaitstud keskkonnas; äravooluvoolik tuleb paigaldada pideva allakaldega, et see võimaldaks vee soojenemisel tekkiva paisumisvee ärajuhtimist ja vajadusel boileri tühjendamist.
- 1.14 TÜHJENDAMINE: Lülitage välja toide ja külmaveevarustus, avage kuumaveekraanid ning seejärel kasutage ohutusseadise äravooluklappi.
- 1.15 MÄRKUS: Valamute alla paigaldatavate boilerite puhul ühendage lahti hüdroseadis ja pöörake see tühjendamiseks tagurpidi.
- 1.16 Enne katte eemaldamist veenduge, et vool on välja lülitatud, et vältida vigastusi või elektrilööki.
- 1.17 Enne seadet peab elektripaigaldises olema omnipolaarne lüliti (kaitselüliti, kaitse), mis vastab kehtivatele kohalikele paigalduseeskirjadele (30 mA jääkvoolu seade).
- 1.18 Kui juhe on kahjustunud, tuleb see asendada samade omadustega juhtmega või spetsiaalse toitejuhtmekomplektiga, mis on saadaval tootjalt või tema müügijärgsest teenindusest.
- 1.19 Maandamine on kohustuslik. Selleks on ette nähtud vastava tähistusega  klemm.
- 1.20 Need seadmed vastavad elektromagnetilise ühilduvuse direktiivile 2014/30/EL, madalpingedirektiivile 2014/35/EL, ROHS direktiividele 2015/863/EL ja 2017/2102/EL ning määrusele 2013/814/EL, millega täiendatakse ökodisaini direktiivi 2009/125/EÜ.
- 1.21 Ärge visake boilerit olmeprügi hulka, vaid viige see selleks määratud kohta (kogumispunkt), kus seda saab ringlusse võtta.



- 1.22 Selle seadme kasutusjuhendi saate hankida müügijärgsest teenu-
sest.
- 1.23 See kuumaveeboiler on varustatud termostaadiga, mille töötem-
peratuur maksimaalse temperatuuri asendis on üle 60 °C ja mis
on suuteline piirama Legionella bakterite levikut paagis. Tähele-
panu! Vesi, mille temperatuur on üle 50 °C, võib kiiresti tekitada
tugevaid põletusi. Enne duši alla või vanni minemist kontrollige
veetemperatuuri.
- 1.24 Kontrollige regulaarselt, ega torustikus pole lekkeid.

2. PAIGALDAMINE

- Vaadake vastavaid skeeme lk 3 ja 4 (vt paremal asuvat tabelit):
- Jätke torude alla 300 mm vaba ruumi kütteelemendi vahetamiseks.
- Ø 505 seadmete vertikaalseks paigaldamiseks on saadaval va-
likuline tugi, mida tuleb kasutada juhul, kui sein ei ole piisavalt
tugev. Toe kasutamisel on seadme ümbermineku vältimiseks ko-
hustuslik boiler ülemise klambriga seina külge kinnitada.
- Horisontaalseks paigaldamiseks peavad vee ühendustorud aset-
sema seadme all alati vertikaalasendis.

Läbimõõt	Vertikaalne paigaldus	Horisontaalne paigaldus
Ø255	Vt joonist ② all ja ③ kohal	
Ø338	Vt joonist ② all ja ③ kohal	Vt joonist ⑥
Ø380 Ø433 Ø505	Vt joonist ④ ja ⑤	Vt joonist ⑥
	Vt joonist ⑤	

3. HÜDRAULILISED ÜHENDUSED


- Enne hüdrauliliste ühenduste tegemist tuleb puhastada toitevee torustik. Ühendus kuuma vee väljalaskega tuleb teha malm- või terasmuhvi või dielektrilise liitmikuga, et vältida toru korrosiooni (otsekontakt raud/vask). Messingist liitmike kasutamine on keelatud.

SURVESTATUD PAIGALDIS: Vt joonist ⑦, ⑧, ⑨ ja ⑩, lk 4. Paigaldage boileri külma vee torule alati uus ohutusseadis, mis vastab standarditele (EN 1487 Euroopas), vastavalt nimirõhule rõhuga 0,7 või 0,8 MPa (7 või 8 bar), läbimõõduga 1/2" või 3/4" (tabel lk 1).

SURVESTAMATA PAIGALDIS: Vt joonist ⑪ ja ⑫, lk 4. Ühe kasutuspunkti varustamiseks tuleb paigaldamisel kasutada valikulist spetsiaalset segistit.

- **Kuumutamise ajal võib ventiili juurest hakata vett tilkuma, ärge takistage tilkumist.** Kui kaitseklappi ei ühendata vahetult külmaveesisendile, tuleb vahetult külmaveesisendile ühendada dielektriline muhv või malmuhv. Messing on keelatud.

4. ELEKTRIÜHENDUSED

- Vaadake vastavaid skeeme lk 4 ja 6 (vt joonist ⑬, ⑭, ⑮, ⑯, ⑰, ⑱, ⑲, ⑳, ㉑, ㉒).
- Vastavalt seadme andmeleplaadile tohib boileri ühendada ja seda kasutada ainult 230 V või 220-240 V vahelduvvoolu toiteühendusega. Ühendage boiler jäiga kaabliga, mille juhtmete läbimõõt on 2,5 mm². Kasutage standardiseeritud kanalit (jäik või painduv kõri) kuni kalibreeritud korpuse katteni.
- Ühendage seadmed otse kaabli või pistikuga. Prantsusmaal on pistikuga toode rangelt keelatud ning seda ei või müüa ega paigaldada.
- Ühendage kaabli maandusjuht alati maandusjuhtme külge või ühendage maandusjuht vastava sümboliga tähistatud klemmiga . See ühendus on kohustuslik ohutuse tagamiseks. Roheline-kollane maandusjuhe peab olema pikem kui faaside juhtmed. Elektriühendusele tuleb enne seadet paigaldada mitmepooluseline lüliti (kaitselüliti min kontaktivahe 3 mm). Juhul kui hüdraulilised ühendused on isoleeritud materjalist, peavad elektriabelad olema kaitstud kohalike standarditega kohandatud lahutava 30 mA kaitselülitiga.
- Termiline kaitselüliti. Kõik tooted on varustatud termostaadiga, sealhulgas käsitsi lähtestusega termilise kaitselülitiga, mis katkestab ülekuumenemise korral voolu. Kaitselüliti rakendamisel A: enne mis tahes toimingut lülitage vool välja. B: eemaldage plastkate. C: kontrollige elektriühendust. D: lähtestage kaitselüliti. Korduva rakendamise korral vahetage termostaat välja. Mitte kunagi ei tohi tekitada möödaviiku ohutus- või reguleerimistermostaadist. Ühendage toide ainult pistikupesade või termostaadi sisendiga.

5. KÄIVITAMINE

- **MITTE KUNAGI EI TOHI SISSE LÜLITADA VEEGA TÄITMATA BOILERIT!** Elektrilise kütteelemendiga mudelid saavad igal juhul kahjustusi.
- Täitke paak täielikult. Enne sisselülitamist avage kuumaveekraanid, et torudest õhk välja lasta.
- Kontrollige torude ja plastkatte all asuva ääriku tihendi tihedust. Lekke korral pingutage mõõdukalt. Kontrollige, kas hüdraulilised komponendid ja kaitseklapp on töökorras.
- Lülitage toide sisse. 15–30 minutit (sõltuvalt seadme võimsusest) pärast sisselülitamist peaks äravoolust hakkama vett tilkuma. See on tavapärane ja tekib vee paisumise tõttu. Kontrollige, ega ühendus ei leki, ja tihendage see. Kuumutamise ajal ja sõltuvalt vee kvaliteedist võib boilerist kosta mulisevat müra. Selline müra on tavapärane ega viita seadme defektidele.
- Termostaat on tehases seadistatud seiskuma temperatuuril 65 ± 5 °C. **Kui äravoolust või segisti avamisel väljub pidevalt auru või kuuma vett, lülitage boileri toide kohe välja ja helistage tehnikule.**

6. HOOLDUS

- **Kontrollige enne mis tahes toimingut, kas toide on välja lülitatud, et vältida vigastuste või elektrilöögi ohtu.**
- **Turvaseadise rakendamisel** lülitage toitevool enne mis tahes toimingut välja ja laske katkestuslülitil lähtestada spetsialistil.
- **Koduse hoolduse** peab tegema kasutaja. Käituge ohutusseadet iga kuu, et vältida katlakivi teket ja kontrollida, ega see pole blokeeritud. Selle hoolduse tegemata jätmine võib põhjustada kahjustusi ja garantii katkemise. **Hooldus mida teeb kvalifitseeritud tehnik A:** Katlakivi eemaldamine: Eemaldage mudana ladestunud katlakivi. Katte kahjustamise vältimiseks ärge kriimustage ega taguge seintele kinnitunud katlakivi. Ärge unustage, et vahetada tuleb tihend, seade tuleb uuesti kokku monteerida ja kontrollida pärast esimest kuumutamist, et vett ei lekiks. **B:** Magneesiumnoodiga seadmete puhul vahetage magneesiumnood iga kahe aasta järel või niipea, kui selle läbimõõt langeb alla 10 mm. **C:** Ümbrisega kütteelemendi vahetamisega kaasneb boileri tühjendamine ja tihendi vahetamine. Monteerige kütteelement uuesti kokku, pingutage mutreid piisava momendiga (ristmuustris), kontrollige pärast esimest kuumutamist võimalike lekete ilmumist ning pingutage mutrid vajaduse korral üle. **D:** Tühjendamine: Lülitage välja toide ja külmaveearustus, avage kuumaveekraanid ja ohutusseadise äravooluklapp. Valamu all oleva boileri puhul lahutage tühjendamiseks torud ja tagasivool.
- Vahetatavad osad on: termostaat, tihend, kütteelement, magneesiumnood, kaabel, kate, tuli ja lülitid. Garantii eelduseks on tootja originaalvaruosade kasutamine. **NÕUANNE KASUTAJALE:** Suure karedusega vee korral TH> 20 °f (> 200 ppm) soovime vett pehmemdada. Veepehmemdaja kasutamise tulemusel peaks töödeldud vee kareduse väärtus olema üle 15 °f. Pikema eemaloleku korral ja eriti talvel tühjendage boiler ning järgige seejärel käivitamise toiminguid.


7. GARANTII (ET)

- Vastavalt tehase ja kauba maaletooja, SCGA vahelisele kokkuleppele antakse tarbija tarvis tootele garantii müügikuupäevast:
- 5 aastat termosele, 2 aastat elektriosale – N3C (SLIM), D400 (Opro+), D400 STEATITE
 - 3 aastat termosele, 2 aastat elektriosale - PC, N4 seeria boileritele N4E (E-Series), N4L (Round)
- Garantiijuhtumi korral võta ühendust paigaldaja või müüjaga. Kui vajalik, leia kedagi SCGA - Tel: (+33)146836000, 2 allée Suzanne Penillault-Crapez 94110 Arcueil (France) kes ütleks mida peab tegema.
- Garantii kehtivuse eelduseks on müüjatempel, -allkiri ning müügikuupäev boileri juhendil. Garantii kehtib ainult Eesti Vabariigi territooriumil. Turustamisel väljaspool EV-d vastutab garantii eest edasimüüja. Garantii näeb ette kõigi meie tehnilise personali poolt garantiile alluvaks praagiks tunnistatud osade väljavahetamist. Kahjutasunõuded on välistatud. Tähtsaimaks garantiitingimuseks on käesoleva juhendi nõuetest kinnipidamine.
- ERITI RÕHUTAME:**
- **magneesiumnoodi kontroll / vahetus – esimene kord pärast kolme tööaastat, seejärel iga 2 aasta tagant (või tihemini olenevalt vee kvaliteedist);**
 - õige ühendus külmaveevõrku (ühendamisel soojaveevõrku katkeb garantii!);
 - õige elektriühendus, maanduse olemasolu;
 - kaasasoleva kaitseklapi ühendamine boileri külmaveesisendile;
 - kaitseklapi töökorras olek – klapp pole vigastatud ülekeeramise tõttu.
 - horisontaalboileriga kaasas oleva vahemuhvi ühendamine külmaveesisendi ja kaitseklapi vahele (kui on komplektis);
 - dielektrilise vahemuhvi ühendamine vahetult boileri kuumaveeväljundile;
 - õige veega täitmine - kuni lahtisest kuumaveekraanist väljub vesi;
 - paigaldamine külmumiskindlasse ruumi;
 - **garantiireklameerimisel tuleb boiler jätta seinale kuni meie spetsialisti saabumiseni. Mahavõetud boileri puhul ei saa me reklamatsiooni arvestada garantiiteenuse raames.**
 - valeväljakutse garantiireklamatsiooni nime all on tasuline. Mittetasumise korral katkeb koheselt garantii.
- SCGA poolne garantii ei kehti samuti paigalduskoha iseärasuste tagajärjel tekkida võivate rikete korral (näit. vee mustumisest tingitud kaitseklapi ummistumine ning selle tagajärjed (õhupadi vms.)) -soovime soojalt filtrit sissevoolutorustikku!, toitepinge kõikumine või mittevastavus boilerile vm. väline mõju. Kütteekeha riknemine kuivalejäämise tõttu (tõestatav) ei allu garantiile.
- SAMUTI ei kehti garantii:
- vigaste lisaseadmete (kraanid jms.) tõttu tekkinud rikete puhul;
 - keemiliste või elektrokeemiliste mõjude tulemusena tekkinud rikete puhul;
 - välismõjudest tekkinud rikete puhul;
 - joogivee normatiividest kõrvalekalduva vee kasutamise puhul;
 - veesurve puhul üle 5 bar'i kui pole monteeritud survealandajat
 - elektriliste ülepingete korral;
 - ebanormaalse katlakivi tekke korral kütteekehale;
 - võõraste varuosade kasutamise korral;
- TEADMISEKS TARBIALE: SURVEBOILER EI ANNA TEILE KORRAGA MAHUGA VÕRDVÄÄRSET KOGUST VALITUD TEMPERATUURIL VETT - iga väljunud liitri kuuma veega siseneb boilerisse veevõrgust liiter külma vett!**
- NB. Tootja jätab endale õiguse teha muudatusi toote juures toodangu täiustamise huvides. Kui need ei kajastu Teie boileri eestikeelses juhendis, pöörduge palun probleemide korra SCGA poole.

ВНИМАНИЕ! Этот прибор не предусмотрен для использования детьми, а также людьми с ограниченными физическими, сенсорными, умственными способностями или людьми без опыта или технических знаний за исключением случаев, когда ими была изучена инструкция по использованию прибора и они находятся под наблюдением ответственного за их безопасность лица. Прибор – не игрушка, поэтому дети должны находиться под постоянным присмотром взрослых. Данный прибор может быть использован детьми начиная с 3-летнего возраста, а также людьми с ограниченными физическими, сенсорными, умственными способностями или людьми без опыта или технических знаний при условии, что их действия контролируются, или что ими была изучена инструкция по использованию прибора и они приняли во внимание возможные риски. Детям запрещено играть с прибором. Чистка и обслуживание устройства не может осуществляться детьми без присмотра. Детям в возрасте от 3 до 8 лет разрешается только пользоваться краном, подключенным к водонагревателю.

УСТАНОВКА

1. **ВНИМАНИЕ!** Тяжелый предмет, обращайтесь осторожно:
 - 1.1 Устанавливайте прибор в помещении, защищенном от минусовых температур. Повреждение прибора вследствие внесения изменений в работу группы безопасности не покрывается гарантией.
 - 1.2 Убедитесь в том, что стена выдержит вес прибора, заполненного водой.
 - 1.3 Если прибор устанавливается в помещении, где постоянная температура превышает +35 °C, организуйте вентиляцию в этом помещении.
 - 1.4 В ванных комнатах не устанавливайте прибор в зонах V1 или V2 (см. рис. 1, стр. 3). При недостатке свободного пространства прибор можно установить в зоне V2 или как можно выше в зоне V1 для горизонтальных моделей.
 - 1.5 обращайтесь к монтажным схемам 1.
 - 1.6 Описываемое изделие предназначено для использования на высоте не более 3000 м над уровнем моря.
 - 1.7 Размещайте прибор в легкодоступном месте.
 - 1.8 Крепление водонагревателя, предназначенного для монтажа на вертикальных стенах: Для того чтобы обеспечить возможность замены нагревательного элемента, необходимо оставить свободное пространство (300 мм для прибора до 100 литров и 480 мм для прибора большей емкости) под нижними концами труб водонагревателя.

- 1.9 Обязательно установите бак-отстойник под водонагревателем, если он находится над навесным (натяжным) потолком, на чердаке или над жилыми помещениями. Требуется подключение слива к канализации.
- 1.10 На входе водонагревателя следует обязательно установить новый предохранительный клапан, соответствующий действующим стандартам (на территории Европы EN 1487), рассчитанный на давление 0,7 или 0,8 МПа (7 или 8 бар), диаметром 1/2" или 3/4". Предохранительный клапан должны быть защищены от минусовых температур.
- 1.11 Для удаления известкового налета необходимо регулярно включать дренажный клапан и следить за тем, чтобы он не закупоривался.
- 1.12 Редуктор давления (в комплект поставки не входит) необходим в том случае, если давление водопроводной воды превосходит 0,5 МПа (5 бар). Его следует установить на подводящий трубопровод.
- 1.13 Подключите группу безопасности к сливному шлангу, в котором нет давления, который расположен вне помещения и защищен от минусовых температур, в постоянно ниспадающем направлении для стока воды при расширении или при сливе воды.
- 1.14 ДРЕНАЖ: Отключите электрическое питание и перекройте подачу холодной воды, откройте краны с горячей водой. Не забудьте поменять положение клапана безопасности перед тем, как начать процедуру.
- 1.15 ПРИМЕЧАНИЕ: Для моделей, установленных под раковиной, отключите гидравлическую систему и переверните для слива воды.
- 1.16 Во избежание поражения электрическим током или получения травмы перед снятием лицевой панели убедитесь в том, что электропитание отключено.
- 1.17 На входе прибор следует оснастить однополюсным прерывателем цепи (предохранителем, автоматическим выключателем) в соответствии с действующими местными правилами установки (прибор остаточного тока 30 мА).
- 1.18 Поврежденный шнур необходимо заменить специальным шнуром или соответствующим комплектом, который можно приобрести у изготовителя или в авторизованном сервисном центре.
- 1.19 Заземление обязательно. Для этой цели предусмотрена клемма, отмеченная символом .

- 1.20 Описываемые приборы соответствуют требованиям директив 2014/30/EU в отношении электромагнитной совместимости, 2014/35/EU в отношении низковольтного оборудования, 2015/863/EU и 2017/2102/EU в отношении ограничений по использованию вредных веществ, и регламента 2013/814/EU, дополняющего директиву 2009/125/ЕС в отношении требований к экологическому проектированию продукции, связанной с энергопотреблением.
- 1.21 Не выбрасывайте водонагреватель вместе с бытовыми отходами: сдайте его в специально отведенное для этого место (пункт сбора), чтобы его можно было отправить на повторную переработку.
- 1.22 Инструкцию по эксплуатации этого прибора можно получить в центре послепродажного обслуживания.
- 1.23 Водонагреватель оборудован термостатом с максимальной рабочей температурой выше +60 °С, ограничивающей развитие бактерий легионеллы в баке. Осторожно! При температуре воды выше 50 °С существует опасность получения ожогов. Прежде чем принять ванну или душ, проверьте температуру воды.
- 1.24 Регулярно проверяйте трубопроводы на предмет отсутствия протечек.



2. УСТАНОВКА

- См. соответствующие схемы, приведенные на стр. 3 и 4 (см. таблицу справа);
- Обязательно оставьте под трубами свободное пространство высотой 300 мм для замены нагревательного элемента.
- Для вертикальной установки устройств Ø 505 если стена недостаточно прочная, доступна дополнительная опора для пола. Тем не менее, необходимо закрепить устройство на стене с помощью верхнего кронштейна, чтобы избежать опрокидывания.
- При горизонтальной установке трубы подключения воды всегда должны находиться в вертикальном положении под устройством.

Диаметр	Вертикальная установка	Горизонтальный монтаж
Ø255	См. рис. ниже ② & выше ③	
Ø338	См. рис. ниже ② & выше ③	См. рис. ⑥
Ø380 Ø433	См. рис. ④ & ⑤	См. рис. ⑥
Ø505	См. рис. ⑤	

3. ГИДРАВЛИЧЕСКОЕ ПОДКЛЮЧЕНИЕ

- Прежде чем приступать к гидравлическому подключению, необходимо очистить подводящий трубопровод. Подсоединение трубопровода к выходу горячей воды водонагревателя осуществляется с помощью чугунного или стального патрубка или диэлектрической муфты во избежание коррозионного повреждения трубопровода (вследствие непосредственного соприкосновения железных и медных поверхностей). Использование латунных фитингов запрещено.

УСТАНОВКА ПОД ДАВЛЕНИЕМ: См. рис. ⑦, ⑧, ⑨ & ⑩, стр.4. Всегда устанавливайте новый предохранительный клапан, соответствующий действующим стандартам (на территории Европы EN 1487), рассчитанный на давление 0,7 или 0,8 МПа (7 или 8 барг) в зависимости от номинального давления, с диаметром 1/2" или 3/4" (таблица стр.1).

УСТАНОВКА БЕЗ ДАВЛЕНИЯ: См. рис. ⑪ & ⑫, стр.4. Для обеспечения единой точки использования установка должна быть оснащена специальным смесителем, который можно приобрести по отдельному заказу.

- **Во время нагрева из клапана может капать вода. Не препятствуйте этому.** Группа безопасности, если она входит в комплект, не соответствует требованиям, предъявляемым к гидравлическому оборудованию во Франции (на материковой части и на заморских территориях), не используйте ее.

4. ЭЛЕКТРИЧЕСКОЕ ПОДКЛЮЧЕНИЕ

- См. соответствующие схемы стр. 4 и 6 (см. рис. (13, 14, 15, 16, 17, 18, 19, 20, 21, 22)).
- Эксплуатация водонагревателя возможна только при подключении к сети переменного тока с напряжением 230 В или 220–240 В согласно данным, указанным на паспортной табличке прибора. Подключайте нагреватель жестким кабелем с жилами площадью поперечного сечения 2,5 мм². Используйте стандартный канал (жесткий или гибкий кабелепровод), прокладывая его до калиброванной крышки корпуса.
- Подключайте устройства непосредственно с помощью кабеля или вилки. На территории Франции запрещены продажа и установка изделий, оснащенных кабельной вилкой.
- Обязательно подключайте заземляющий проводник кабеля к заземляющему проводу или к соответствующей клемме, обозначенной символом . Такое соединение строго необходимо в целях безопасности. Заземляющий зелено-желтый провод должен быть длиннее фазных проводов. На входе прибор следует оснастить двухполюсным прерывателем цепи (предохранителем с расстоянием между контактами не менее 3 мм, автоматическим выключателем). Если гидравлические соединения выполнены из изолированного материала, электрические цепи должны быть защищены дифференциальным автоматическим выключателем 30 мА, который адаптирован к местным стандартам.
- Тепловая отсечка: все изделия оснащаются термостатом, в который встраивается тепловой выключатель с ручным сбросом, отключающий питание в случае перегрева. При срабатывании защитной функции выполните следующие действия. А: Перед выполнением любых операций отключите питание. В: снимите пластмассовую крышку. С: Проверьте электропотребление. D: выполните сброс защитной функции. Если срабатывание происходит слишком часто, замените термостат. Ни в коем случае не выполняйте обход защитной функции или регулирующего термостата. Подключайте питание только к розеткам или входу термостата.

5. ЗАПУСК

- **НИ В КОЕМ СЛУЧАЕ НЕ ВКЛЮЧАЙТЕ ВОДОНАГРЕВАТЕЛЬ БЕЗ ВОДЫ:** прибор с электронагревательным элементом будет необратимо поврежден.
- Перед включением водонагревателя полностью заполните его. Перед включением питания откройте краны горячей воды до появления однородной струи воды, чтобы выпустить воздух.
- Проверьте герметичность патрубков и фланцевого уплотнения под пластмассовой крышкой. В случае утечки подтяните соединения умеренным усилием. Проверьте работу гидравлических компонентов и предохранительного клапана.
- Включите электропитание. Через 15–30 минут (в зависимости от мощности прибора) должно начаться капельное подтекание воды через сливную трубку. Это нормально и является следствием теплового расширения воды. Проверьте соединения и уплотнения на герметичность. Во время нагрева и в зависимости от качества воды внутри водонагревателя может появляться булькающий звук. Этот звук не является отклонением от нормы и не указывает на неисправность прибора.
- На заводе термостат настроен на остановку при температуре 65 ± 5 °С. **Заметив непрерывное выделение пара или горячей воды из сливной трубки или при открывании крана, немедленно отключите питание водонагревателя и вызовите специалиста.**

6. ОБСЛУЖИВАНИЕ

- **Во избежание поражения электрическим током или получения травмы перед любой операцией обязательно отключите электропитание.**
- **В случае аварийного срабатывания** обесточьте сеть перед выполнением любых действий и обратитесь к специалисту для повторного включения автоматического выключателя.
- **Домашнее обслуживание** должен выполнять пользователь. Один раз в месяц проверьте предохранительный клапан для предотвращения скопления накипи и для проверки свободного протока. Невыполнение этой операции технического обслуживания может привести к повреждению и потере гарантии. **Техническое обслуживание, выполняется специалистом** не позднее 10 дней по истечению указанного ниже срока от даты покупки ЭВН и даты проведения последнего сервисного обслуживания: – модели ROUND (VMR), EGO (VM D400-1-M), OPRO (PC), OPRO (Plus) (VM D400-1-M), OPRO Turbo (VM D400-2-B) – 12 месяцев. При использовании ЭВН на производстве, в сферах услуг и в местах общественного питания – 6 месяцев; – модели STEATITE (VM D400-2-BC, D325-2-BC) – 24 месяца. При использовании ЭВН на производстве, в сферах услуг и в местах общественного питания – 12 месяцев. **Техническое обслуживание состоит из А:** Образование накипи: Удалите отложения накипи, скопившиеся в виде грязи. Не пытайтесь соскрести или отбивать накипь, прилипшую к стенкам, чтобы не повредить покрытие. Не забудьте заменить уплотнительную прокладку и собрать прибор, после первого нагрева убедитесь в отсутствии утечек. **В:** в приборах с магниевым анодом необходимо заменять магниевый анод в соответствии с регламентом или если диаметр анода становится меньше 10 мм. **С:** при замене нагревательного элемента в оболочке необходимо слить воду из водонагревателя и заменить уплотнение. Верните на место нагревательный элемент, плотно затяните гайки (перекрестной затяжкой), проверьте наличие утечек после первого нагрева и при необходимости повторите затяжку. **Д:** Дренаж: Отключите подачу электропитания и холодной воды, откройте краны горячей воды и сливной клапан группы безопасности. Для опорожнения водонагревателя, размещаемого под раковиной, отсоедините гидравлические патрубки и возвратную линию.
- Сменными запасными частями являются: термостат, прокладка, нагреватель, магниевый анод, кабель, крышка, индикатор и выключатель. Гарантия сохраняется при условии использования оригинальных запасных частей, выпускаемых изготовителем изделия. **СОВЕТ ПОЛЬЗОВАТЕЛЮ:** жесткую воду с показателем TH > 20 °f (>200 ppm) рекомендуется умягчать. При использовании умягчителя воды остаточная жесткость должна быть не менее 15 °f. В случае длительного неиспользования, особенно зимой, сливайте воду из прибора, а затем выполняйте процедуру запуска.

7. ГАРАНТИЯ (RU)

- Водонагреватель должен быть установлен, должен использоваться и обслуживаться в соответствии с нормами, действующими в стране установки, и в соответствии с указаниями настоящего руководства.
- Датой исчисления гарантийного срока считается дата продажи водонагревателя, отраженная в кассовом чеке (либо ином фискальном документе). При отсутствии кассового чека, гарантийный отсчет, ровно как и начало эксплуатации прибора, принимаются с даты производства, указанной на шильдике водонагревателя. Замена компонента не влечёт за собой продление срока гарантии прибора.
- Гарантия покрывает бесплатную замену ёмкостей и элементов, признанных неисправными авторизованными сервисными центрами уполномоченного представителя на территории.
- К расходным частям, не заменяемым по гарантии, относят детали планово заменяемые при сервисном обслуживании: магниевый анод, уплотнители (прокладки) фланца и нагревательного элемента.
- При покупке ЭВН Atlantic требуйте правильного заполнения гарантийных документов, проверки внешнего вида изделия, целостности его элементов и комплектности. Претензии, касающиеся механических повреждений и некомплектности ЭВН, после продажи не принимаются.
- Водонагреватель подлежит обязательному сервисному обслуживанию (см. п. ОБСЛУЖИВАНИЕ), которое должно проводиться уполномоченным сервисным центром, или иной уполномоченной организацией. При проведении сервисного обслуживания необходимо использовать оригинальные комплектующие и запасные части. Работы по сервисному обслуживанию и изменения расходных материалов оплачивает Потребитель согласно действующему прейскуранту сервисного центра.
- При возникновении неисправностей потребитель обязан отключить ЭВН от электросети и от системы водоснабжения. Изготовитель не несет ответственности за отклонения параметров электросети и сети водоснабжения от нормы и их техническое состояние, а также неисправности ЭВН вызванные этими отклонениями.
Гарантийный ремонт производится в следующих случаях: разгерметизация (течь) бака; неисправность ТЭНа; неисправность терморегулятора; неисправность сигнальной лампочки; неисправность предохранительного клапана (кроме случаев сброса воды через сливное отверстие, см. п. 5).
- **Гарантийное обслуживание не производится в случаях:** несоблюдение правил хранения, транспортировки, установки, подключения и эксплуатации изделия; механических повреждений изделия; внесение технических изменений в изделие; использование прибора не по назначению; отсутствие магниевого анода, установленного в месте, предусмотренном производителем в середине рабочего бака водонагревателя; нарушение условий гарантийного обслуживания; отсутствия заземления, если это привело к выходу из строя компонентов водонагревателя; нарушение требований по ежегодному обслуживанию (отсутствие Актов, свидетельствующих о проведении сервисного обслуживания специалистом авторизованного сервисного центра или уполномоченной организацией).
Производитель оставляет за собой право вносить изменения в руководство по эксплуатации без уведомления потребителей.
- **Гарантийные обязательства**
Гарантийный срок эксплуатации товара составляет 24 месяца при обязательном условии проведения сервисного обслуживания в порядке, предусмотренным данным руководством.
- Гарантийный срок на водосодержащую ёмкость может быть увеличен на дополнительный год при условии проведения сервисного обслуживания авторизованным сервисным центром, однако суммарное значение не может превышать: 36 месяцев (модели Round (VMR), EGO (VM D400-1-M)), 60 месяцев (модели O'Pro Plus (VM D400-1-M), O'Pro Turbo (VM D400-2-B)), 84 месяцев (модели Steatite (VM D400-2-BC, VM D325-2-BC)).
- Производитель или уполномоченный представитель не берут на себя ответственность в случае, если товар транспортировался, монтировался, эксплуатировался и обслуживался с нарушением требований данной инструкции или нарушением действующих строительных норм.
- Срок службы изделия составляет для моделей серии: Ego , Round - 36 месяцев;; O'pro - 60 месяцев; все модели Steatite - 84 месяца. Опираясь сроками, ориентируйтесь на дату производства оборудования.

Импортер в России и уполномоченное изготовителем лицо: ООО Атлантик Неман.

Адрес: 107023, г. Москва, Семеновская пл., 1 А, 24 этаж пом. XXXIII ком 9, Россия, тел. (495)640-16-35


Производитель: Завод «УКРАТЛАНТИК», Адрес: 67663. Украина, Одесская обл., Беляевский р-н, с. Усатово, ул. Агрономическая, 225 Код ЕДРПОУ 35008375	Производитель: Atlantic ECET (Energy Company for Energy Technology) SAE Industrial Zone A 1, West Block-10th of Ramadan City Egypt	Производитель: АТЛАНТИК ДЖОРДЖИА Автомшенебели, 88, Свободная Промышленная Зона, Кутаиси, Грузия, 4600
--	---	--

VAROVÁNÍ: Tento přístroj nesmějí používat osoby (včetně dětí) se sníženými fyzickými, smyslovými nebo mentálními schopnostmi, jakož i osoby, které nemají náležitě zkušenosti a znalosti, kromě případů, kdy jim při tom pomáhá osoba, která je odpovědná za jejich bezpečnost a dozor nebo která je předem poučí o tom, jak přístroj používat. Je vhodné dohlížet na děti, abyste si byli jistí, že si s přístrojem nehrají. Toto zařízení mohou používat děti starší 3 let a osoby s omezenými fyzickými, smyslovými nebo duševními schopnostmi nebo osoby bez zkušenosti či znalosti, pokud mají patřičný dozor nebo pokud jim byly poskytnuty pokyny o bezpečném používání a pokud berou v úvahu nebezpečí. Děti si se zařízením nesmí hrát. Děti nesmí bez dozoru provádět čištění a údržbu. Děti ve věku mezi 3 a 8 lety mohou obsluhovat pouze kohout připojený k ohřívači vody.

INSTALACE

1. **POZOR!** Těžký předmět, manipulujte s ním opatrně:

- 1.1 Zařízení nainstalujte na místo chráněné před mrazem. Záruka se nevztahuje na poškození zařízení z důvodu neoprávněné manipulace s bezpečnostním zařízením.
- 1.2 Zkontrolujte, zda stěna, na které je zařízení zavěšeno, unese zátež zařízení naplněného vodou.
- 1.3 Jestliže se zařízení instaluje v místnosti nebo v oblasti, kde se okolní teplota drží nepřetržitě nad 35 °C, zajistěte v místnosti řádné větrání.
- 1.4 Zařízení o objemech V1 a V2 (viz obr. 1, str. 3) neinstalujte do koupelny. V případě nedostatku místa je možné instalovat zařízení v objemu V2 nebo nejvyšší možné v objemu V1 u horizontálních modelů.
- 1.5 Viz obrázky k instalaci 1.
- 1.6 Toto zařízení je určeno k použití v maximální nadmořské výšce 3 000 m.
- 1.7 Umístěte zařízení na přístupném místě.
- 1.8 Instalace ohřívače vody na zeď ve svislé poloze: aby byla v budoucnu možná výměna topného tělesa, ponechte mezi konci trubek volný prostor (300 mm pro až 100 litrů a 480 mm pro vyšší kapacitu).

- 1.9 Pokud je ohřívač instalován nad zavěšeným podhledem, v podkrovní nebo nad obytným prostorem, je nutné pod něj umístit sběrnou nádobu. Instalace rovněž vyžaduje vypouštěcí zařízení připojené ke kanalizaci.
- 1.10 Jste povinni nainstalovat nové bezpečnostní zařízení, které vyhovuje platným normám (EN 1487 v Evropě): hodnota tlaku 0,7 nebo 0,8 MPa (7 nebo 8 bar) a velikost 1/2" nebo 3/4" v průměru. Bezpečnostní ventil musí být chráněn před mrazem.
- 1.11 Pravidelně testujte přetlakový ventil, aby se odstranil usazený vodní kámen a zkontrolovalo se, že není ucpaný.
- 1.12 Na hlavní přívodní potrubí je nutné instalovat redukční ventil (není součástí dodávky), pokud je přívodní tlak vyšší než 0,5 MPa (5 barů).
- 1.13 Bezpečnostní jednotku připojte k odpadnímu potrubí, které vede otevřeným prostranstvím, v prostředí chráněném před mrazem a se sklonem pro odvod zkapalněné vody nebo pro vypouštění ohřívače vody.
- 1.14 **VYPOUŠTĚNÍ:** Vypněte přívod elektřiny a uzavřete přívod studené vody, otevřete ventil teplé vody a poté použijte vypouštěcí ventil bezpečnostního zařízení.
- 1.15 **POZNÁMKA:** U bojlerů umístěných pod dřezu odpojte před vypouštěním hydraulickou jednotku a otočte ji dnem vzhůru, aby se vyprázdnila.
- 1.16 Před demontáží krytu se přesvědčte, že je napájení vypnuté, abyste předešli riziku zranění nebo elektrického šoku.
- 1.17 Před spotřebičem musí být nainstalováno zařízení pro přerušení všech pólů (elektrický jistič, pojistka), které splňuje platné místní předpisy (30mA proudový chránič).
- 1.18 Je-li napájecí kabel poškozen, musí být nahrazen speciálním kabelem nebo sestavou dostupnou u výrobce nebo v poprodejním servisu.
- 1.19 Uzemnění je povinné. K tomuto účelu je určena speciální svorka označená symbolem .
- 1.20 Tato zařízení jsou v souladu se směrnicí 2014/30/EU o elektromagnetické kompatibilitě, 2014/35/EU o nízkém napětí, 2015/863/EU a 2017/2102/EU o nebezpečných látkách a 2013/814/EU, která doplňuje směrnicí 2009/125/ES o ekodesignu.

- 1.21 Nelikvidujte kotel společně s odpadem, ale odevzdejte ho na místě k tomuto účelu určeném (sběrné místo), kde ho lze zrecyklovat.



- 1.22 Návod k obsluze tohoto zařízení je k dispozici v poprodejním servisu.
- 1.23 Tento bojler je vybaven termostatem, který v poloze maxima zajišťuje provozní teplotu vyšší než 60 °C, čímž redukuje množení bakterií legionella v nádrži. Pozor! Voda o teplotě nad 50 °C může způsobit okamžité popáleniny. Před koupáním nebo sprchováním si nezapomeňte zkontrolovat teplotu vody.
- 1.24 Pravidelně kontrolujte, že nedochází k unikání z potrubí.

2. INSTALACE

- Řiďte se příslušnými schémata na str. 3 a 4 (viz tabulku vpravo):
- Ujistěte se, že se pod trubkami nachází 300 mm prostoru pro případ výměny topného tělesa.
- V případě instalace zařízení s Ø 505 ve svislé poloze, pokud není stěna dostatečně pevná, je k dispozici volitelné vybavení v podobě pozemní podpěry. Přesto však je povinné jednotku připevnit ke stěně pomocí horní konzole, aby nedošlo k naklonění.
- U instalace ve vodorovné poloze se musí trubky pro připojení vody vždy nacházet ve svislé poloze pod zařízením.

Průměr	Svislá montáž	Instalace ve vodorovné poloze
Ø255	Viz obr. pod ② a nad ③	
Ø338	Viz obr. pod ② a nad ③	Viz obr. ⑥
Ø380 Ø433	Viz obr. ④ a ⑤	Viz obr. ⑥
Ø505	Viz obr. ⑤	

3. HYDRAULICKÉ ZAPOJENÍ

- Před připojením hydrauliky je nutné vyčistit přívodní potrubí. Připojení k výpusti teplé vody je třeba provádět pomocí litinové nebo ocelové objímky, případně přírubového spoje, aby nedošlo k rezavění potrubí (přímý kontakt železa a mědi). Použití mosazných součástí je zakázáno.

MONTÁŽ TLAKOVÉHO OHŘÍVAČE: Viz obr. ⑦, ⑧, ⑨ a ⑩, s. 4. Na potrubí bojleru určeném pro studenou vodu installejte vždy nové bezpečnostní zařízení, které vyhovuje normám (v Evropě EN 1487): hodnota tlaku 0,7 nebo 0,8 MPa (7 nebo 8 bar) odpovídající jmenovitému tlaku, průměr 1/2" nebo 3/4" (tabulka str. 1).

INSTALACE BEZ TLAKU: Viz obr. ⑪ a ⑫, s. 4. Pro přívod do jednoho místa použití musí být instalace provedena za použití volitelného vybavení v podobě speciální směšovací baterie.

- **Během ohřívání může z ventilu kapat voda – tomuto kapání nezabraňujte.** Pokud dodaná bezpečnostní pojistka nespĺňuje kritéria montáže platná na území Francie (pevninské a zámořských území), nepoužívejte ji.

4. ELEKTRICKÉ ZAPOJENÍ

- Viz příslušná schémata s. 4 a 6 (viz obr. (⑬, ⑭, ⑮, ⑯, ⑰, ⑱, ⑲, ⑳, ㉑, ㉒)).
- Bojler je možné připojit a používat pouze při 230 V AC (střídavý proud) nebo 220–240 V AC (střídavý proud), podle výkonového štítku na zařízení. Bojler připojte pevným kabelem s vodiči 2,5 mm². Použijte standardní vodiče (pevné nebo flexi) až po kalibrovaný kryt.
- Přístroje přímo propojte pomocí kabelu nebo zástrčky. Ve Francii je výrobek se zástrčkou přísně zakázán a nelze jej prodávat ani instalovat.
- Zemnicí vodič kabelu vždy připojte k zemnicímu drátu nebo k patřičnému terminálu označenému symbolem ⊕. Toto připojení je povinné z bezpečnostních důvodů. Zelený zemnicí drát – žlutý musí být delší než fázové. Při montáži musí být nad spotřebičem dvoupólový jistič (minimální kontaktní vzdálenost 3 mm pojistky, přerušovače). V těchto případech, kdy jsou HYDRAULICKÉ spoje z izolovaného materiálu, by měly být elektrické obvody chráněny diferenciálním jističem 30 mA přizpůsobeným místním standardům.
- Tepelné vypnutí: Všechny výrobky jsou vybaveny termostatem včetně termálního jističe s manuálním restartem, který přístroj v případě přehřátí odpojí od elektřiny. Pokud pojistka vypadne A: Před jakýmkoli dalším postupem odpojte elektřinu. B: Odklopte plastový kryt. C: Zkontrolujte připojení k elektřině. D: Pojistku opět zapněte. V případě opakovaného vypadávání termostat vyměňte. U bezpečnostního ani regulačního termostatu nikdy neprovádějte bypass. Elektřinu připojte pouze do zásuvek nebo přívodu pro termostat.

5. SPOUŠTĚNÍ

- **NIKDY BOJLER NEZAPÍNEJTE BEZ VODY:** Modely s elektrickým topným článkem by se rozhodně poničily.
- Zcela naplňte nádrž. Před spuštěním otevřete kohouty teplé vody a vypusťte trubky, aby se z nich dostal vzduch.
- Zkontrolujte těsnost trubek a přírubového těsnění pod plastovým krytem. V případě prosakování mírně utáhněte. Zkontrolujte funkčnost hydraulických součástí a pojistného ventilu.
- Zapněte napájení. Po 15 až 30 minutách, podle kapacity přístroje, by měla z výpusti začít kapat voda. Jde o běžný jev způsobený expanzí vody. Zkontrolujte prosakování skrze spoje a těsnění. Během ohřívání a v závislosti na kvalitě vody může ohříváč vody vydávat bublavé zvuky. Jde o normální zvuk, který nenaznačuje žádnou poruchu zařízení.
- Termostat je z výroby nastaven na zastavení při 65 ± 5 °C. **Pokud pozorujete souvislý únik páry či horké vody z výpusti nebo při otevírání kohoutu, okamžitě ohříváč vody vypněte a přivolejte odbornou pomoc.**

6. ÚDRŽBA

- **Před provedením jakéhokoli úkonu se ujistěte, že je zařízení vypnuté, abyste se vyhnuli riziku jakéhokoli zranění či elektrického šoku.**
- **V případě aktivace zabezpečení** vypněte před prováděním jakéhokoli úkonu proud a opětovné sepnutí jističe nechte na odborníkovi.
- **Provádění domácí údržby** je povinností uživatele. Každý měsíc pohněte bezpečnostní pojistkou, abyste zabránili zanesení vodním kamenem, a zkontrolujte, zda není zablokována. Nevykonávání této údržby může zapříčinit poškození a ztrátu záruky.
Údržba kvalifikovaným personálem A: Zanesení vodním kamenem: Odstraňte usazený vodní kámen. Vodní kámen, který ulpí na stěnách, neškrábejte ani neomlaccujte, abyste nepoškodili nátěr. Nezapomeňte vyměnit těsnění, spotřebič znovu sestavit a zkontrolovat, že po prvním ohřívání nedošlo k prosakování. **B:** U zařízení s hořčíkovou anodou ji vyměňte každé dva roky, nebo jakmile se její průměr zmenší na méně než 10 mm. **C:** Výměna obaleného topného článku vyžaduje vypuštění ohříváče vody a výměnu těsnění. Topný článek opět namontujte, přiměřeně utáhněte matice (křížovým způsobem), zkontrolujte, zda po prvním ohřívání nedošlo k prosakování a v případě potřeby je utáhněte znovu. **D:** Vypouštění: Vypněte přívody elektřiny a studené vody, otevřete kohouty s teplou vodou a uvolněte bezpečnostní pojistku odpadního ventilu. U ohříváčů vody umístěných pod umyvadlem odpojte hydraulické trubky a po vyprázdnění je vraťte na místo.
- Mezi vyměnitelné součásti patří: termostat, těsnění, ohříváč, hořčíková anoda, kabel, kryt, světlo a vypínač. Záruka je podmíněna používáním originálních náhradních součástí od výrobce. **DOPORUČENÍ PRO UŽIVATELE:** V případě tvrdé vody o hodnotě > 20 °f (> 200 ppm) doporučujeme vodu změkčit. Použijete-li změkčovač vody, neměla by se její tvrdost dostat pod 15 °f. V případě delší nepřítomnosti a zvláště v zimě přístroj vypusťte a poté postupujte podle návodu na spuštění.

7. ZÁRUKA (CS)

Výrobek musí být nainstalován, používán a udržován v souladu s nejmodernějšími metodami a normami platnými v zemi provádění instalace a dále s pokyny v tomto manuálu.

V Evropské unii se na tuto jednotku vztahuje zákonná záruka, která je spotřebitelům poskytována v souladu s platnou směrnicí a nařízením a dále v souladu s právními předpisy platnými v zemi nákupu výrobku. Zákonná záruka je platná ode dne dodání zboží spotřebiteli.

Nad rámec této zákonné záruky může být na některé výrobky poskytována rozšířená záruka, která se vztahuje pouze na výměnu nádrže a součástí uznaných za vadné, s výjimkou výměn a přepravních nákladů. Viz tabulku níže. Tato záruka nemá vliv na jakákoli práva, která vám plynou z využití zákonné záruky. Platí v zemi koupě výrobku, je-li zároveň na stejném území namontován. Veškerá případná poškození musí být nahlášena uschovateli ještě před výměnou ze záruky a zboží zůstane k dispozici pojistným odborníkům a výrobcí.

	PC / E-SERIES / EGO	O'PRO / O'PRO + / STEATITE / CERAMICS
Obchodní záruka	2 roky	2 roky
Dodatečná obchodní záruka na nádrž	+1 rok	+3 roky

Výjimky: Části podléhající opotřebení: hořčíkové anody... Vybavení, ke kterému se nelze dostat (pro účely opravy, údržby či posouzení stavu je přístup náročný). Zařízení vystavená neobvyklým okolním podmínkám: mráz, venkovní podmínky, voda s neobvyklými chemickými vlastnostmi nesplňující podmínky pitnosti, rozvodná síť s výkyvy. Vybavení namontované bez zřetele na aktuálně platné standardy v zemi montáže: nesprávná či zcela chybějící bezpečnostní pojistka, abnormální koroze z důvodu použití nesprávných hydraulických přípojek (železný či měděný kontakt), nesprávné uzemnění, nevhodná tloušťka kabelu, nedodržení nákresů spojů v těchto pokynech. Vybavení neudržováno v souladu s těmito pokyny. Opravy či výměny částí či součástí vybavení nebyly provedeny nebo nebyly autorizovány společností odpovědnou ze záruky. Záruka je platná pouze na výrobky, které jsou vadné a posouzené společností odpovědnou ze záruky. K tomuto posouzení je povinné mít výrobky připraveny.


- Pro uplatnění záruky kontaktujte svého instalačního technika či prodejce. V případě potřeby kontaktujte: SCGA – Tel.: (+33)146836000, 2 allée Suzanne Penillault-Crapez 94110 Arcueil (Francie), abyste získali informace ohledně toho, jak postupovat.

UPOZORENJA: Ovaj uređaj ne smiju upotrebljavati osobe (uključujući djecu) smanjenih fizičkih, osjetilnih ili mentalnih sposobnosti ni osobe koje nemaju dovoljno iskustva ili znanja, osim u slučajevima kada su pod nadzorom osobe odgovorne za njihovu sigurnost ili kada su dobile upute o načinu upotrebe uređaja. Djeca moraju biti pod nadzorom tako da ona ne igraju s uređajem. Ovaj uređaj mogu upotrebljavati djeca starija od 3 godina i osobe smanjenih fizičkih, osjetilnih ili mentalnih sposobnosti ili osobe bez iskustva ili tehničkog znanja, ako su pod nadzorom ili ako je u obzir uzeto da sigurna upotreba uređaja uključuje opasnosti. Djeca se ne smiju igrati s uređajem. Djeca, ako nisu pod nadzorom, ne smiju obavljati čišćenje i održavanje uređaja. Djeci u dobi od 3 do 8 godina dopušteno je isključivo otvoriti slavnu spojenu na grijač vode.

INSTALACIJA

1. **OPREZ!** Proizvod je težak, rukujte njome oprezno:

- 1.1 Ugradite uređaj u prostoriju zaštićenu od zamrzavanja. Ako je uređaj oštećen zbog neovlaštene izmjene sigurnosnog uređaja, to nije pokriveno jamstvom.
- 1.2 Provjerite može li zid na koji se uređaj postavlja podnijeti težinu uređaja napunjenog vodom.
- 1.3 Ako se uređaj instalira u prostoriji ili na mjestu gdje je temperatura okoline stalno iznad 35 °C, neophodno je predvidjeti mogućnost njenog pravilnog prozračivanja.
- 1.4 U kupaonicama nemojte instalirati proizvod zapremnine, V1 i V2 (vidi sl. 1, str. 3). Ako nema dovoljno prostora, može se postaviti uređaje zapremnine V2, ili najveće zapremnine V1 kada se radi o vodoravnim modelima.
- 1.5 Pogledajte sheme za instalaciju 1.
- 1.6 Ovaj proizvod namijenjen je za upotrebu na visinama do najviše 3000 metara.
- 1.7 Uređaj postavite na dostupnom mjestu.
- 1.8 Instalacija okomitog zidnog grijača vode: da biste olakšali buduće zamjene grijača, ostavite slobodan prostor (300 mm za zapremnine do 100 litara i 480 mm za veće zapremnine) ispod krajeva cijevi uređaja.

- 1.9 Ako se uređaj postavlja na spuštenu strop, u potkrovlje ili iznad stambene prostorije, ispod uređaja mora se postaviti posuda za odvod. Obavezna je upotreba odvodnog uređaja spojenog na kanalizaciju.
- 1.10 Mora se postaviti novi sigurnosni uređaj u skladu s važećim normama (u Europi EN 1487), tlak 0,7 ili 0,8 MPa (7 ili 8 bara) i promjera $\frac{1}{2}$ " ili $\frac{3}{4}$ ". Sigurnosni ventil mora biti zaštićen od zamrzavanja.
- 1.11 Redovito se mora uključivati uređaj za pražnjenje rasteretnog ventila da bi se uklonio nataloženi kamenac i provjerilo da nije blokiran.
- 1.12 Reduktor tlaka (ne isporučuje se) neophodan je u slučaju kada je tlak vode veći od 0,5 MPa (5 bara) i postavlja se glavnu cijev dovoda.
- 1.13 Spojite sigurnosni uređaj na odvodnu cijev koja nalaze na otvorenom i u okolini u kojoj nema zamrzavanja, stalno nagnutu prema dolje za odvod vode tijekom ekspanzije ili za ispuštanja vode iz bojlera.
- 1.14 **PRAŽNENJE:** Isključite napajanje i dovod hladne vode, otvorite slavinu za toplu vodu i tada pokrenite ispusni ventil sigurnosnog uređaja.
- 1.15 **NAPOMENA:** Na bojlerima ispod sudopera, odspojite hidrauličku jedinicu i okrenite je naopačke da bi se ispraznila
- 1.16 Obavezno isključite napajanje prije skidanja poklopca da biste izbjegli strujni udar.
- 1.17 Električna instalacija, ispred uređaja, mora biti opremljena uređajem za prekid napajanja svih polova (učinski prekidač, osigurač) u skladu s važećim lokalnim propisima za instalacije (zaštitna strujna sklopka od 30 mA).
- 1.18 Ako je kabel oštećen, mora ga zamijeniti kabelom ili posebnim kompletom dostupnim kod proizvođača ili u službi postprodaje.
- 1.19 Uzemljenje je obavezno. Tome je namijenjen poseban priključni pol s oznakom .
- 1.20 Ovi su uređaji u skladu s direktivama 2014/30/EU koja se odnosi na elektromagnetsku kompatibilnost, 2014/35/EU o niskom naponu, 2015/863/EU i 2017/2102/EU o ograničenju uporabe određenih opasnih tvari u električnoj i elektroničkoj opremi te 2013/814/EU, koja dopunjuje direktivu 2009/125/EZ o zahtjevima za C o konstruiranju sa obzirom na zahtjeve zaštite okoliša.

- 1.21 Grijač vode nemojte odlagati na otpad, već ga predajte na mjesto koje je tome namijenjeno (mjesto za sakupljanje otpada) gdje ga se može reciklirati.



- 1.22 Priručnik za upotrebu ovog uređaja dostupan je u službi postprodaje.
- 1.23 Ovaj se bojler prodaje s termostatom čija je radna temperatura viša od 60 °C u maksimalnom položaju koji može ograničiti širenje bakterija legionarske bolesti u spremniku. Oprez! Pri temperaturama višim od 50 °C voda može odmah izazvati opekline. Pazite na temperaturu vode prije kupanja ili tuširanja.
- 1.24 Redovito provjeravajte da cijevi ne propuštaju.

2. INSTALACIJA

- Pogledajte odgovarajuće sheme na str. 3 i 4 (pogledajte tablicu na desnoj strani):
- Obavezno ostavite 300 mm slobodnog prostora ispod cijevi za zamjenu grijača.
- Kod okomite instalacije uređaja Ø 505 ako uređaj nije dovoljno čvrst, dostupan je dodatni uzemljeni držač. Ipak, jedinica se obavezno mora pričvrstiti na zid s pomoću gornjeg nosača da bi se izbjeglo prevrtanje.
- Kod vodoravne instalacije, cijevi za vodu uvijek moraju biti u okomitom položaju ispod uređaja.

Promjer	Okomita ugradnja	Vodoravna ugradnja
Ø255	Pogledajte sliku pod 2 i pri 3	
Ø338	Pogledajte sliku pod 2 i pri 3	Pogledajte sl. 6
Ø380 Ø433	Pogledajte sl. 4 i 5	Pogledajte sl. 6
Ø505	Pogledajte sl. 5	

3. HIDRAULIČKI PRIKLJUČAK

- Dovodna se cijev obavezno mora očistiti prije hidrauličkog spajanja. Priključak na izlaz tople vode treba se izvesti u lijevanom željezu ili čeličnom rukavcu ili s dielektričnim priključkom da bi se izbjegla korozija cijevi (izravan kontakt željezo/bakar). Zabranjena je upotreba mjedenih nastavaka.

INSTALACIJA POD TLAKOM: Pogledajte sl. 7, 8, 9 i 10, str.4. Uvijek instalirajte novi sigurnosni uređaj na cijev hladne vode grijača koja je u skladu s normama (EN 1487 u Europi), s tlakom od 0,7 ili 0,8 MPa (7 ili 8 bara) u skladu s nazivnim tlakom, promjera 1/2" ili 3/4" (tablica na str.1).

INSTALACIJA BEZ TLAKA: Pogledajte sl. 11 i 12, str.4. Ako se radi o dovodu za samo jednu točku upotrebe, instalacija se mora napraviti s posebnom miješalicom po izboru.

- Tijekom grijanja može doći do kapanja vode na ventilu, nemojte ga začepljivati. Sigurnosni uređaj, ako se isporučuje, ne ispunjava kriterije za ugradnju na području Francuske (kontinentalni dio i prekomorska područja), nemojte ga upotrebljavati.

4. ELEKTRIČNI PRIKLJUČAK

- Pogledajte odgovarajuće sheme na str. 4 i 6 (pogledajte sl. (13, 14, 15, 16, 17, 18, 19, 20, 21, 22)).
- Grijač vode može se priključiti i raditi isključivo na AC 230 V ili na AC 220-240 V u skladu s nazivnom pločicom uređaja. Grijač spojite krutim kabelom s vodičima od 2,5 mm². Upotrijebite standardizirani kanal (krutu ili savitljivu cijev) do kalibriranog poklopca kućišta.
- Uređaje izravno spajajte s kabelom ili utikačem. U Francuskoj je strogo zabranjena upotreba proizvoda s utikačem i ne može se prodavati ni instalirati.
- Uvijek spajate dozemni vodič kabela na žicu mase ili dozemni vodič spojite na odgovarajući terminal označen simbolom ⊕. Spoj je obavezan iz sigurnosnih razloga. Zeleno-žuta žica mase mora biti duža nego ona faza. Instalacija se mora opremiti, ispred uređaja, bipolarnim uređajem za isključenje (minimalna udaljenost kontakta od 3 mm za osigurač, učinski prekidač). U slučaju kad su HIDRAULIČKI spojevi napravljeni od izoliranih materijala, električne je krugove potrebno zaštititi diferencijalnim prekidačem od 30 mA prilagođenog lokalnim normama.
- Toplinski prekidač: Svi su proizvodi opremljeni termostatom uključujući i termički zaštitni prekidač s ručnim ponovnim postavljanjem koji isključuje napajanje u slučaju pregrijavanja. U slučaju sigurnosnih izbacivanja A: Isključite napajanje prije rada. B: skinite plastični poklopac. C: provjerite električni priključak. D: ponovno postavite sigurnost. U slučaju ponavljajućih ispadanja, zamijenite termostat. Nikada nemojte premošćivati sigurnosni termostat ili termostat za regulaciju. Napajanje spajajte isključivo na utičnice ili ulaz termostata.

5. POKRETANJE

- **GRIJAČ VODE NIKADA NEMOJTE UKLJUČIVATI BEZ VODE:** Modeli s električnim grijačem sigurno će se oštetiti.
- Spremnik napunite do kraja. Prije uključivanja otvorite slavine za toplu vodu, odzračite cijevi da biste ispustili zrak.
- Provjerite nepropusnost cijevi i brtve prirubnice ispod plastičnog poklopca. U slučaju curenja, malo pritegnite. Provjerite rad hidrauličkih sastavnih dijelova i sigurnosnog ventila.
- Uključite napajanje. Nakon 15 do 30 minuta, ovisno o kapacitetu uređaja, voda bi trebala početi kapati iz odvoda. To je normalno i nastaje zbog širenja vode. Provjerite curenje priključka i brtvu. Tijekom zagrijavanja i ovisno o kvaliteti vode, može se čuti žuborenje spremnika za vodu. To je normalno i ne označava neispravnost jedinice.
- Termostat se prema tvorničkim postavkama zaustavlja pri 65 ± 5 °C. **Ako vidite neprekidno ispuštanje pare ili vruće vode ili odvoda ili prilikom otvaranja slavine, odmah isključite napajanje grijača vode i pozovite stručnjaka.**

6. ODRŽAVANJE

- **Prije svakog zahvata provjerite je li napajanje isključeno da biste izbjegli opasnost od ozljede ili strujnog udara.**
- **U slučaju da dođe do sigurnosnog isključivanja, prije svakog zahvata isključite struju i prepustite stručnoj osobi da ponovno uključi prekidač za prekid strujnog kruga.**
- **Ovo manje održavanje** mora obaviti korisnik. Svakog mjeseca uključujte sigurnosni uređaj da biste spriječili nakupljanje kamenca i provjerili da nije blokiran. Ako se ovo održavanje ne obavi, može doći do oštećenje i gubitka jamstva. **Održavanje koje obavlja stručno osoblje A:** Uklanjanje kamenca: Ukloniti kamenac koji se nakupio kao talog. Ne smije se grepsti ili udarati kamenac na stijenkama da bi se izbjeglo oštećenje premaza. Ne smije se zaboraviti zamijeniti brtvu i ponovno sastaviti uređaj, provjeriti da nema curenja vode nakon prvog grijanja. **B:** Na uređajima s magnezijском anodom, zamijeniti magnezijску anodu svake dvije godine ili čim je njezin promjer manji od 10 mm. **C:** Prilikom zamjene obloženog grijača potrebno je odzračiti grijač vode i zamijeniti brtvu. Ponovno sastaviti grijač, razumno pritegnuti matice (zatežući ih poprečno), provjeriti da nema curenja nakon prvog zagrijavanja te, prema potrebi, ponovno pritegnuti. **D:** Pražnjenje: Isključiti napajanje i dovod hladne vode, otvoriti slavine tople vode i ventil za pražnjenje sigurnosnog uređaja. Za grijač vode ispod umivaonika, odspojiti hidrauličke cijevi i povrat tako da se isprazne.
- Dijelovi koji se zamjenjuju: termostat, brtva, grijač, magnezijска anoda, kabel, poklopac, svjetlo i prekidač. Za jamstvo je obavezna upotreba originalnih rezervnih dijelova proizvođača. **SAVJET KORISNIKU:** Ako se radi o tvrdoj vodi s TH > 20 ° f (> 200 ppm), preporučujemo da omekšate vodu. Ako se upotrebljava omekšivač vode, preostala tvrdoća vode ne bi smjela biti viša od 15 ° f. U slučaju dužih razdoblja odsutnosti, a posebice zimi, ispraznite uređaj pa slijedite postupak za pokretanje.

7. JAMSTVO (HR)

Proizvod se mora postaviti, njime se mora upravljati i održavati ga u skladu s posljednjim dostignućima i normama koje vrijede u zemlji ugradnje i s uputama u ovom priručniku.

U Europskoj uniji, ova jedinica ima zakonsko jamstvo koje se korisnicima jamči prema važećoj direktivi te važećim zakonskim propisima koji se primjenjuju u zemlji u kojoj je proizvod kupljen. Zakonsko jamstvo vrijedi od datuma isporuke robe kupcu.

Pored zakonskog jamstva, neki proizvodi imaju produljeno jamstvo, ograničeno na besplatnu zamjenu spremnika i sastavnih dijelova koji se smatraju neispravnim, isključujući troškove zamjene i prijevoza. Pogledajte tablicu u nastavku. Ovo jamstvo ne utječe na prava koja možete uživati zbog primjene statutarnog jamstva. Primjenjuje se na zemlju u kojoj je proizvod kupljen, ako je i instaliran na istom području. Sva se oštećenja moraju prijaviti nadzornom tijelu prije zamjene u jamstvu, a jedinica ostaje dostupna stručnjacima osiguranja i proizvođaču.

	PC / E-SERIES / EGO	O'PRO / O'PRO + / STEATITE / CERAMICS
Komercijalno jamstvo	2 godine	2 godine
Dodatno komercijalno jamstvo za spremnik	+1 godina	5 godine

Izuzeci: Potrošni dijelovi: magnezijске anode ... oprema kojoj se ne može pristupiti (otežan pristup za popravak, održavanje ili procjenu). Uređaji izloženi neuobičajenim uvjetima u okolišu: ledu, vremenu, vodi s neuobičajenim kemijskim karakteristikama koji se ne uklapaju u kriterije pitke vode, strujnoj mreža s vršnim snagama. Oprema koja je ugrađena, a da se nisu poštovale važeće norme u zemlji ugradnje: odsutni ili neispravni sigurnosni uređaji, neuobičajena korozija zbog neodgovarajućih hidrauličkih priključaka (kontakt željezo/bakar), nepravilno uzemljenje, neodgovarajuća debljina kabela, nepridržavanje električkih shema u ovim uputama. Oprema koje se nije održavala prema ovim uputama. Popravci ili zamjena dijelova ili sastavnih dijelova oprema koje nije provela ili nije odobrila tvrtka koja je odgovorna za jamstvo. Jamstvo se primjenjuje na proizvode koji su neispravni i koje je procijenila tvrtka odgovorna za jamstvo. Proizvodi se moraju čuvati za nju.


– Da biste podnijeli reklamaciju u jamstvenom roku, obratite se instalateru ili distributeru.


Ako je potrebno, obratite se: SCGA – Tel: (+33)146836000, 2 allée Suzanne Penillault-Crapez 94110 Arcueil (Francuska) koji će vas obavijestiti o tome što morate napraviti.

PARALAJMËRIME: Kjo pajisje nuk është projektuar për t'u përdorur nga persona (përfshirë fëmijët) me aftësi të reduktuara fizike, shqisore ose mendore, ose nga persona pa përvojë ose pa njohuri, përveç nëse dikush, që është përgjegjës për sigurinë e tyre, i mbikëqyr ose u jep udhëzime në lidhje me përdorimin e pajisjes. Fëmijët duhet të mbikëqyren për t'u siguruar që të mos luajnë me pajisjen. Kjo pajisje mund të përdoret nga fëmijë 3 vjeç e lart dhe nga persona me aftësi të reduktuara fizike, shqisore ose mendore ose pa përvojë ose pa njohuri nëse mbikëqyren ose u jepen udhëzime në lidhje me mënyrën e sigurt të përdorimit të pajisjes dhe nëse i kuptojnë rreziqet që u kanosen. Fëmijët nuk duhet të luajnë me pajisjen. Pastrimi dhe mirëmbajtja nuk duhet të bëhen nga fëmijët pa mbikëqyrje. Fëmijët nga 3 deri në 8 vjeç lejohet të përdorin vetëm rubinetin e lidhur me ngrohësin e ujit.

INSTALIMI

1. **KUJDES!** Artikull i rëndë! Bëni kujdes kur ta lëvizni ose të kryeni punime në të.
 - 1.1 Instaloni pajisjen në një dhomë të mbrojtur nga ngrica. Nëse pajisja dëmtohet si pasojë e ndërhyrjeve të paautorizuara të pajisja e sigurisë, atë nuk e mbulon garancia.
 - 1.2 Sigurohuni që muri në të cilin është montuar pajisja të mund ta mbajë peshën e pajisjes kur ajo mbushet me ujë.
 - 1.3 Nëse pajisja do të vendoset në një dhomë ose vend ku temperatura e ambientit është vazhdimisht më e lartë se 35°C, sigurohuni që ambienti të ajroset në mënyrën e duhur.
 - 1.4 Në rastin e instalimit në banjë, mos e instaloni pajisjen në vëllimet V1 ose V2 (shihni fig. 1, fq. 3). Nëse nuk ka hapësirë të mjaftueshme, ato mund të instalohen në vëllimin V2 ose në nivelin më të lartë të vëllimit V1 për modelet horizontale.
 - 1.5 Shihni figurat 1 të instalimit.
 - 1.6 Pajisja është projektuar për t'u përdorur në një lartësi mbidetare deri në 3000 metra.
 - 1.7 Vendoseni pajisjen aty ku mund të arrihet lehtë.
 - 1.8 Instalimi i ngrohësit të ujit për montim vertikal në mur: Për ta bërë të lehtë zëvendësimin e elementit ngrohës në të ardhmen, lini hapësirë të lirë (300 mm, për pajisjet me kapacitet deri në 100 litra dhe 480 mm për ato me kapacitet më të madh) poshtë skajeve fundore të tubave të pajisjes.

- 1.9 Nëse ngrohësi i ujit instalohet në tavan të varur ose papafingo, ose mbi hapësirën e banimit, instaloni një rezervuar mbajtës me kullim në sistemin e kanalizimit (poshtë pajisjes). Duhet përdorur një pajisje shkarkimi që mund të bashkohet me sistemin e ujërave të zeza.
- 1.10 Duhet të përdoret një pajisje e re sigurie, e cila duhet të jetë në përputhje me standardet aktuale (EN 1487 në Evropë), për presion 0,7 ose 0,8 MPa (7 ose 8 bar) dhe me diametër 1/2" ose 3/4". Valvula e sigurisë duhet të mbrohet nga ngrica.
- 1.11 Pajisja e kullimit me valvulë të lirimit të presionit duhet të aktivizohet rregullisht për të hequr depozitat e çmërsit dhe për të kontrolluar që nuk është e bllokuar.
- 1.12 Duhet përdorur një reduktues presioni (nuk jepet bashkë me pajisjen) nëse presioni i furnizimit është më i madh se 0,5 MPa (5 bar) dhe duhet të instalohet në tubacionin e furnizimit kryesor.
- 1.13 Lidheni pajisjen e sigurisë me një tub shkarkimi, në ajër të hapur, në një vend pa ngrica, me një pjerrësi të vazhdueshme për të shkarkuar ujin e nxehur ose për të mundësuar kullimin e ngrohësit të ujit.
- 1.14 **KULLIMI:** Fikni pajisjen dhe mbyllni rubinetin e furnizimit me ujë të ftohtë, hapni rubinetet e ujit të nxehët dhe pastaj shtypni valvulën e kullimit në pajisjen e sigurisë.
- 1.15 **SHËNIM:** Për ngrohësit e ujit që instalohen nën lavaman, shkëputni njësinë hidraulike dhe kthejeni përmbys për ta kulluar.
- 1.16 Siguroheni të stakoni furnizimin me energji elektrike përpara se të hiqni kapakun, me qëllim që të parandaloni rrezikun e lëndimit ose zënies nga korrenti.
- 1.17 Në rrjedhën e sipërme të pajisjes, instalimi elektrik duhet të jetë i pajisur me një pajisje stakuese për të dyja polet (automat, siguresë) që përputhet me rregullat lokale në fuqi për instalimin (pajisje banesore për rrymë 30 mA).
- 1.18 Nëse dëmtohet kablloja, ajo duhet të zëvendësohet me një kabllo ose paketë të veçantë që mund ta gjeni te prodhuesi ose te shërbimi i passhitjes.
- 1.19 Pajisja duhet tokëzuar patjetër. Për këtë qëllim, pajisja ka një terminal të posaçëm me shenjën .

- 1.20 Këto pajisje janë në përputhje me direktivat 2014/30/BE "Për përputhshmërinë elektromagnetike", direktivën 2014/35/BE "Për tensionin e ulët", direktivat 2015/863/BE dhe 2017/2102/BE "Për ROHS-në" dhe direktivën 2013/814/BE "Për plotësimin e direktivës 2009/125/KE "Për projektimin ekologjik".
- 1.21 Mos e hidhni ngrohësin e ujit në mbeturina, por dorëzoheni në një vend të caktuar për këtë qëllim (pikë grumbullimi) ku mund të riciklohet. 
- 1.22 Udhëzuesi i përdoruesit për këtë produkt mund të merret nga shërbimi i passhitjes.
- 1.23 Ky ngrohës uji është i pajisur me një termostat me temperaturë pune më të lartë se 60°C në pozicionin maksimal, çka mundëson pakësimin e rritjes së baktereve legionela në rezervuar. Kujdes! Kur është mbi 50°C, uji mund të shkaktojë djegie të menjëhershme. Kontrolloni temperaturën e ujit përpara se të bëni banjë ose dush.
- 1.24 Kontrolloni herë pas here që të mos ketë rrjedhje në tubacion.

2. INSTALIMI

- Shihni diagramet përkatëse në fq. 3 & 4 (shihni tabelën në të djathtë):
- Sigurohuni që poshtë tubave të shkëmbimit të elementit ngrohës të ketë 300 mm hapësirë të lirë.
- Për instalimin vertikal të pajisjeve me diametër Ø 505, nëse muri nuk është i fortë sa duhet, ekziston mundësia e përdorimit të një mbështetëseje nga dyshemeja. Megjithatë, është e detyrueshme që pajisja të fiksohet në mur me kllapën e sipërme me qëllim që të mos rrëzohet.
- Për instalim horizontal, tubat e ujit duhet të jenë gjithmonë në pozicion vertikal nën pajisje.

Diametri	Instalimi vertikal	Instalimi horizontal
Ø255	Shihni figurën nën ② & mbi ③	
Ø338	Shihni figurën nën ② & mbi ③	Shihni fig. ⑥
Ø380 Ø433	Shihni fig. ④ & ⑤	Shihni fig. ⑥
Ø505	Shihni fig. ⑤	

3. LIDHJA HIDRAULIKE


- Është e domosdoshme që, para se të bëhet lidhja hidraulike, të pastrohet tubi i furnizimit. Lidhja me daljen e ujit të nxehtë duhet të kryhet me duke përdorur pajim me hekur të derdhur ose këmishë çeliku ose bashkuese dielektrike, me qëllim që tubi të mos ndryshket (takim i drejtpërdrejtë hekur-bakër). Ndalohet përdorimi i bashkueseve prej tunxhi.

INSTALIMI ME PRESION: Shihni fig. ⑦, ⑧, ⑨ & ⑩, fq. 4. Gjithmonë instaloni një pajisje të re sigurie në tubin e ujit të ftohtë të ngrohësit të ujit, që përputhet me standardet (EN 1487 në Evropë), për presion 0,7 ose 0,8 MPa (7 ose 8 bar) sipas vlerës nominale të presionit, me diametër 1/2" ose 3/4" (tabela në fq. 1).

INSTALIMI PA PRESION: Shihni fig. ⑪ & ⑫, fq. 4. Për furnizimin e një pike të vetme përdorimi, instalimi duhet të kryhet me një rubinet opsional të posaçëm përzierjeje.

- **Gjatë nxehtësisë së ujit, te valvula mund të rrjedhë ujë. Mos e pengoni rrjedhjen.** Pajisja e sigurisë, nëse jepet bashkë me produktin, nuk i plotëson kriteret për t'u instaluar në territorin francez (në Francë dhe në territoret e përtejdetit). Mos e përdorni.

4. LIDHJA ELEKTRIKE

- Shihni diagramet përkatëse në fq. 4 & 6 (shihni fig. ⑬, ⑭, ⑮, ⑯, ⑰, ⑱, ⑲, ⑳, ㉑, ㉒).
- Ngrohësi i ujit mund të lidhet dhe të përdoret vetëm me tension AC 230 V ose AC 220-240V, në përputhje me pllakën e vlerave nominale të pajisjes. Lidhni ngrohësin me një kablo të ngurtë, me përcjellës 2,5 mm². Përdorni një sistem të standardizuar kanalizimi (përcjellës i ngurtë ose i përkulshëm) deri te kapaku i kutizës së kalibruar.
- Lidhni pajisjet drejtpërdrejt duke përdorur një kablo ose spinë. Në Francë, produktet me spina ndalohen rreptësisht dhe nuk mund të shiten dhe të instalojnë.
- Gjithmonë lidhni përcjellësin e tokëzimit të kabllos me telin e tokëzimit ose lidhni përcjellësin e tokëzimit me terminalin përkatës me simbolin . Kjo lidhje është e domosdoshme për shkaqe sigurie. Teli i tokëzimit në jeshile dhe të verdhë duhet të jetë më i gjatë sesa telat e fazës. Instalimi duhet të ketë, përpara pajisjes, një pajisje stakuese bipolare (siguresë me distancë kontakti minimal prej 3 mm, çelës automat). Në rastet kur lidhjet HIDRAULIKE ndodhen në material të izoluar, qarqet elektrike duhet të mbrohen duke instaluar një automat diferencial 30 mA, në përputhje me standardet lokale.
- Stakimi termik: Të gjitha produktet janë të pajisura me një termostat, duke përfshirë edhe një qark stakimi termik që mund të kthehet në vlerën fillestare në mënyrë manuale. Ky qark ndërpret energjinë elektrike në rast të mbinxehtësisë. Në rast se bie automati/digjet siguresa A: stakoni energjinë elektrike në burim përpara çdo lloj veprimi. B: Hiqni kapakun plastik. C: Verifikoni lidhjen elektrike. D: Ngrini automat/ndërroni siguresën. Në rast të stakimit të vazhdueshëm, zëvendësoni termostatit. Kurrë mos e anashkaloni mekanizmin e sigurisë dhe të rregullimit të termostatit. Lidhni telat e furnizimit me energji vetëm te prizat ose terminalet hyrëse të termostatit.

5. NDEZJA

- **KURRË MOS E VINI NË PUNË NGROHËSIN E UJIT PA UJË:** Me siguri, modelet me element ngrohës elektrik do të dëmtohen.
- Mbusheni rezervuarin deri në fund. Përpara se ta ndizni pajisjen, hapni rubinetet e ujit të nxehtë me qëllim që të nxirrni ajrin nga tubat.
- Kontrolloni fortësinë e tubave dhe të guarnicionit të flanxhës nën mbulesën (kapakun) plastik. Në rast rrjedhjeje, shtrëngojeni në mënyrë mesatare. Kontrolloni nëse pjesët e sistemit hidraulik dhe valvula e sigurisë punojnë si duhet.
- Ndizeni pajisjen. Pas 15 deri në 30 minuta, në varësi të vëllimit të pajisjes, uji duhet të pikojë nga tubi i kullimit. Kjo është normale dhe vjen si pasojë e zgjerimit të ujit. Kontrolloni nëse ka rrjedhje në tubacion dhe izolojini. Gjatë ngrohjes dhe në varësi të cilësisë së ujit, rezervuarët e ujit të nxehtë mund të bëjnë zhurmë sikur ziejnë. Kjo zhurmë është normale dhe nuk është shenjë që tregon se pajisja ka defekt.
- Termostati është kalibruar nga fabrika për të ndërprerë punën e pajisjes kur arrihet temperatura $65 \pm 5^\circ\text{C}$. **Nëse shihni lëshim të vazhdueshëm të avullit ose ujit të nxehtë nga tubi i shkarkimit ose kur hapni rubinetin, stakoni menjëherë energjinë elektrike që furnizon ngrohësin e ujit dhe thërrisni një teknik profesional.**

6. MIRËMBAJTJA

- **Përpara çdo lloj mirëmbajtjeje, sigurohuni që burimi i energjisë elektrike të jetë i stakuar me qëllim që të mos lëndoheni dhe të mos ju zërë korrenti.**
- **Nëse stakohet pajisja e sigurisë,** shkëpusni/stakoni energjinë elektrike përpara se të bëni çfarëdo lloj punimi dhe kërkojini një profesionisti që të kthejë qarkun e stakimit në gjendjen fillestare.
- **Mirëmbajtja në shtëpi** duhet bërë nga përdoruesit. Vëreni në punë pajisjen e sigurisë çdo muaj për të penguar depozitimin e çmërsit dhe verifikoni që të mos jetë e bllokuar. Moszbatimi i kësaj procedure mirëmbajtjeje mund të çojë në dëmtimin e pajisjes dhe zhvlerësimin e garancisë. **Mirëmbajtja nga tekniku i kualifikuar A:** Çmërsi: Hiqni çmërsin e depozituar në formën e llumit (fundërrinave). Mos e gërvishtni dhe as mos e godisni çmërsin që ka ngjitur në muret e rezervuarit, me qëllim që të mos dëmtoni veshjen e këtij të fundit. Mos harroni të ndryshoni guarnicionin dhe montojeni përsëri pajisjen. Verifikoni që pas ngrohjes së parë të mos ketë rrjedhje uji. **B:** Për pajisjet me anodë magnezit, ndërrojeni anodën e magnezit çdo dy vjet ose sapo të arrijë diametrin 10 mm. **C:** Për të ndërruar elementin ngrohës me këllëf, shkarkoni ngrohësin e ujit dhe ndërroni guarnicionin. Montoni përsëri elementin ngrohës, shtrëngoni dadot (sipas radhës së kryqëzuar), kontrolloni që të mos ketë rrjedhje pas ngrohjes së parë dhe shtrëngojini përsëri nëse është nevoja. **D:** Kullimi: Stakoni energjinë elektrike që shkon te ngrohësi i ujit dhe mbyllni furnizimin me ujë të ftohtë. Hapni rubinetet e ujit të nxehtë dhe shkarkoni valvulën e pajisjes së sigurisë. Në rastin e ngrohësve të ujit që instalohen poshtë lavamanëve, shkëpusni tubat hidraulikë dhe përmbysin për t'i zbrazur.
- Pjesët që mund të ndërrohen janë: termostati, guarnicioni, ngrohësi, anoda e magnezit, kabllo, kapaku (mbulesa), llambushka dhe çelësi. Garancia është subjekt i përdorimit të pjesëve rezervë origjinale nga prodhuesi. **KËSHILLË PËR PËRDORUESIN:** Në rastin e ujit të fortë me $\text{TH} > 20^\circ\text{f}$ (>200 ppm), rekomandojmë ta zbusni ujin. Nëse përdoret lëndë për zbutjen e ujit, fortësia e mbetur e ujit duhet të jetë më e madhe se 15°f . Në rast se nuk do ta përdorni pajisjen për një kohë të gjatë dhe sidomos gjatë dimrit, shkarkojeni ngrohësin dhe pastaj ndiqni procedurën për ndezjen.

7. GARANCIA (SQ)

- Ngrohësi i ujit duhet të instalohet, operojë dhe mirëmbahet në përputhje me gjendjen dhe me standardet më të reja në fuqi në vendin e instalimit dhe udhëzimet në këtë manual. **Në Bashkimin Evropian** kjo njësi ka garancinë ligjore që u jepet konsumatorëve sipas Direktivës 1999/44/EC, kjo garanci është efektive që nga data e liferimit të mallrave për konsumatorin. Përveç garancisë ligjore, disa produkte kanë garanci të zgjatur, të kufizuar në ndërrimin pa pagesë të rezervuarit dhe komponentëve të pranuar si të dëmtuar, **duke përjashtuar koston e ndërrimit dhe transportit.** I referoheni tabelës së mëposhtme. Kjo garanci nuk prek asnjë të drejtë që ju mund të përfiton si rezultat i aplikimit të garancisë statusore. Ajo zbatohet në vendin e blerjes së produktit, me kusht që ai të instalohet gjithashtu në të njëjtin territor. Çdo dëm duhet të raportohet në vendin e furnizimit para se të shkëmbehet garancia, dhe njësi do të mbetet në dispozicion të ekspertëve të sigurimit dhe prodhuesit

	PC / E-SERIES / EGO	O'PRO / O'PRO + / STEATIT / QERAMIKË
Garanci ligjore	2 vjet	2 vjet
Garanci shtesë komerciale në rezervuarët dhe smaltin e ngrohjes	+1 vit	5 vjet


- **Përjashtimet:** Pjesët harxhuese: anodat e magnezit ... Pajisjet të cilat nuk mund të qasen (qasja e vështirë për riparim, mirëmbajtje ose vlerësim). Pajisjet e ekspozuara ndaj kushteve anormale mjedisore: Kushtet e motit, uji me karakteristika kimike jo normale jashtë kriterëve të ujit të pijshëm, rrjeti elektrik me kapacitet përtej kufijve të energjisë elektrike normale. Pajisja e instaluar pa respektuar standardet aktuale në vendin e instalimit: Mungesë apo pajisje joadekuate të sigurisë, korrozioni anormal për shkak të pajisjeve hidraulike joadekuate (kontakti me hekur/bakër), tokëzim joadekuate, trashësi e papërshtatshme e kabllor, mosrespektimi i vizatimeve të lidhjes në këto udhëzime. Pajisjet që nuk mirëmbahen në përputhje me këto udhëzime. Riparimet ose ndërrimi i pjesëve ose komponentëve në pajisje që nuk janë bërë ose nuk janë autorizuar nga kompania përgjegjëse për garanci. Ndërrimi i komponentëve nuk e zgjat periudhën e garancisë për pajisjen. Garancia zbatohet për produktet me defekt dhe të vlerësuara nga kompania përgjegjëse për garanci. Është e detyrueshme që produktet të jenë në dispozicion të këtij të fundit.
- Për të kërkuar mbulim nga garancia, **kontaktoni instaluesin tuaj ose tregtarin.** Nëse është e nevojshme, kontaktoni: SCGA – Tel: (+33) 146836000, 2 allée Suzanne Penillault-Crapez 94110 Arcueil (Franca), Tel: 0080038713858 (Belgjikë) i cili do t'ju informojë se çfarë duhet të bëni.


AVERTISMENTE: Acest aparat nu a fost prevăzut pentru a fi folosit de persoane (inclusiv copiii) cu capacități fizice, senzoriale sau mentale reduse, sau persoane lipsite de experiență sau de cunoștințe, doar dacă acestea au putut beneficia de o supraveghere adecvată sau de un instructaj prealabil cu privire la folosirea aparatului, prin intermediul unei persoane responsabile de siguranța lor. Trebuie supravegheați copiii pentru a se asigura că nu se joacă cu acest aparat. Acest aparat poate fi utilizat de către copii cu vârsta de 3 ani sau mai mari și de către persoane cu capacități fizice, senzoriale sau mentale reduse sau de către persoane lipsite de experiență și cunoștințe dacă nu sunt supravegheate corespunzător sau dacă nu au primit instrucțiunile de utilizare a dispozitivului și nu au fost luate în considerare riscurile aferente. Copiii nu trebuie să se joace cu aparatul. Curățarea și întreținerea nu trebuie realizate de copii fără supraveghere. Copiilor cu vârste între 3 și 8 ani li se permite doar să opereze robinetul conectat la boiler.

AMPLASAREA

1. **ATENȚIE!** Produs greu, manipulați cu atenție:

- 1.1 Instalați aparatul într-o încăpere ferită de îngheț. Distrugerea aparatului din cauza intervenției asupra elementelor de siguranță scoate produsul din garanție.
- 1.2 Asigurați-vă că peretele sau podeaua poate suporta greutatea produsului plin cu apă.
- 1.3 Dacă aparatul trebuie instalat într-o încăpere sau un loc unde temperatura ambiantă este constant peste 35 °C, prevedeați aerisirea corectă a încăperii.
- 1.4 În camera de baie nu instalați aparatul cu volume de V1 sau V2 (consultați fig. 1, p. 3). Dacă acest lucru nu este posibil din cauza spațiului redus, se poate instala aparatul cu volum de V2 sau la o înălțime maximă cu volum de V1 în cazul modelelor orizontale.
- 1.5 Consultați figura 1 privind instalarea.
- 1.6 Acest dispozitiv este destinat utilizării până la înălțimea maximă de 3000 m.
- 1.7 Amplasați aparatul într-un loc accesibil.
- 1.8 Instalarea boilerului vertical mural: Pentru a facilita schimbarea ulterioară a rezistenței, lăsați spațiu liber (300 mm până la modelul de 100 de litri și 480 mm pentru modelele mai mari) sub extremitățile țevilor aparatului.

- 1.9 Atunci când aparatul este poziționat într-un plafon fals sau un pod, sau deasupra unui spațiu locuit, trebuie să instalați o tavă de scurgere sub boiler. Este necesară conectarea unui dispozitiv de scurgere la sistemul de canalizare.
- 1.10 Instalați obligatoriu un element de siguranță nou care să respecte normele în vigoare (EN 1487 în Europa), presiunea de 0,7 sau 0,8 MPa (7 sau 8 bari) și diametrul de 1/2" sau 3/4". Valva de siguranță trebuie să fie protejată de îngheț.
- 1.11 Dispozitivul de scurgere al valvei de eliberare a presiunii trebuie activat în mod regulat pentru a elimina depunerile de calcar și pentru a vă asigura că nu este blocat.
- 1.12 Un reductor de presiune (nefurnizat) este necesar dacă presiunea de alimentare depășește 0,5 MPa (5 bari) și va fi instalat pe țeava de alimentare principală.
- 1.13 Racordați dispozitivul de siguranță la o țeavă de evacuare ținută în aer liber într-un mediu lipsit de îngheț, având pantă continuă pentru evacuarea apei obținută în timpul încălzirii sau pentru drenarea apei din boiler.
- 1.14 GOLIRE: Opriți alimentarea electrică și alimentarea cu apă rece, deschideți robinetele de apă caldă, apoi manevrați valva de scurgere a dispozitivului de siguranță.
- 1.15 NOTĂ: În cazul boilerelor montate sub chiuvete, decuplați unitatea hidraulică și întoarceți-o pentru a se goli
- 1.16 Asigurați-vă că alimentarea a fost întreruptă înaintea demontării capacului pentru a preveni riscurile de vătămare și electrocutare.
- 1.17 Înaintea aparatului, instalația electrică trebuie să prevadă un întrerupător multipolar (disjunctor, fuzibil) în conformitate cu regulile de instalare locale în vigoare (disjunctor diferențial de 30 mA).
- 1.18 În cazul în care cablul este avariat, trebuie înlocuit cu un cablu sau un ansamblu special disponibil la producător sau la centrul de service post-vânzare.
- 1.19 Împământarea este obligatorie. În acest scop este prevăzută o bornă specială marcată cu simbolul .
- 1.20 Aceste aparate corespund directivelor 2014/30/UE referitoare la compatibilitatea electromagnetică, 2014/35/UE referitoare la joasa tensiune, 2015/863/UE și 2017/2102/UE privind ROHS și 2013/814/UE care vine în completarea directivei 2009/125/UE privind proiectarea ecologică.

- 1.21 Nu eliminați boilerul împreună cu deșeurile menajere, ci predați-l la un centru de colectare a deșeurilor (punct de colectare) în scopul reciclării.
- 1.22 Manualul de utilizare a aparatului poate fi obținut de la centrul de service post-vânzare.
- 1.23 Acest boiler este echipat cu un termostat cu o temperatură funcționare mai mare de 60 °C în poziție maximă, care poate duce la dezvoltarea bacteriilor Legionella în rezervor.  Atenție! La temperaturi de peste 50 °C, apa poate provoca imediat opăriri. Atenție la temperatura apei înainte de o baie sau un duș.
- 1.24 Verificați cu regularitate să nu existe scurgeri la țevi.

2. AMPLASAREA

- Consultați schemele corespunzătoare de la p. 2 și 4 (consultați tabelul din dreapta):
- Asigurați-vă că lăsați 300 mm de spațiu liber sub conducte pentru schimbarea rezistenței.
- Pentru instalarea verticală a dispozitivelor cu Ø 505 în cazul în care perețele nu are o capacitate portantă suficientă, este disponibil, opțional, un suport de montare pe sol. Totuși, pentru a evita înclinarea, este obligatoriu să fixați unitatea pe perete cu consola superioară.
- Pentru instalarea orizontală, tuburile de racord pentru apă trebuie să se afle întotdeauna în poziție verticală sub dispozitiv.

Diametru	Instalare verticală	Instalare orizontală
Ø255	Consultați fig. de sub ② și de deasupra ③	
Ø338	Consultați fig. de sub ② și de deasupra ③	Consultați fig. ⑥
Ø380 Ø433	Consultați fig. ④ și ⑤	Consultați fig. ⑥
Ø505	Consultați fig. ⑤	

3. RACORDARE HIDRAULICĂ

- Este necesară curățarea conductelor de alimentare înainte de racordarea hidraulică. Racordarea la ieșirea de apă caldă va fi efectuată cu un manșon din fontă sau oțel sau un conector dielectric, pentru a evita coroziunea conductei (fier/cupru cu contact direct). Este interzisă utilizarea fittingurilor din alamă.

INSTALATIA SUB PRESIUNE: Consultați fig. ⑦, ⑧, ⑨ și ⑩, p. 4. Instalați întotdeauna un nou dispozitiv de siguranță pe conducta de apă rece de la boiler, care să fie în conformitate cu standardele (EN 1487 din Europa), cu o presiune de 0,7 sau 0,8 MPa (7 sau 8 bari) conform presiunii nominale, cu diametrul de 1/2" sau 3/4" (tabelul de la p. 1).

INSTALATIA FĂRĂ PRESIUNE: Consultați fig. ⑪ și ⑫, p. 4. Pentru alimentarea unui singur punct de utilizare, instalarea trebuie efectuată cu un robinet de amestec special, disponibil opțional.

- În timpul încălzirii, se pot scurge picături de apă din zona robinetului; nu obstrucționați picurarea. Dacă este furnizat, dispozitivul de siguranță nu îndeplinește criteriile pentru instalarea pe teritoriul francez (teritoriul continental și teritorii de peste mări), nu îl utilizați.

4. CONEXIUNE ELECTRICĂ

- Consultați schemele corespunzătoare de la p. 4 și 6 (consultați fig. (13, 14, 15, 16, 17, 18, 19, 20, 21, 22)).
- Boilerul poate fi conectat și pus în funcțiune numai la 230 VCA sau 220-240 VCA conform datelor de pe plăcuța cu date tehnice a aparatului. Conectați încălzitorul cu un cablu rigid cu conductoare de 2,5 mm². Utilizați o canalizare standardizată (conductă rigidă sau flexibilă) până la capacul carcasei calibrate.
- Conectați dispozitivele direct cu un cablu sau cu o fișă de conectare. În Franța, produsele cu fișă de conectare sunt strict interzise și nu pot fi comercializate și instalate.
- Conectați întotdeauna conductorul de împământare al cablului la cablul de împământare sau conectați conductorul de împământare la terminalul corespunzător identificat cu simbolul ⊕. Această conectare este obligatorie din motive de siguranță. Cablul de împământare verde-galben trebuie să fie mai lung decât cele ale fazelor. Instalația trebuie să fie echipată, în amonte de aparat, cu un dispozitiv bipolar de deconectare (siguranță, întrerupător de circuit cu distanță de contact minimă de 3 mm). În cazul în care racordurile HIDRAULICE prezintă material izolat, circuitele electrice vor fi protejate printr-un disjuncter diferențial de 30 mA adaptat la standardele locale.
- Întrerupere termică: Toate produsele sunt dotate cu un termostat care include un disjuncter termic cu resetare manuală, care întrerupe alimentarea cu energie electrică în caz de supraîncălzire. În cazul în care siguranța se declanșează A: Întrerupeți alimentarea cu energie electrică înaintea oricărei operațiuni. B: scoateți capacul din plastic. C: Verificați conexiunea electrică. D: Resetați siguranța. În cazul declanșării repetate, înlocuiți termostatul. Nu ocoliți niciodată siguranța sau regulamentele în privința termostatului. Conectați energia electrică numai la prize sau la intrarea termostatului.

5. PORNIREA

- **NU PORNII NICIODATĂ BOILERUL FĂRĂ APĂ:** Modelele cu un element de încălzire electric vor fi cu siguranță avariate.
- Umpleți complet rezervorul. Înainte de a-l porni, deschideți robinetele de apă caldă, goliți conductele pentru a elimina aerul.
- Verificați etanșeitatea conductelor și a garniturii flanșei de sub capacul din plastic. În cazul în care apar scurgeri, strângeți moderat. Verificați funcționarea componentelor hidraulice și a supapei de siguranță.
- Porniți alimentarea electrică. După 15-30 de minute, în funcție de capacitatea dispozitivului, ar trebui să picure apă de la evacuare. Acest lucru este normal și se datorează expansiunii apei. Verificați dacă există scurgeri de la racord și garnitură. În timpul încălzirii și în funcție de calitatea apei, boilerul de apă caldă pot emite zgomote de bolboroseală. Acest zgomot este normal și nu indică vreo defecțiune a unității.
- Termostatul este reglat din fabrică pentru a se opri la 65 ± 5 °C. **Dacă observați o eliberare continuă de abur sau apă caldă de la evacuare atunci când deschideți un robinet, întrerupeți imediat alimentarea electrică a boilerului și solicitați asistența unui profesionist.**

6. ÎNTREȚINEREA

- **Înainte de orice operațiune, asigurați-vă că alimentarea cu energie electrică este oprită, pentru a evita pericolele de vătămare corporală sau electrocutare.**
- **În cazul declanșării siguranței,** întrerupeți alimentarea cu curent înainte de a efectua orice operațiune și solicitați rearmarea disjunctivului de către un profesionist.
- **Întreținerea casnică** trebuie efectuată de utilizator. Acționați lunar dispozitivul de siguranță pentru a preveni depunerea de calcar și pentru a vă asigura că nu este blocat. Lipsa efectuării acestei întrețineri poate duce la avarii și la pierderea garanției. **Întreținerea de către personal calificat A:** Depunerile de calcar: Îndepărtați depunerile de calcar acumulate sub formă de sedimente. Nu zgâriați sau loviți depunerile de calcar lipite de pereți pentru a evita deteriorarea învelișului. Nu uitați să schimbați garnitura și să reasamblați aparatul, asigurați-vă că nu există scurgeri de apă după prima încălzire. **B:** Pentru dispozitivele cu anod de magneziu, înlocuiți anodul de magneziu la fiecare doi ani sau de îndată ce diametrul acestuia este mai mic de 10 mm. **C:** Înlocuirea unei rezistențe căptușite implică golirea boilerului și schimbarea garniturii. Reasamblați rezistența, strângeți moderat piulițele (strângere încrucișată), asigurați-vă că nu există scurgeri după prima încălzire și strângeți din nou dacă este necesar. **D:** Golire: Opriti alimentarea cu energie electrică și cu apă rece, deschideți robinetele de apă caldă și robinetul de golire a dispozitivului de siguranță. În cazul unui boiler amplasat sub chiuvetă, deconectați conductele și returul hidraulice pentru golire.
- Piese care pot fi înlocuite sunt: termostatul, garnitura, încălzitorul, anodul de magneziu, cablul, capacul, becul și comutatorul. Garanția face obiectul utilizării de piese de schimb originale de la producător. **RECOMANDĂRI PENTRU UTILIZATOR:** În cazul apei calcaroase cu TH > 20 °f (> 200 ppm), vă recomandăm să dedurizați apa. Dacă este utilizat un agent de dedurizare, duritatea rămasă a apei ar trebui să fie peste 15 °f. În cazul unei absențe mai îndelungate, mai ales iarna, goliți dispozitivul, iar apoi urmați procedurile pentru pornire.

7. GARANȚIE (RO)

Produsul trebuie instalat, exploatat și întreținut la un nivel tehnic înalt, în conformitate cu standardele în vigoare ale țării de instalare și prevederile acestor instrucțiuni de exploatare.

Pe teritoriul Uniunii Europene această instalație este acoperită de o garanție juridică acordată consumatorilor în conformitate cu directiva și regulamentul în vigoare și în conformitate cu legislația aplicabilă în țara de achiziționare a produsului. Garanția juridică este valabilă de la data de livrare a mărfii consumatorului.

Pe lângă garanția juridică, unele produse pot fi acoperite de o garanție extinsă, care se limitează la înlocuirea gratuită a rezervorului și a componentelor defectate, cu excepția costurilor de înlocuire și transportare. Consultați tabelul prezentat mai jos. Această garanție nu lezează drepturile acordate în baza garanției prevăzute de lege. Aceasta se aplică în țara de achiziționare a produsului, cu condiția ca acesta să fie și instalat pe același teritoriu. Orice deteriorare trebuie să fie raportată depozitarului, înainte de înlocuirea pieselor în baza garanției, iar instalația trebuie să fie pusă la dispoziția experților de asigurarea și producătorului.

	PC / E-SERIES / EGO	O'PRO / O'PRO + / STEATITE / CERAMICS
Garanția comercială	2 ani	2 ani
Garanția comercială adițională pentru rezervor	+1 an	5 ani

Excepții: Piesele cu uzare rapidă: anodi de magneziu ... Utilajul care nu poate fi accesat (acces dificil pentru a efectua repararea, întreținerea sau evaluarea). Instalațiile expuse la niște condiții anormale ale mediului înconjurător: ger, aer liber, apă cu niște caracteristici chimice anormale care nu corespunde criteriilor de apă potabilă, rețea de alimentare cu sarcini de vârf. Utilajul instalat cu încălcarea standardelor în vigoare în țara de instalare: lipsa sau montarea unui dispozitiv de siguranță necuvenit, coroziune anormală datorată fitingurilor hidraulice incorecte (contact direct cu fier/cupru), legare la pământ incorectă, grosime necorespunzătoare a cablului, nerespectarea schemelor de conectare prezentate în aceste instrucțiuni de exploatare. Utilajul care nu se întreține în conformitate cu aceste prevederi. Repararea sau înlocuirea pieselor/componentelor utilajului de către persoane neautorizate de compania responsabilă pentru garanție. Garanția acoperă produsele care au defecte și sunt evaluate de către compania responsabilă pentru garanție. Este obligatoriu să puneți produsele la dispoziția companiei acesteia.


- Pentru a prezenta reclamații în baza garanției, contactați instalatorul sau dealerul Dvs. În caz de necesitate, formați numărul: SCGA - Tel.: (+33)146836000, 2 allée Suzanne Penillault-Crapez 94110 Arcueil (Franța), care vă va informa ce trebuie să faceți.

PERSPĖJIMAI. Šis įrenginys nėra skirtas naudoti asmenims (taip pat vaikams), kurių fizinės, jutiminės ar protinės galimybės yra ribotos, taip pat asmenims, neturintiems atitinkamos patirties ar žinių, išskyrus tuos atvejus, kai už jų saugumą atsakingi asmenys užtikrina tinkamą priežiūrą arba jie iš anksto gauna instrukcijas dėl šio įrenginio naudojimo. Neleiskite vaikams žaisti su šiuo prietaisu. Įrenginiu gali naudotis ne jaunesni kaip 3 metų amžiaus vaikai, o žmonės, kurių fizinės, jutiminės ar protinės galimybės yra ribotos, arba neturintys patirties ar žinių, gali naudotis juo tik tinkamai prižiūrimi arba jei buvo suteiktos saugaus įrenginio naudojimo instrukcijos ir atsižvelgta į galimus pavojus. Vaikams draudžiama žaisti su šiuo įrenginiu. Vaikams negalima be suaugusiųjų priežiūros valyti ar eksploatuoti įrenginio. Vaikams nuo 3 iki 8 metų amžiaus leidžiama tik reguliuoti čiaupą, prijungtą prie vandens šildytuvo.

MONTAVIMAS

1. **ĮSPĖJIMAS!** Gaminys sunkus – elgtis atsargiai.

- 1.1 Įrenginį reikia montuoti viduje, nuo šalčio apsaugotoje vietoje. Garantija netaikoma įrenginiui sugedus dėl užsiblokavusio apsauginio vožtuvo.
- 1.2 Įsitikinkite, kad siena, ant kurios montuosite, išlaikys įrenginio, pripildyto vandens, svorį.
- 1.3 Jeigu įrenginį reikia sumontuoti patalpoje ar vietoje, kurioje aplinkos temperatūra nuolat aukštesnė kaip 35 °C, būtina numatyti jos vėdinimą.
- 1.4 Vonios kambaryje nemontuokite V1 arba V2 tūrio įrenginių (žr. 1 pav., 3 psl.). Jei dėl produkto dydžio tokios galimybės nėra, galima sumontuoti V2 tūrio įrenginį arba horizontalaus modelio V1 tūrio įrenginį maksimaliame aukštyje.
- 1.5 Žiūrėkite 1 montavimo iliustraciją.
- 1.6 Šis prietaisas yra skirtas naudoti maks. 3000 m. aukštyje.
- 1.7 Įrenginį įrenkite lengvai pasiekiamoje vietoje.
- 1.8 Vertikalaus sieninio vandens šildytuvo montavimas: Kad, prireikus, būtų galima pakeisti kaitinimo elementą, po vandens šildytuvo vamzdžiais palikite pakankamai laisvos vietos (300 mm iki 100 litrų gaminiams ir 480 mm didesnės talpos gaminiams).

- 1.9 Apsauginė vandens nutekėjimo talpa turi būti montuojama žemiau nei vandens šildytuvai, jeigu yra pakabinamos lubos, montuojama palėpėje arba virš gyvenamųjų patalpų. Drenažas į nuotėkų sistemą būtinas.
- 1.10 Būtina sumontuoti naują apsauginį vožtuvą, atitinkantį galiojančius standartus (Europoje EN 1487), kurio slėgis 0,7–0,8 MPa (7–8 barų), o diametras – 1/2" arba 3/4". Apsauginis vožtuvas turi būti apsaugotas nuo šalčio.
- 1.11 Slėgio išleidimo vožtuvą, vandens išleidimo prietaisą būtina reguliariai aktyvuoti, kad būtų užkirstas kelias kalkių susidarymui ir kad būtų įsitikinta, jog sistema nėra užblokuota.
- 1.12 Slėgio reduktorius (nepriedamas) būtinas, kai tiekiamo vandens slėgis yra didesnis nei 0,5 MPa (5 barai). Jis turi būti sumontuotas ant pagrindinio tiekimo vamzdžio.
- 1.13 Prijunkite apsauginį įtaisą prie išleidimo vamzdžio lauke, nuo šalčio apsaugotojo patalpoje, prijungto nuožulniai, kad išmetamas vanduo laisvai tekėtų ir kad būtų galima išleisti vandenį iš sistemos.
- 1.14 DRENAŽAS: Išjunkite maitinimą ir užsukite šalto vandens tiekimą, atsukite karšto vandens čiaupą, tada valdykite apsauginį vožtuvą.
- 1.15 PASTABA. Jei naudojamas po kriaukle tvirtinamas vandens šildytuvai, atjunkite hidraulinę jungtį ir apvertę ištuštinkite prietaisą
- 1.16 Prieš nuimdami gaubtą įsitikinkite, kad maitinimas išjungtas; taip išvengsite sužeidimų ar elektros šoko pavojaus.
- 1.17 Įrenginio maitinimo prijungimas turi būti atliktas su visų polių atjungimo prietaisu (grandinės pertraukiklis, saugiklis), atsižvelgiant į galiojančias vietas įrenginių montavimo nuostatas (30 mA liekamosios srovės prietaisai).
- 1.18 Jei maitinimo kabelis pažeistas, jis turi būti pakeistas nauju kabeliu ar kitu gaminiu, gautu iš gamintojo atstovo ar priežiūros meistro.
- 1.19 Būtinas įžeminimas. Tam yra skirtas specialus  pažymėtas kontaktas.
- 1.20 Įrenginiai atitinka Elektromagnetinio suderinamumo direktyvos 2014/30/ES, Žemos įtampos direktyvos 2014/35/ES, Direktyvų 2015/863/ES ir 2017/2102/UE dėl tam tikrų pavojingų medžiagų naudojimo elektros ir elektroninėje įrangoje apribojimo ir Direktyvos 2013/814/ES, papildančios Direktyvą 2009/125/EB, nustatančią ekologinio projektavimo reikalavimų su energija susijusiems gaminiams nustatymo sistemą, reikalavimus.

- 1.21 Neišmeskite vandens šildytuvo su šiukšlėmis, bet atiduokite šiam tikslui skirtai įmonei (surinkimo taškui), kur jį bus galima perdirbti.



- 1.22 Šio produkto instrukciją galima gauti susisiekus su priežiūros skyriumi.
- 1.23 Šiame vandens šildytuve įrengtas termostatas, kurio darbinė temperatūra maksimalioje padėtyje yra aukštesnė nei 60 °C, kad būtų galima apriboti legionelės bakterijų plitimą rezervuare. **Atsargiai!** Aukštesnėje nei 50 °C temperatūroje vanduo gali iš karto sukelti rimtus nudegimus. Kaskart prieš vonią ar dušą būtinai patikrinkite vandens temperatūrą.
- 1.24 Reguliariai tikrinkite, ar vamzdynuose nėra nuotėkio.

2. MONTAVIMAS

- Žr. atitinkamas schemas 3 ir 4 psl. (žr. lentelę dešinėje):
- Nepamirškite po vamzdžiais palikti 300 mm laisvos vietos, kad galėtumėte pakeisti kaitinimo elementą.
- Vertikaliai montuojamiems įrenginiams, kurių Ø 505, jei siena nepakankamai tvirta, galima rinktis ant žemės montuojamas atramas. Kad įrenginys nenuvirtų, jį būtina pritvirtinti prie sienos viršutiniu laikikliu.
- Jei montuojate horizontaliai, vandens prijungimo vamzdžiai po įrenginiu turi būti vertikaloje padėtyje.

Skersmuo	Vertikalus montavimas	Horizontalus montavimas
Ø255	Žr. pav. po ② ir virš ③	
Ø338	Žr. pav. po ② ir virš ③	Žr. pav. ⑥
Ø380 Ø433	Žr. pav. ④ ir ⑤	Žr. pav. ⑥
Ø505	Žr. pav. ⑤	

3. HIDRAULINIS PRIJUNGIMAS

- Prieš atliekant hidraulinį sujungimą būtina išvalyti tiekimo vamzdyną. Siekiant išvengti vamzdžio korozijos (tiesiogiai besiliečianti geležis / varis) prijungimas prie karšto vandens ištekėjimo angos turi būti atliekamas naudojant ketaus ar plieninę movą arba dialektrinę jungtį. Draudžiama naudoti žalvarines jungtis.

MONTAVIMAS ESANT SLĖGIUI: Žr. pav. ⑦, ⑧, ⑨ ir ⑩, 4 psl. Ant vandens šildytuvo šalto vandens vamzdžio sumontuokite naują apsauginį vožtuvą, kuris atitinka standartus (Europoje EN 1487); nominalus slėgis 0,7–0,8 MPa (7–8 barai); diametras – 1/2" arba 3/4" (Lentelė 1 psl.).

MONTAVIMAS NESANT SLĖGIO: Žr. pav. ⑪ ir ⑫, 4 psl. Tiekimui į vieną naudojimo tašką, montavimas turi būti atliktas naudojant pasirinktą specialų maišytuvo čiaupą.

- **Šildymo metu iš vožtuvo gali lašėti vanduo, nestabdykite lašėjimo.** Jei tiekiamas apsauginis įtaisas neatitinka Prancūzijos teritorijoje (žemyninėse ir užjūrio teritorijose) taikomų montavimo kriterijų, nenaudokite jo.

4. PRIJUNGIMAS PRIE MAITINIMO TINKLO

- Žr. atitinkamas schemas 4 ir 6 psl. (žr. pav. ⑬, ⑭, ⑮, ⑯, ⑰, ⑱, ⑲, ⑳, ㉑, ㉒).
- Vandens šildytuvas gali būti jungiamas ir naudojamas tik prie 230 V arba 220–240 V kintamosios srovės tinklo, kaip nurodoma prietaiso vardinėje plokštelėje. Šildytuvą prijunkite standžiu kabeliu su 2,5 mm² konduktoriais. Naudokite standartinius kabelių kanalus (standžius arba lanksčius apsauginius kabelių vamzdžius) iki sukalibruoto korpuso gaubto.
- Prietaisą tiesiogiai prijunkite kabeliu arba kištuku. Prancūzijoje gaminys su kištuku yra griežtai draudžiamas ir negali būti parduodamas bei montuojamas.
- Visuomet sujunkite įžeminimo kontūrą su įžeminimo laidu arba sujunkite įžeminimo kontūrą su gnybtu, pažymėtu ženklu (⊕). Ši jungtis privaloma dėl saugumo. Žalias-geltonas įžeminimo laidas turi būti ilgesnis nei fazių laidai. Įranga turi būti sumontuota su dvipoliu išjungimo įtaisu prieš prietaisą (saugiklis su 3 mm minimaliu sąlyčio atstumu, pertraukiklis). Jei HIDRAULINĖS jungtis yra izoliacinėje medžiagoje, elektros grandinės turi būti apsaugotos 30 mA diferenciniu jungikliu, pritaikytu pagal vietos standartus.
- Terminis atjungimas: visuose gaminiuose yra termostatas ir šiluminis pertraukiklis su rankinio nustatymo iš naujo funkcija, kuris išjungia maitinimą įvykus perkaitimui. Kai suveikia apsauga A: išjunkite maitinimą prieš atlikdami bet kokius veiksmus. B: nuimkite plastikinį gaubtą. C: patikrinkite elektros prijungimą. D: iš naujo nustatykite apsaugą. Jei apsauga suveikia dažnai, pakeiskite termostatą. Niekada neapeikite termostato apsauginių ar reguliavimo funkcijų. Maitinimą prijunkite tik prie lizdų ar termostato įvado.

5. PALEIDIMAS

- **NIEKADA NEJUNKITE VANDENS ŠILDYTUVO, JEI JAME NĖRA VANDENS:** modeliai su elektriniu kaitinimo elementu neišvengiamai bus sugadinti.
- Pilnai užpildykite rezervuarą. Prieš įjungdami maitinimą, atidarykite karšto vandens čiaupus ir ištuštinkite vamzdžius, kad pašalintumėte orą.
- Po plastikiniu dangčiu patikrinkite vamzdžių ir jungės sandarumą. Jei sunkiasi vanduo, šiek tiek priveržkite. Patikrinkite hidraulinių komponentų ir apsauginio vožtuvo veikimą.
- Įjunkite maitinimą. Po 15–30 minučių (atsižvelgiant į prietaiso talpą) vanduo turėtų pradėti lašėti iš išleidimo angos. Tai vyksta dėl vandens plėtimosi ir yra normalu. Patikrinkite, ar nėra nuotėkio per jungtis ir sandariklius. Šildymo metu, atsižvelgiant į vandens kokybę, karšto vandens rezervuarai gali skleisti burbuliavimo triukšmą. Šis triukšmas yra įprastas ir jis nereiškia įrenginio gedimo.
- Termostatas gamykliškai nustatytas sustoti pasiekus 65 ± 5 °C. **Jei iš išleidimo angos ar atidarius čiaupą nepertraukiamai išleidžiami garai ar karštas vanduo, nedelsdami išjunkite vandens šildytuvo maitinimą ir kreipkitės į specialistą.**

6. TECHNINĖ PRIEŽIŪRA

- **Prieš pradėdami bet kokius darbus įsitinkite, jog išjungtas maitinimas, kad išvengtumėte sužeidimų ar elektros smūgio.**
- **Įsijungus apsauginiam įtaisui**, prieš atlikdami bet kokius darbus atjunkite elektros energijos tiekimą ir paveskite specialistui nustatyti iš naujo srovės pertraukiklį.
- **Namie atliekamą techninę priežiūrą** turi atlikti naudotojas. Kiekvieną mėnesį panaudokite apsauginį įtaisą, kad jis neužkalėtų, ir patikrinkite, ar jis nėra užblokuotas. Neatliekant šios techninės priežiūros procedūros prietaisas gali būti sugadintas ir garantija nebus taikoma. **Techninė priežiūra atlieka kvalifikuoti darbuotojai A:** Kalkių šalinimas: kalkių nuosėdų (nešvarumų) šalinimas. Nekrapštykite ir nebandykite numušti prie sienelių prilipusių kalkių, kad nepažeistumėte dangos. Nepamirškite pakeisti sandariklio ir surinkti prietaiso, patikrinkite, ar nėra vandens nuotėkio po pirmojo pašildymo. **B:** Jei prietaise naudojamas magnio anodas, keiskite magnio anodą kas dvejus metus arba kai jo skersmuo bus mažesnis nei 10 mm. **C:** Apvalkale esančio kaitinimo elemento keitimas apima vandens šildytuvo ištuštinimą ir sandariklio keitimą. Surinkite kaitinimo elementą, pakankamai priveržkite veržles (kryžminis veržimas), patikrinkite, ar nėra nuotėkio po pirmojo pašildymo, ir prirėkus priveržkite dar kartą. **D:** Drenažas: Išjunkite maitinimą ir šalto vandens tiekimą, atidarykite karšto vandens čiaupus ir apsauginio įtaiso išleidimo vožtuvą. Jei šildytuvą įrengtas po kriaukle, norėdami ištuštinti, atjunkite hidraulinius vamzdelius ir ištuštinkite.
- Keičiamos dalys: termostatas, tarpiklis, šildytuvai, magnio anodas, kabelis, gaubtas, lemputė ir jungiklis. Garantija galioja tik naudojant originalias gamintojo tiekiamas atsargines dalis. PATARIMAS NAUDOTOJUI. Jei vanduo yra kietas, t. y. TH > 20 ° f (>200 milijonų dalių), rekomenduojama minkštinti vandenį. Jei naudojamas vandens minkštiklis, likęs vandens kietumas turi būti didesnis nei 15 ° f. Ilgesnio prietaiso nenaudojimo atvejais, ypač žiemą, ištuštinkite prietaisą, o paskui atlikite paleidimo procedūras.

7. GARANTIJA (LT)

Gaminys turi būti sumontuotas, eksploatuojamas ir prižiūrimas laikantis geriausios praktikos ir įrengimo šalyje galiojančių standartų bei šiame vadove pateikiamų nurodymų.

Europos Sąjungoje šiam įrenginiui galioja teisiškai vartotojams taikoma garantija, užtikrinama pagal galiojančią direktyvą ir reglamentą bei gaminio įsigijimo šalyje taikomus teisės aktus. Ši garantija galioja nuo prekių pristatymo naudotojui dienos.

Be to, pagal teisinius garantijos aktus kai kuriems gaminiams gali būti suteikiama papildoma garantija, kuri apsiriboja nemokamu rezervuaro ir komponentų pakeitimu, jei juose aptinkama defektų, neištraukiant keitimo ir transportavimo išlaidų. Žiūrėkite žemiau pateiktą lentelę. Ši garantija neturi įtakos jokioms teisėms, kurios jums suteikiamos įstatymais numatytais garantijomis. Tai taikoma gaminio įsigijimo šalyje, jei jis sumontuotas toje pačioje teritorijoje. Apie visus pažeidimus prieš atliekant garantinius keitimus būtina pranešti įgaliojamai tarnybai ir paprašius pateikti įrenginį draudimo ekspertams bei gamintojui.

	PC / E-SERIES / EGO	O'PRO / O'PRO + / STEATITE / CERAMICS
Komercinė garantija	2 metai	2 metai
Papildoma komercinė garantija rezervuarui	+1 metai	5 metai



Išimty: Nusidėvinčiosios dalys: magnio anodai... Įranga, kuri nėra pasiekama (sudėtinga prieiga remontui, priežiūrai ar vertinimui). Įrenginiai, veikiami neįprastų aplinkos sąlygų: užšalimas, lauko oro sąlygos, neįprastų cheminių savybių, neatitinkančių geriamojo vandens kriterijų, vanduo, elektros tinklas su įtampos šuoliais. Įranga sumontuota nesilaikant įrengimo šalyje galiojančių standartų: neįrengtas arba netinkamas saugos įrenginys, neįprasta korozija dėl neteisingų hidraulinių jungčių (geležies / vario sąlytis), neteisingas įžeminimas, netinkamas kabelio storis, nesilaikoma šiose instrukcijose pateikiamų sujungimo brėžinių. Įranga neprižiūrima pagal šias instrukcijas. Įrangos remontas ar dalių keitimas nebuvo atliktas už garantinį remontą atsakingos įmonės ar jos įgaliojimų asmenų. Garantija taikoma gaminiams, kuriuose aptiktus defektus įvertino už garantinį remontą atsakinga įmonė. Pareikalavus būtina pateikti gaminius šiai įmonei.

- Norėdami pasinaudoti garantija, kreipkitės į savo montuotoją arba prekybos atstovą. Jei reikia, kreipkitės į: SCGA – tel. Nr. (+33)146836000, 2 allée Suzanne Penillault-Crapez 94110 Arcueil (Prancūzija), kurie jums nurodys, ką daryti.

OPOZORILA: Osebe (vključno z otroki) z zmanjšanimi telesnimi, zaznavnimi in umskimi sposobnostmi oziroma osebe s premalo izkušnjami ali znanja ne smejo uporabljati te naprave, razen če jih oseba, ki skrbi za njihovo varnost, ustrezno nadzira oziroma jih predhodno pouči o uporabi naprave. Otroke je treba nadzirati in poskrbeti, da se ne igrajo z napravo. Otroci od 3. leta in osebe z zmanjšanimi telesnimi, zaznavnimi in umskimi sposobnostmi oziroma osebe brez izkušenj ali znanja lahko to napravo uporabljajo, če so pod ustreznim nadzorom ali če so prejeli ustrezna navodila za varno uporabo naprave in če poznajo nevarnosti, do katerih lahko pri tem pride. Otroci se z napravo ne smejo igrati. Otroci ne smejo čistiti in vzdrževati naprave brez nadzora. Otroci od 3. do 8. leta starosti lahko upravljajo samo pipo, ki je povezana z grelnikom vode.

NAMESTITEV

1. **POZOR!** Težak predmet, bodite previdni:
 - 1.1 Napravo namestite v prostor, kjer ni nevarnosti zmrzali. Garancija ne krije škode na napravi, ki je posledica uporabnikovega poseganja v varnostni sistem.
 - 1.2 Prepričajte se, da ima stena, na katero želite namestiti napravo, zadostno nosilnost za napravo, ko je ta napolnjena z vodo.
 - 1.3 Če nameravate napravo namestiti v prostor ali na mesto, kjer temperatura okolice vedno presega 35 °C, poskrbite za ustrezno prezračevanje.
 - 1.4 Pri namestitvi v kopalnico naprave ne nameščajte v položaja V1 ali V2 (glejte sliko 1 na strani 3). Če ni dovolj prostora, je pri modelih za vodoravno namestitev dovoljena postavitve v položaj V2 ali čim višje v položaj V1.
 - 1.5 Glejte sliko 1 za namestitev.
 - 1.6 Izdelek je dovoljeno uporabljati na nadmorski višini največ 3000 m.
 - 1.7 Napravo namestite na lahko dostopno mesto.
 - 1.8 Navpična namestitev grelnika vode na steno: da omogočite morebitno zamenjavo grelnega elementa pustite pod koncima cevi naprave dovolj prostora (300 mm do prostornine 100 litrov in 480 mm pri večjih prostorninah).
 - 1.9 V primeru montaže naprave nad spuščnim stropom ali pod streho ali nad bivalnim prostorom morate pod grelnikom obvezno namestiti odtočno korito. Potreben je odtočni sistem, ki mora biti priključen na kanalizacijski sistem.

- 1.10 Vgrajena mora biti nova varnostna naprava, skladna z veljavnimi standardi (v Evropi EN 1487), nastavljena na tlak 0,7 ali 0,8 MPa (7 ali 8 bar) in premera $\frac{1}{2}$ " ali $\frac{3}{4}$ ". Varnostni ventil morate zaščititi pred zmrzaljo.
- 1.11 Tlačni varnostni ventil odtočnega sistema morate redno vklapljati, da odstranite vodni kamen in se prepričate, da ni prišlo do blokade.
- 1.12 Če tlak v dovodu vode presega 0,5 MPa (5 bar), je treba na glavni dovod namestiti tlačni reducirni ventil (ni priložen).
- 1.13 Varnostno napravo namestite na izpustno cev, ki je na odprtem, na mestu, kjer ni nevarnosti zmrzali, pri čemer mora biti zagotovljen stalen naklon za odvajanje vode zaradi raztezanja med segrevanjem ali v primeru praznjenja grelnika vode.
- 1.14 IZPUST: Prekinite napajanje in dovod hladne vode. Odprite ventile za toplo vodo na pipah in izpustni ventil varnostne naprave.
- 1.15 OPOMBA: Pri grelnikih vode, ki so nameščeni pod umivalnik, odklopite hidravlično enoto in jo obrnite navzdol, da se izprazni.
- 1.16 Preden odstranite pokrov, izklopite napajanje, da preprečite nevarnost poškodb in električnega udara.
- 1.17 V električni napeljavi mora biti pred napravo nameščena vsepolna odklopna naprava (tokovni odklopnik, varovalka) v skladu z veljavnimi lokalnimi predpisi za namestitev (30 mA naprava na diferenčni tok).
- 1.18 Če je napajalni kabel poškodovan, ga je treba zamenjati z ustreznim kablom ali posebnim kompletom, ki je na voljo pri proizvajalcu ali serviserju.
- 1.19 Ozemljitev je obvezna. V ta namen je na voljo posebna sponka z oznako .
- 1.20 Te naprave izpolnjujejo zahteve direktive o elektromagnetni združljivosti 2014/30/EU, direktive o nizkonapetostni opremi 2014/35/EU, direktiv o omejenih in nevarnih snoveh 2015/863/EU in 2017/2102/EU ter uredbe 2013/814/EU o izvajanju direktive glede okoljsko primerne zasnove 2009/125/ES.
- 1.21 Grelnika vode ne odvrzite med navadne smeti, temveč ga oddajte na ustreznem mestu (v zbirnem centru), kjer bo poskrbljeno za njegovo recikliranje. 
- 1.22 Za pridobitev navodil za uporabo te naprave se obrnite na oddelek za poprodajne storitve.

1.23 Grelnik vode je opremljen s termostatom, ki v svojem skrajnem položaju zagotavlja delovno temperaturo nad 60 °C za preprečevanje razmnoževanja legionele v posodi. Pozor! Voda, ogreta nad 50 °C, lahko takoj povzroči opekline. Pred kopanjem ali prhanjem zato preverite temperaturo vode.

1.24 Redno preverjajte, da cevi ne puščajo.

2. NAMESTITEV

- Glejte ustrezni shemi na straneh 3 in 4 (glejte razpredelnico na desni):
- Poskrbite, da bo pod cevmi 300 mm prostora za zamenjavo grelnega elementa.
- Če pri namestitvi naprav Ø 505 stena ni dovolj močna, je na voljo dodatna podpora na tleh. Kljub temu je treba enoto obvezno pritrditi na steno z zgornjim nosilcem, da se prepreči prevračanje.
- Pri vodoravni namestitvi morajo biti priključne cevi za vodo vedno pod napravo.

Premer	Navpična namestitev	Vodoravna namestitev
Ø255	Glejte sliko pod ② in nad ③	
Ø338	Glejte sliko pod ② in nad ③	Glejte sliko ⑥
Ø380 Ø433	Glejte sliko ④ in ⑤	Glejte sliko ⑥
Ø505	Glejte sliko ⑤	

3. HIDRAVLIČNA PRIKLJUČITEV


- Dovodne cevi je treba pred hidravlično priključitvijo očistiti. Za priključitev na izhod tople vode je treba uporabiti litoželezno ali jekleno obojko oz. dielektrični priključek, da preprečite korozijo cevi (neposreden stik železa z bakrom). Uporaba medeninastih spojki je prepovedana.

NAMESTITEV POD TLAKOM: Glejte slike ⑦, ⑧, ⑨ in ⑩ na strani 4. Na cev za hladno vodo grelnika vode vedno namestite novo varnostno napravo, ki ustreza standardom (EN 1487 v Evropi) in omejuje tlak do 0,7 ali 0,8 MPa (7 ali 8 bar), glede na nazivni tlak, in s premerom 1/2" ali 3/4" (tabela na strani 1).

NAMESTITEV BREZ TLAKA: Glejte slike ⑪ in ⑫ na strani 4. Za oskrbo posameznega odjemnega mesta je treba namestitev izvesti z dodatno posebno mešalno pipo.

- Med segrevanjem lahko iz ventila kaplja voda, a kapljanja ne preprečujte. Če dobavljena varnostna naprava ne izpolnjuje meril za namestitev na francoskem ozemlju (celinsko in čezmorsko ozemlje), je ne uporabljajte.

4. PRIKLOP NA ELEKTRIČNO OMREŽJE

- Glejte ustrezne sheme na straneh 4 in 6 (glejte slike ⑬, ⑭, ⑮, ⑯, ⑰, ⑱, ⑲, ⑳, ㉑, ㉒).
- Grelnik vode je dovoljeno priključiti in uporabljati samo na omrežjih AC 230 V ali AC 220–240 V v skladu s podatkovno ploščico na napravi. Grelnik vode priključite s trdim kablom z vodniki preseka 2,5 mm². Uporabite standarden kanal (toge ali gibke izvedbe) do pokrova na ohišju.
- Naprave priključite neposredno s kablom ali vtičem. V Franciji je izdelek z vtičem strogo prepovedan in ga ni mogoče kupiti in namestiti.
- Ozemljitveni vodnik kabla vedno priključite na ozemljitveno žico ali pa ozemljitveni vodnik priključite na ustrezno električno sponko, ki jo označuje simbol . Ta priključitev je iz varnostnih razlogov obvezna. Zeleno-rumen ozemljitveni vodnik mora biti daljši od faznih vodnikov. V napeljavi mora biti pred napravo nameščen bipolarni odklopnik (z najmanj 3 mm razmika med kontakti; varovalka, zaščitno stikalo). Če so hidravlične povezave izolirane, morajo biti električni tokokrogi zaščiteni z odklopnikom na diferenčni tok (30 mA), ki ustreza lokalnim standardom.
- Toplotni odklop: Vsi naši izdelki so opremljeni s termostatom s toplotnim odklopnikom z možnostjo ročne ponastavitve, ki ob pregretju prekine napajanje. Če se sproži varnostno stikalo A: Pred vsakim posegom prekinite napajanje. B: Odstranite plastični pokrov. C: Preverite električne priključke. D: Ponastavite varnostno stikalo. V primeru ponavljajočih se sprožitvev zamenjajte termostat. Nikoli ne delajte obkroga varnostnega ali regulacijskega termostata. Napajanje priključite samo prek vtičnic ali vhoda termostata.

5. ZAGON

- **GRELNIKA VODE NIKOLI NE VKLOPITE BREZ VODE:** Modeli, opremljeni z električnim grelnim elementom, bi se na ta način zagotovo poškodovali.
- Kotel povsem napolnite. Pred vklopom odprite ventile za toplo vodo na pipah in spustite vodo skozi cevi, da odstranite zrak.
- Preverite tesnjenje cevi in tesnila pod plastičnim pokrovom. Če je prisotno puščanje, nekoliko privijte. Preverite delovanje hidravličnih komponent in varnostnega ventila.
- Vklopite napajanje. Po 15 do 30 minutah, odvisno od prostornine naprave, bi voda morala začeti kapljati iz odtoka. To je povsem običajen pojav zaradi raztezanja vode. Preverite tesnjenje povezav. Med segrevanjem in glede na kakovost vode se lahko iz kotlov s toplo vodo sliši klokotanje. Ti zvoki so povsem običajni in ne pomenijo okvare naprave.
- Termostat je tovarniško nastavljen tako, da se ustavi pri 65 ± 5 °C. **Če opazite neprekinjeno uhajanje pare ali vroče vode iz odtoka ali do tega pride pri odpiranju pipe, takoj izklopite napajanje grelnika vode in pokličite strokovnjaka.**

6. VZDRŽEVANJE

- Pred vsakim postopkom preverite, da je napajanje prekinjeno, saj tako preprečite nevarnost poškodb ali električnega udara.
- Če se sproži varnostna naprava, prekinite napajanje pred vsakim posegom in odklopnik naj znova nastavi strokovnjak.
- **Domače vzdrževanje** mora opraviti uporabnik. Redno prožite varnostno napravo, da preprečite nabiranje vodnega kamna. Preverite tudi, ali je morebiti prišlo do blokade. Če tega vzdrževanja ne izvedete, lahko pride do škode in izgube garancije. **Vzdrževanje, ki ga mora opraviti usposobljeno osebje A:** Vodni kamen: Odstranite obloge vodnega kamna. Da se izognete poškodbam prevleke, ne praskajte ali udarjajte vodnega kamna, ki se drži sten. Ne pozabite zamenjati tesnila in naprave znova sestaviti. Po prvem segrevanju preverite morebitno puščanje vode. **B:** Pri napravah z magnezijevo anodo morate anodo zamenjati vsaki dve leti ali takoj, ko je njen premer manjši od 10 mm. **C:** Menjava cevnega grelnega elementa vključuje izpust vode iz grelnika vode in menjavo tesnila. Grelni element je treba znova sestaviti, ustrezno priviti matice (navzkrižno privijanje), preveriti, da po prvem ogrevanju ni puščanja, in po potrebi ponoviti privijanje. **D:** Izpust: Prekinite napajanje in dovod hladne vode. Odprite ventile za toplo vodo na pipah in izpustni ventil varnostne naprave. Pri grelniku vode pod umivalnikom odklopite hidravlične cevi in povratno cev za praznjenje.
- Zamenljivi deli so: termostat, tesnilo, grelnik, magnezijeva anoda, kabel, pokrov, luč in stikalo. Garancija je vezana na uporabo originalnih nadomestnih delov proizvajalca. **NASVETI ZA UPORABNIKA:** V primeru trde vode s TH > 20 °f (> 200 ppm) priporočamo, da vodo zmehčate. Če uporabljate mehčalec vode, trdota vode ne sme pasti pod 15 °f. V primeru daljše neuporabe, še posebej pozimi, izpraznite napravo in sledite navodilom za zagon.

7. GARANCIJA (SL)

Izdelek je treba namestiti, uporabljati in vzdrževati v skladu z najsodobnejšimi standardi in standardi, ki veljajo v državi namestitve, ter navodili v tem priročniku.

V Evropski uniji ima naprava zakonito garancijo, ki se potrošnikom dodeli v skladu z direktivo in uredbo, ki sta v veljavi, ter ustrezno zakonodajo v državi nakupa. Ta garancija velja od datuma izročitve blaga potrošniku.

Poleg pravne garancije imajo nekateri izdelki tudi podaljšano garancijo, omejeno na brezplačno zamenjavo kotla in sestavnih delov, ki so prepoznani kot pomanjkljivi, pri čemer so izzeti stroški zamenjave in prevoza. Glejte tabelo spodaj. Ta garancija ne vpliva na pravice, ki vam pripadajo iz naslova zakonske garancije. Uporablja se v državi nakupa izdelka, pod pogojem, da je nameščen tudi na istem ozemlju. O vsaki škodi je treba obvestiti uvoznika pred garancijsko zamenjavo, enota pa ostane na voljo zavarovalnim strokovnjakom in proizvajalcu.

	PC / E-SERIES / EGO	O'PRO / O'PRO + / STEATITE / CERAMICS
Tržna garancija	2 leti	2 leti
Dodatna tržna garancija za kotel	+1 leto	5 let

Izjeme: Potrošni deli: magnezijeve anode ... deli, do katerih ni mogoče dostopati (otežen dostop za popravilo, vzdrževanje ali ocenjevanje). Naprave, ki so izpostavljene nenormalnim okoljskim pogojem: zmrzal, zunanji vremenski vplivi, voda z nenormalnimi kemičnimi lastnostmi zunaj meril za pitno vodo, omrežje z močmi napetostnimi konicami. Nameščena oprema brez upoštevanja veljavnih standardov v državi namestitve: odsotnost ali napačna namestitve varnostne naprave, neobičajna korozija zaradi nepravilnih hidravličnih priključkov (stik železa z bakrom), nepravilna ozemljitev, neustrezen presek kabla, neupoštevanje priključnih risb v teh navodilih za uporabo. Oprema, ki se ne vzdržuje v skladu s temi navodili. Popravila ali zamenjava delov ali komponent opreme, ki jih ni opravila ali jih ni odobrila odgovorna družba. Garancija velja za izdelke, ki so v okvari in jih oceni podjetje, odgovorno za garancijo. Temu podjetju morate obvezno zagotoviti dostop do izdelka.

– Za uveljavljanje garancije, se obrnite na svojega monterja ali prodajalca. Po potrebi se obrnite na: SCGA –

Tel: (+33) 146836000, 2 allée Suzanne Penillault-Crapez 94110 Arcueil (Francija), kjer vam bodo svetovali, kako ravnati



LATVIEŠU (LV)

BRĪDINĀJUMI. Šo iekārtu nav paredzēts lietot personām (tostarp bērniem) ar fiziskās, uztveres vai garīgās attīstības traucējumiem vai personām ar nepietiekamu pieredzi vai zināšanām, ja vien tās pienācīgi neuzrauga vai par iekārtas lietošanu neapmāca par iekārtas drošību atbildīgā persona. Bērni ir jāuzrauga, lai tie nespēlētos ar iekārtu. Šo iekārtu drīkst lietot bērni, kas nav jaunāki par 3 gadiem, un cilvēki ar ierobežotām fiziskajām, uztveres vai garīgajām spējām vai bez pieredzes un zināšanām, ja viņi tiek pienācīgi uzraudzīti vai ja tiek sniegti norādījumi par drošu iekārtas lietošanu un tiek ņemti vērā riski. Bērni nedrīkst spēlēties ar iekārtu. Bērni nedrīkst veikt tīrīšanu un apkopi bez uzraudzības. Bērni vecumā no 3 līdz 8 gadiem drīkst darboties tikai ar krānu, kas savienots ar ūdens sildītāju.

UZSTĀDĪŠANA

1. **UZMANĪBU!** Ar smagu priekšmetu rīkoties piesardzīgi:

- 1.1 Uzstādīt ierīci telpā, ko neskar sals. Ja ierīce tiek sabojāta tādēļ, ka bloķēta pārmērīga spiediena drošības ierīce, tad garantija zaudē spēku.
- 1.2 Pārliecinieties, ka siena spēj izturēt ar ūdeni piepildītas ierīces svaru.
- 1.3 Ja ierīci uzstāda telpā vai vietā, kur vides temperatūra nepārtraukti pārsniedz 35°C, nodrošiniet telpā ventilāciju.
- 1.4 Uzstādot iekārtu vannasistabā, neuzstādi iekārtu zonās V1 un V2 (skatīt 1. zīm., 3. lpp.). Ja nav pietiekami daudz vietas, iekārtu var uzstādīt zonā V2 vai augstākajā iespējamajā zonā V1 horizontālajiem modeļiem.
- 1.5 Skatiet 1. uzstādīšanas attēlus.
- 1.6 Šis izstrādājums ir paredzēts lietošanai maksimāli 3000 m augstumā virs jūras līmeņa.
- 1.7 Novietojiet ierīci pieejamā vietā.
- 1.8 Vertikālā pie sienas stiprināmā ūdens sildītāja uzstādīšana: lai nākotnē sildelementa nomaiņa būtu viegla, atstājiet brīvu vietu (300 mm līdz 100 litriem un 480 mm lielākiem tilpumiem).
- 1.9 Ja ierīce tiek uzstādīta piekaramajos griestos, bēniņos vai virs dzīvojamajām telpām, zem ūdens sildītāja obligāti jāuzstāda ūdens uztvērējs. Nepieciešama notecināšanas ierīce, kas savienota ar notekūdeņu sistēmu.
- 1.10 Jāuzstāda jauna drošības ierīce, kas atbilst spēkā esošajiem standartiem (Eiropā – EN 1487), ar 0,7 vai 0,8 MPa (7 vai 8 bar) spiedienu un 1/2" vai 3/4" diametru. Drošības vārsts ir jāaizsargā pret sasalšanu.
- 1.11 Regulāri jādarbina pārspiediena vārsta notekierīce, lai iztīrītu no tās kaļķakmens nosēdumus un pārbaudītu, vai tā nav nosprostojusies.
- 1.12 Ja ūdens padeves spiediens pārsniedz 0,5 MPa (5 bar) nepieciešams un uz galvenās padeves caurules jāuzstāda spiediena reduktors (nav iekļauts komplektā).
- 1.13 Savienojiet drošības ierīci ar izplūdes cauruli, kas atrodas nenošlēgtā un no sasalšanas aizsargātā vidē, kā arī kas novietota ar atvērto galu slīpi uz leju, lai notecinātu sasilšanas rezultātā izpletušos ūdeni vai ļautu notecināt ūdens sildītājā esošo ūdeni.

- 1.14 **NOTEKINĀŠANA:** izslēdziet strāvas un aukstā ūdens padevi, atveriet karstā ūdens krānus, tad izmantojiet drošības ierīces notekvārstu.
- 1.15 **PIEZĪME:** ūdens sildītājiem zem izlietnēm, atvienojiet hidraulisko iekārtu un apgrieziet to otrādi, lai notecinātu
- 1.16 Lai nepieļautu savainojumu vai strāvas trieciena risku, pirms pārsega noņemšanas obligāti atvienojiet elektroenerģijas padevi.
- 1.17 Instalācijā pirms iekārtas ir jāuzstāda bipolāra atvienošanas ierīce (drošinātājs, jaudas slēdzis) kas atbilst vietējiem spēkā esošajiem noteikumiem attiecībā uz elektroinstalāciju (30 mA noplūdstrāvas aizsargslēdzis).
- 1.18 Ja kabelis ir bojāts, tas jānomaina ar kabeli vai tīpašu komplektu, ko piedāvā ražotājs vai pēcpārdošanas apkalpošana.
- 1.19 Zemējums ir obligāts. Šim mērķim paredzētas speciālas  marķētas spaiļes.
- 1.20 Šīs iekārtas atbilst direktīvām 2014/30/ES par elektromagnētisko saderību, 2014/35/ES par zemspriegumu, 2015/863/ES un 2017/2102/ES par ROHS, un 2013/814/ES, kas papildina direktīvu 2009/125/EK par ekodizainu.
- 1.21 Neizmetiet savu ierīci kopā ar sadzīves atkritumiem, bet nododiet to noteiktā vietā (savākšanas punktā), kur to var pārstrādāt. 
- 1.22 Šīs ierīces lietotāja rokasgrāmata pieejama pie pēcpārdošanas apkalpošanas.
- 1.23 Ūdens sildītājs tiek pārdots ar termostatu, kura darbības temperatūra pārsniedz 60°C maksimālajā pozīcijā, ar kuru var ierobežot legionellu baktēriju izplatīšanos tvertnē. Uzmanību! Ūdens, kas ir karstāks par 50 °C, var vienā mirklī izraisīt apdegumus. Pārbaudiet ūdens temperatūru pirms mazgājaties dušā vai vannā.
- 1.24 Regulāri pārbaudiet cauruļu hermētiskumu.

2. UZSTĀDĪŠANA

- Skatiet atbilstošās shēmas 3. un 4. lappusē (tabula otrā pusē):
- Lai eventuāli veiktu sildīšanas elementa maiņu, atstājiet zem cauruļu galiem 300 mm brīvu vietu.
- Vertikālām iekārtām Ø 505 pēc izvēles ir pieejams statīvs, ja siena nav pietiekami izturīga. Tomēr ierīce ir obligāti jānostiprina pie sienas ar augšējo kronšteinu, lai novērstu tā kustēšanos.
- Horizontālajām iekārtām hidrauliskās savienojumu caurulēm obligāti jāatrodas vertikālā pozīcijā ierīces apakšpusē.

Diametrs	Vertikāla uzstādīšana	Horizontāla uzstādīšana
Ø255	Skatīt zīm. zem ② & virs ③	
Ø338	Skatīt zīm. zem ② & virs ③	Skatīt zīm. ⑥
Ø380 Ø433	Skatīt zīm. ④ & ⑤	Skatīt zīm. ⑥
Ø505	Skatīt zīm. ⑤	

3. HIDRAULISKAIS SAVIENOJUMS


- Pirms hidrauliskā savienojuma uzstādīšanas ir jāiztīra pievades caurules. Savienojumam ar karstā ūdens izvadu jāizmanto čuguna vai tērauda uzmava vai dielektriskais savienotājs, lai tādējādi izvairītos no caurules (tieša dzelzs/vara kontakta izraisītas) korozijas. Misiņa savienotājelementu izmantošana ir aizliegta.

UZSTĀDĪŠANA ZEM SPIEDIENA: Skatīt zīm. 7, 8, 9 & 10, 4. lpp. Ūdens sildītāja ieejā obligāti jāievieto jauna drošības ierīce, kas atbilst spēkā esošajiem standartiem (Eiropā EN 1487), pie spiediena 0,7 vai 0,8 MPa (7 vai 8 bāri) atkarībā no nominālā spiediena, izmērs 1/2" vai 3/4" (tabula, 1. lpp.).

UZSTĀDĪŠANA BEZ SPIEDIENA: Skatīt zīm. 11 & 12, 4. lpp. Viena padeves punkta barošanas gadījumā šī iekārta jāaprīko ar speciālu maisītāja krānu, kas nav iekļauts komplektā.

- **Uzsildīšanas laikā pie vārsta var veidoties ūdens lāses, neaizkavējiet pilēšanu.** Drošības ierīce, ja tā tiek piegādāta, neatbilst uzstādīšanas kritērijiem Francijas teritorijā (kontinentālajā teritorijā un aizjūras teritorijās), nelietojiet to.

4. ELEKTRISKAIS SAVIENOJUMS

- Skatiet atbilstošas shēmas 4. un 6. lpp. (Skatīt zīm. (13, 14, 15, 16, 17, 18, 19, 20, 21, 22)).
- Ūdens sildītāju var pieslēgt un darbināt tikai ar AC 230V vai AC 220-240V saskaņā ar ierīces datu plāksni. Pievienojiet ūdens sildītāju ar cietu 2,5 mm² kabeli. Izmantojiet standartizētus kanālus (stingras vai lokanas elektroinstalācijas caurules) līdz pat kalibrēta korpusa vākam.
- Pievienojiet ierīces tieši kabelim vai kontaktdakšai. Francijā produkts ar kabeli un kontaktdakšu ir stingri aizliegts un to nevar pārdot un uzstādīt.
- Obligāti jāpievieno zemējuma vadotne zemei vai zemējuma vads jāatstāj uz termināļa, ko apzīmē ar simbolu . Šis savienojums ir obligāts drošības apsvērumu dēļ. Zaļi dzeltenajam zemējuma vadam jābūt garākam par fāžu vadiem. Instalācijā pirms ierīces jābūt uzstādītai bipolārai izslēgšanas ierīcei (drošinātājam, jaudas slēdzim ar vismaz 3 mm kontaktspraugu). Gadījumā, ja hidrauliskās novades izgatavotas no izolācijas materiāliem, elektriskajai ķēdei jābūt aizsargātai ar 30 mA diferenciālo strāvas slēdzi, kas pielāgots spēkā esošajiem standartiem.
- Siltuma cirkulācijas slēdzis: Visi izstrādājumi ir aprīkoti ar termostatu, ieskaitot termoslēdzi ar manuālu atiestatīšanu, kas pārkaršanas gadījumā pārtrauc elektrības padevi. Gadījumā, ja ir nostrādājusi drošības ierīce A. Pirms jebkādu darbību veikšanas pārtrauciet elektrības padevi. B. Noņemiet plastmasas vāku. C. Pārbaudiet elektrisko savienojumu. D. Atiestatiet drošības ierīci. Atkārtotas nostrādes gadījumā nomainiet termostatu. Nekad neapejiet drošības vai regulēšanas termostatu. Pievienojiet strāvas avotu tikai kontaktligzdām vai termostata ieejai.

5. IESLĒGŠANA

- **NEKĀDĀ GADĪJUMĀ NEPIESLĒDZIET ŪDENS SILDĪTĀJU BEZ ŪDENS:** Modeļi ar elektrisko sildelementu noteikti tiks sabojāti.
- Pilnībā piepildiet tvertni. Pirms elektroenerģijas padeves ieslēgšanas atveriet karstā ūdens krānus, izteciniet caurules, lai izlaistu gaisu.
- Pārbaudiet cauruļu un starpliku blīvējumu zem pārsega. Noplūdes gadījumā mēreni pievelciet. Pārbaudiet hidraulisko komponentu un drošības vārsta darbību.
- Pieslēdziet ierīci strāvai. Pēc 15 līdz 30 minūtēm atkarībā no ierīces ietilpības ūdenim ir jāpil caur noteces caurumu. Tā ir normāla parādība un notiek ūdens izplešanās dēļ. Pārbaudiet, vai savienojumos un blīvējumā nav radusies noplūde. Sildīšanas laikā un atbilstoši ūdens kvalitātei karstā ūdens tvertnes var radīt burbuļojošu troksni. Šāds troksnis ir normāla parādība un neliecina par ierīces defektiem.
- Termostats pēc noklusējuma ir iestatīts tā, lai apstātos pie 65 ± 5°C. **Ja no drenāžas caurules vai atverot krānu novērojat nepārtrauktu tvaika vai karstā ūdens izplūdi, nekavējoties izslēdziet elektroenerģijas padevi ūdens sildītājam un sazinieties ar speciālistu.**

6. APKOPE

- **Pirms jebkādas darbības veikšanas pārlicinieties, ka strāvas padeve ir izslēgta, lai izvairītos no traumām vai elektriskās strāvas trieciena.**
- **Ja drošības ierīce ir nostrādājusi,** pirms jebkādas darbības pārtrauciet strāvas padevi un lūdziet, lai speciālists atiestata strāvas slēdzi.
- **Ikdienas apkope** jāveic lietotājam. Drošības ierīci darbiniet katru mēnesi, lai nepieļautu katlakmens veidošanos un pārbaudītu, vai tā nav aizsērējusi. Šīs tehniskās apkopes neveikšana var izraisīt bojājumus un garantijas zaudēšanu. **Apkope, ko veic kvalificēti speciālisti A.** Katlakmens veidošanās: noņemiet katlakmeni, kas nogulsņējis kā dubļi. Lai nesabojātu pārklājumu, neskrāpējiet un nesitiet pa pie sienām pielipušo katlakmeni. Neaizmirstiet nomainīt blīvējumu un samontēt iekārtu, pēc pirmās uzsildīšanas reizes pārbaudiet, vai nav ūdens noplūdes. **B.** Ierīcēs ar magnija anodu magnija anods jānomaina ik pēc diviem gadiem vai tiklīdz anoda diametrs ir kļuvis mazāks par 10 mm. **C.** Apvalkotā sildelementa nomaina ietver ūdens sildītāja iztukšošanu un blīvējuma nomainu. No jauna samontējiet sildelementu, samērīgi (krusteniski) pievelkot uzgriežņus, pēc pirmās uzsildīšanas reizes pārbaudiet, vai nav noplūdes, un, ja nepieciešams, vēlreiz pievelciet. **D.** Notecināšana. Izslēdziet elektroenerģijas un aukstā ūdens padevi. Atveriet karstā ūdens krānus un drošības ierīces drenāžas vārstu. Ūdens sildītājam, kas atrodas zem izlietnes, atvienojiet hidrauliskās caurules un turpiniet iztukšošanu.
- Maināmās detaļas ir šādas: termostats, starplika, sildītājs, magnija anods, kabelis, vāks, apgaismojums un slēdzis. Garantija ir atkarīga no ražotāja oriģinālo rezerves daļu izmantošanas. **PADOMS LIETOTĀJAM.** Ja ūdens cietība TH pārsniedz 20° f (> 200 ppm), ieteicams ūdeni mīkstināt. Ūdens mīkstinātāja izmantošanas gadījumā atlikušajai ūdens cietībai jābūt lielākai par 15° f. Ilgākas prombūtnes gadījumā un it īpaši ziemā iztukšojiet ierīci un pēc tam ievērojiet ierīces ieslēgšanas instrukcijas.

7. GARANTIJA (LV)

Izstrādājums jāuzstāda, jāizmanto un jāuztur saskaņā ar jaunākajiem noteikumiem un uzstādīšanas valstī spēkā esošajiem standartiem un šajā rokasgrāmatā sniegtajiem norādījumiem.

Eiropas Savienībā šai ierīcei ir tiesiska garantija, kas patērētājiem tiek piešķirta saskaņā ar spēkā esošo direktīvu un regulu, kā arī saskaņā ar tiesību aktiem, kas piemērojami izstrādājuma iegādes valstī. Tiesiskā garantija stājas spēkā no brīža, kad prece tiek piegādāta patērētājam.

Papildus tiesiskajai garantijai atsevišķiem izstrādājumiem var būt papildu garantija cisternas un bojātu komponentu bezmaksas apmaiņai, izņemot darba un transportēšanas izmaksas. Skatiet tabulu zemāk. Šī komerciālā garantija neietekmē tiesības, kuras jūs varat saņemt, piemērojot tiesisko garantiju. Tas attiecas uz valsti, kurā iegādāts produkts, ja vien tas ir uzstādīts arī tās pašas valsts teritorijā. Pirms preces apmaiņas garantijas ietvaros par jebkuru bojājumu vispirms jāpaziņo pilnvarotajai personai, un šī ierīce paliks apdrošināšanas ekspertu un ražotāja rīcībā

	PC / E-SERIES / EGO	O'PRO / O'PRO + / STEATITE / CERAMICS
Komerčiālā garantija	2 gadi	2 gadi
Papildu komerciāla garantija uz cisternām	+1 gads	5 gadi

Garantija neattiecas uz: nolietotām detaļām: magnija anodiem ... ierīcēm, kurām nav iespējams veikt ekspertīzi (grūti pieejams remontam, apkopei vai ekspertīzei). Ierīcēm, kas pakļautas nenormāliem vides apstākļiem: sals, slikti laika apstākļi, ūdens ar neparastām ķīmiskajām īpašībām, kas neatbilst dzeramā ūdens kritērijiem, elektriskā barošana ar ievērojamiem pārspriegumiem. Iekārtas uzstādītas, neievērojot uzstādīšanas valstī spēkā esošos standartus un noteikumus: drošības ierīču pret pārāk augstu spiedienu neesamība vai nepareiza uzstādīšana, anomāla korozija, kas radusies nepareiza hidrauliskā savienojuma dēļ (dzelzs/vara savienojums), nepareiza zemēšana, nepietiekams elektrības vadu šķērsriezums, šajā rokasgrāmatā norādītu elektroinstalācijas shēmu nepareizs saslēgums. Ierīces, kas netiek uzturētas saskaņā ar šīs rokasgrāmatas prasībām. Nav veikta ierīces detaļu vai sastāvdaļu labošana vai nomaiņa, vai veikta uzņēmumā, kas nav atbildīgs par garantiju. Garantija attieksies tikai uz tiem produktiem, kurus par garantiju atbildīgais uzņēmums ir novērtējis un atzinis to bojājumus. Obligāti jānodrošina produktu pieejamība šim uzņēmumam.

- Lai saņemtu garantiju, sazinieties ar savu uzstādītāju vai izplatītāju. Pretējā gadījumā sazināties: SCGA -

Tel: (+33) 146836000, 2 allée Suzanne Penillault-Crapez 94110 Arcueil (Francija), kas jums paziņos, kā rīkoties tālāk.

5. بدء التشغيل

- لا تقم مطلقاً بتشغيل سخان الماء بدون ماء: من المؤكد أن الطرازات التي تحتوي على عنصر تسخين كهربائي ستتألف.
- املاً الخزان بالكامل. قبل بدء التشغيل، افتح صنابير الماء الساخن وقم بتصريف الأنابيب من أجل تفرغ الهواء.
- تحقق من إحكام ربط الأنابيب ومانع التسرب المشفاه تحت الغطاء البلاستيكي. في حالة حدوث تسرب، أحكم الربط بشكل معتدل. تحقق من تشغيل المكونات الهيدروليكية وصمام الأمان.
- قم بتوصيل الكهرباء. بعد 15 إلى 30 دقيقة، تبعا لسعة الجهاز، يجب أن يتقاطر الماء من منفذ التصريف. وهذا أمر طبيعي ويرجع إلى تمدد المياه. قم باستقصاء أي تسربات بالوصلة وقم بإحكامها. أثناء التسخين وتبعا لدرجة جودة المياه، يمكن أن تصدر خزانات الماء الساخن أصوات فقاعات فوران. وهذه الأصوات طبيعية ولا تشير إلى وجود أي عطل بالوحدة.
- تم ضبط الثرموستات في المصنع للتوقف عند 65 ± 5 °م. إذا رأيت انبعثاً مستمراً للبخار أو الماء الساخن من منفذ التصريف أو عند فتح صنابير، فافصل الطاقة عن سخان الماء على الفور واتصل بفني متخصص.

6. الصيانة

- قبل القيام بأي أعمال، تأكد من فصل الطاقة لتجنب مخاطر التعرض لأي إصابة أو صدمة كهربائية.
- في حالة تعطل جهاز الأمان، قم بفصل التيار قبل إجراء أي عملية وقم بإعادة ضبط قاطع التيار بواسطة فني محترف.
- يجب تنفيذ الصيانة المنزلية من قبل المستخدم. قم بتشغيل جهاز الأمان كل شهر لمنع تراكم الترسبات وتحقق من عدم انسدادها. قد يؤدي عدم تنفيذ هذه الصيانة إلى حدوث ضرر وفقدان حقوق الضمان. الصيانة بواسطة موظفين مؤهلين: الترسبات: قم بإزالة الترسبات المتراكمة مثل الوحل. لا تقم بخدش أو الطرق على الترسبات الملصقة بالجدران لتجنب حدوث أضرار بطبقة الطلاء. لا تنس تغيير مانع التسرب وإعادة تجميع الجهاز، وتأكد من عدم وجود تسرب للمياه بعد التسخين الأول. ب: بالنسبة للأجهزة ذات الأنود المغنيسيوم، قم بتغيير أنود المغنيسيوم كل عامين أو بمجرد أن يكون قطره أقل من 10 مم. ج: يتضمن تغيير عنصر التسخين المغلف تصريف المياه من سخان الماء وتغيير مانع التسرب. أعد تجميع عنصر التسخين، وأحكم ربط الصواميل بشكل معقول (إحكام ربط بشكل متقاطع)، وتحقق من عدم وجود تسرب بعد التصريف الأول، وأحكم الربط مرة أخرى إذا لزم الأمر. د: التصريف: يرجى التأكد من فصل الطاقة الكهربائية ومصدر المياه الباردة، إلى جانب فتح صنابير المياه الساخنة، ثم تشغيل صمام التصريف في جهاز الأمان. بالنسبة لسخان الماء أسفل الحوض، افصل الأنابيب الهيدروليكية واقلبها لإجراء التفريغ.
- الأجزاء القابلة للاستبدال هي: الثرموستات والجوان والسخان وأنود المغنيسيوم والكابل والغطاء واللمبة والمفتاح. يخضع الضمان لاستخدام قطع الغيار الأصلية من الشركة المصنعة. نصيحة للمستخدم: في حالة الماء القاسي مع $TH > 20$ °ف (< 200 جزء في المليون)، نوصي بتخفيف قساوة الماء. في حالة استخدام مزبل قساوة الماء، يجب أن تكون قساوة الماء المتبقي أكثر من 15°ف. في حالة الغياب لفترة طويلة وخاصة في فصل الشتاء، قم بإجراء تصريف لجهازك ثم اتبع إجراءات بدء التشغيل.

7. الضمان (AR)

- يجب تركيب المنتج وتشغيله وصيانته وفقاً لأحدث ما توصلت إليه التكنولوجيا ووفقاً للمعايير المعمول بها في بلد التركيب والتعليمات الواردة في هذا الدليل.
- في الاتحاد الأوروبي، تتمتع هذه الوحدة بالضمان القانوني الممنوح للمستهلكين وفقاً للتعليمات واللوائح المعمول بها في بلد شراء المنتج. الضمان القانوني ساري المفعول من تاريخ تسليم البضائع للمستهلك.
- بالإضافة إلى الضمان القانوني، تتمتع بعض المنتجات بضمان ممتد، يقتصر على الاستبدال المجاني للخزان والمكونات التي تم الإقرار بأنها معيبة، باستثناء تكلفة الاستبدال والنقل. ارجع إلى الجدول أدناه. لا يؤثر هذا الضمان على أي حقوق قد تستفيد منها نتيجة لتطبيق الضمان القانوني. ويسري في بلد شراء المنتج، بشرط أن يتم تثبيته أيضاً في نفس البلد. يجب إبلاغ المستودع بأي ضرر قبل الاستبدال بموجب الضمان وستظل الوحدة متاحة لخبراء التأمين وللشركة المصنعة.

OPRO/OPRO+/CERAMIC/STEATITE	PC/E-SERIES/EGO	الضمان التجاري
سنتان	سنتان	يشمل خزان الماء ولا يشمل عنصر التسخين
ثلاث سنوات		

الاستثناءات: الأجزاء الخاضعة للتآكل: أنودات المغنيسيوم ... الجهاز الذي لا يمكن الوصول إليه (يصعب الوصول إليه للإصلاح أو الصيانة أو التقييم). الأجهزة المعرضة لظروف بيئية غير طبيعية: الصقيع، والطقس في الأماكن المكشوفة، والمياه ذات الخصائص الكيميائية غير الطبيعية خارج إطار معايير مياه الشرب، وشبكة الكهرباء المحتوية على ذرات طاقة. الجهاز المركب دون مراعاة المواصفات الحالية في بلد التركيب: عدم وجود جهاز أمان أو وجود جهاز أمان غير صحيح، التآكل غير الطبيعي بسبب التركيبات الهيدروليكية غير الصحيحة (ملاسة الحديد/النحاس)، التآريض غير الصحيح، سُمك الكابل غير المناسب، عدم مراعاة رسومات التوصيل الموضحة في هذه التعليمات. لم تتم صيانة الجهاز وفقاً لهذه التعليمات. الإصلاحات أو أعمال استبدال الأجزاء أو المكونات في الجهاز التي لم يتم تنفيذها أو لم يتم التصريح بها من قبل الشركة المسؤولة عن الضمان. يسري الضمان على المنتجات المعيبة والتي تم تقييمها من قبل الشركة المسؤولة عن الضمان. ومن الضروري إبقاء المنتجات متاحة لتلك الأخيرة.

- لأية مطالبات بموجب الضمان، اتصل بفني التركيب أو الموزع. وعند اللزوم، اتصل بـ: SCGA - هاتف: (+33)146836000، 2 allée Suzanne Penillault-Crapez 94110 Arcueil (France)، والتي ستخبرك بما يتعين عليك فعله.

- 1.14 التصريف: يرجى التأكد من فصل الطاقة الكهربائية ومصدر المياه الباردة، إلى جانب فتح صنابير المياه الساخنة، ثم تشغيل صمام التصريف في جهاز الأمان.
- 1.15 ملاحظة: بالنسبة لسخانات المياه أسفل الأحواض، افصل الوحدة الهيدروليكية واقلبها لإجراء التصريف.
- 1.16 تأكد من فصل الطاقة قبل إزالة الغطاء؛ لتجنب حدوث أي إصابات أو صدمة كهربائية.
- 1.17 في الجزء العلوي من الجهاز، يجب أن يكون هناك جهاز قاطع تيار متعدد الأقطاب عند التركيب الكهربائي (قاطع دائرة، فاصمة حرارية) متوافق مع قواعد التركيب المحلية المعمول بها (30 مللي أمبير من جهاز التيار المتبقي).
- 1.18 في حالة تلف كابل إمداد الطاقة، يجب استبداله بكابل أو مجموعة خاصة توفرها الشركة المُصنعة أو وكيل خدمة ما بعد البيع.
- 1.19 عملية التأسيس إلزامية. يتم توفير موصل يحمل علامة \oplus لهذا الغرض.
- 1.20 هذه الأجهزة تتوافق مع توجيهات الاتحاد الأوروبي 2014/30/EU المتعلقة بالتوافق الكهرومغناطيسي، و 2014/35/EU المتعلقة بالجهد المنخفض، و 2015/863/EU و 2017/2102/EU المتعلقة بتوجيه الحد من المواد الخطرة ROHS و 2013/814/EU التي تُعد توجيهات تكميلية لتوجيه 2009/125/EC المتعلق بـ Ecodesign.
- 1.21 لا تتخلص من سخان الماء الخاص بك بإلقائه في القمامة، ولكن سلمه إلى مكان مخصص لهذا الغرض (نقطة تجميع) حيث يمكن إعادة تدويره.
- 1.22 يتم توفير كتيب التعليمات الخاص بهذا الجهاز من خلال الاتصال بخدمة ما بعد البيع.
- 1.23 سخان الماء هذا مزود بثرموسنات تبلغ درجة حرارة تشغيله أكثر من 60°م عند أقصى وضع له، كما أنه قادر على الحد من نمو البكتيريا الفيقلية في الخزان. تنبيه! إذا زادت درجة الحرارة عن 50°م، فقد يتسبب الماء في الإصابة بحروق فورية. تحقق من درجة حرارة المياه قبل الاستحمام بالدش أو في البانيو.
- 1.24 يرجى التحقق دائماً من عدم وجود تسريب في الأنابيب.



2. التركيب

التركيب الأفقي	التركيب الرأسي	القطر
	انظر الشكل أسفل ② وأعلى ③	Ø255
انظر الشكل ⑥	انظر الشكل أسفل ② وأعلى ③	Ø338
انظر الشكل ⑥	انظر الشكل ④ و ⑤	Ø380 Ø433
	انظر الشكل ⑤	Ø505

- راجع الرسوم البيانية المقابلة p.3 و 4 (انظر الجدول على اليمين):
 - تأكد من إبقاء مساحة خالية تبلغ 300 مم أسفل الأنابيب لتبادل عنصر التسخين.
 - للتركيب الرأسي لأجهزة Ø 505 إذا لم يكن الجدار قوياً بدرجة كافية، فإنه يمكن توفير دعم أرضي اختياري. ومع ذلك، من الضروري تثبيت الوحدة على الحائط باستخدام الدعامة العلوية لتجنب الانقلاب.
 - للتركيب الأفقي، يجب أن تكون أنابيب توصيل الماء دائماً في وضع رأسي أسفل الجهاز.

3. توصيلات المياه

- من الضروري تنظيف أنابيب الإمداد قبل التوصيل الهيدروليكي. يجب أن يتم التوصيل بمخرج الماء الساخن بواسطة جلبة من الحديد الزهر أو الفولاذ أو موصل عازل للكهرباء، لتجنب تآكل الأنابيب (توصيل مباشر عبر الحديد/النحاس). يحظر استخدام التركيبات النحاسية.
- تركيب بضغط:** انظر الشكل ⑦، ⑧، ⑨، و ⑩، و ⑪، و ⑫، و ⑬، و ⑭، و ⑮، و ⑯، و ⑰، و ⑱، و ⑲، و ⑳، و ㉑، و ㉒. قم دائماً بتثبيت جهاز أمان جديد على أنبوب الماء البارد لسخان المياه، والذي يتوافق مع المعايير (EN 1487 في أوروبا)، بضغط 0.7 أو 0.8 ميجاباسكال (7 أو 8 بار) وفقاً للحد الأدنى للضغط، بقطر 2/1" أو 4/3" (الجدول p.1).
- تركيب بدون ضغط:** انظر الشكل ⑪، ⑫، و ⑬. لإمداد نقطة استخدام واحدة، يجب أن يتم تنفيذ عملية التركيب باستخدام صنبور خلاط مياه خاص اختياري.
- أثناء التسخين، قد تتقاطر المياه عند الصمام، لا تعيق هذا التقاطر. جهاز الأمان إذا كان مورداً وكان لا يفي بمعايير التركيب على الأراضي الفرنسية (البر الرئيسي وأقاليم ما وراء البحار)، فلا تستخدمه.

4. التوصيلات الكهربائية

- راجع الرسوم البيانية المقابلة p.4 و 6 (انظر الشكل ⑬، ⑭، ⑮، ⑯، ⑰، ⑱، ⑲، ⑳، ㉑، ㉒).
 - يمكن توصيل سخان الماء وتشغيله فقط بتيار متردد 230 فولت أو تيار متردد 220-240 فولت وفقاً للوحة بيانات الجهاز. قم بتوصيل السخان بكابل مئين بموصلات 2.5 مم². استخدم قنوات معيارية (قناة تمرير أسلاك صلبة أو مرنة) حتى غطاء المبيت المعايير.
 - قم بتوصيل الأجهزة مباشرة بكابل أو قابس. في فرنسا، يُمنع منعاً باتاً المنتج المزود بقابس ولا يمكن بيعه وتثبيته.
 - قم دائماً بتوصيل الموصل الأرضي للكابل بسلك الأرضي أو قم بتوصيل الموصل الأرضي بطرف التوصيل المناسب المحدد بواسطة الرمز \oplus . هذه الوصلة إلزامية لأسباب تتعلق بالسلامة. يجب أن يكون السلك الأرضي أخضر - أصفر أطول من أسلاك الأطوار. يجب أن يكون التركيب مجهزاً، في الجزء العلوي من الجهاز، بجهاز قاطع تيار ثنائي الأقطاب (مفتاح قاطع أو فاصمة منصهرة بمسافة تلامس لا تقل عن 3 مم). في حالة وجود التوصيلات الهيدروليكية في مادة معزولة، يجب حماية الدوائر الكهربائية بواسطة قاطع دائرة تفاضلي 30 مللي أمبير متوافق مع المواصفات المحلية.
 - القاطع الحراري: جميع المنتجات مجهزة بثرموسنات به قاطع دائرة حراري مع خاصية إعادة الضبط اليدوي والذي يقطع الطاقة في حالة السخونة المفرطة. في حالة انطلاق وسيلة الأمان أ: افصل الطاقة قبل القيام بأي أعمال. ب: اخلع الغطاء البلاستيكي. ج: افحص الوصلات الكهربائية. د: أعد ضبط معايير الأمان. في حالة الانطلاق المتكرر، استبدل الثرموسنات. لا تتخطى

تحذيرات: هذا الجهاز لا يمكن استعماله من قبل أشخاص (بما في ذلك الأطفال) تكون قدراتهم الجسدية، أو الحسية، أو العقلية محدودة، أو من قبل أشخاص ليست لديهم خبرة أو معرفة، إلا في حالة خضوعهم إلى مراقبة، أو حصولهم على تعليمات مسبقة حول كيفية استعمال الجهاز من قبل شخص مسؤول عن سلامتهم. يجب أيضًا مراقبة الأطفال؛ لضمان عدم لعبهم بالجهاز. "يمكن استخدام هذا الجهاز بواسطة الأطفال من عمر 3 أعوام فأكثر، وكذلك الأفراد ذوو القدرات البدنية، أو الحسية، أو الذهنية المحدودة، أو الذين تنقصهم الخبرة والمعرفة، وذلك إذا تم الإشراف عليهم بشكل سليم، وتقديم إرشادات الاستخدام الآمن للجهاز، ووضع المخاطر في الحسبان. ولا يجوز للأطفال اللعب بالجهاز. كما أنه لا يجوز القيام بعمليات التنظيف والصيانة من قبل الأطفال دون إشراف. ولا يُسمح للأطفال الذين تتراوح أعمارهم من 3 إلى 8 سنوات إلا بتشغيل الصنبور المتصل بسخان المياه فقط."

التركيب

1. **تنبيه!** المنتج ثقيل، تعامل معه بعناية:

- 1.1 قم بتركيب الجهاز في غرفة محمية من الصقيع. إذا تعرض الجهاز للضرر بسبب العبث بجهاز الأمان، فلن يتم تغطية هذا الضرر من خلال الضمان.
- 1.2 تأكد أن الجدار المُركب عليه الجهاز يمكنه تحمل وزن الجهاز عندما يكون مملوءًا بالماء.
- 1.3 إذا كان من المقرر تركيب الجهاز في غرفة أو مكان تزيد فيه درجة الحرارة المحيطة باستمرار عن 35°م، فتأكد من تهوية الغرفة بشكل صحيح.
- 1.4 عند التركيب في حمام، لا تقم بتركيب الجهاز في المناطق V1 أو V2 (انظر الشكل 1، p.3). في حالة عدم وجود مساحة كافية، فيمكن تثبيتها في المنطقة V2 أو أعلى مستوى ممكن في المنطقة V1 للطرز الأفقية.
- 1.5 ارجع إلى الأشكال رقم 1 الخاصة بالتركيب.
- 1.6 هذا المنتج مخصص للاستخدام على ارتفاع 3000 متر بحد أقصى.
- 1.7 ضع الجهاز حيثما يمكن الوصول إليه.
- 1.8 تركيب سخان ماء رأسي مثبت على الحائط: لتسهيل الاستبدال المستقبلي لعنصر التسخين، اترك مساحة خالية (300 مم للسعات حتى 100 لتر و480 مم للسعات الأعلى) أسفل نهايات أنابيب الجهاز.
- 1.9 إذا تم تنصيب الجهاز في سقف معلق أو سندرة، أو فوق مساحة المعيشة، فيجب تركيب وعاء تصريف أسفل سخان الماء. يلزم توفير جهاز صرف متصل بشبكة الصرف الصحي.
- 1.10 يجب تركيب جهاز أمان جديد يتوافق مع المعايير الحالية (EN 1487 في أوروبا)، وضغط 0.7 أو 0.8 ميجاباسكال (7 أو 8 بار) وقطر 1/2» أو 3/4». يجب حماية صمام الأمان من الصقيع.
- 1.11 يجب تفعيل جهاز تصريف صمام تنفيس الضغط بشكل منتظم؛ لإزالة الرواسب الجيرية، والتأكد من عدم انسدادها.
- 1.12 يلزم وجود مخفض الضغط (غير مرفق) إذا زاد ضغط التغذية عن 0.5 ميجاباسكال (5 بار)، وكان سيتم تركيبه على أنبوب التغذية الرئيسي.
- 1.13 أوصل وحدة الأمان بأنبوب تفريغ في مكان مفتوح ضمن بيئة خالية من الجليد بانحدار؛ لتصريف المياه عند حدوث أي تمدد ناتج عن الحرارة، أو لتصريف المياه من سخان المياه.