

PRODUCT CATEGORY: WATER HEATER

LAST UPDATE : 12/10/2022

REF.	DESCRIPTION	WM / HM / FS	MODEL	ELEMENT	OUTPUT (W)	VOLTAGE
271113	THE CERAMICS WM 150 1800M PE	WM	150	Steatite	1800	220-240 V
281187	THE CERAMICS WM 200 2200M PE	WM	200	Steatite	2200	220-240 V
282104	THE CERAMICS FS 200 3000TC NC	FS	200	Steatite	3000	220-240 V
292078	THE CERAMICS FS 300 3000TC NC	FS	300	Steatite	3000	220-240 V

KEY SELLING POINTS & PRODUCTS ADVANTAGES



Ceramic heating element
Steatite adapted to all kinds of water



High precision bulb thermostat



Easy maintenance : no need to drain the tank



ECO and Absence modes for greater energy savings

	GENERAL SPECIFICATION
HEATING ELEMENT	DRY
HEATING ELEMENT MATERIAL	STEATITE
TANK PROTECTION 1	MAGNESIUM ANODE
TANK PROTECTION 2	NO
TANK MATERIAL	ENAMELED STEEL
EXTERNAL MATERIAL	PAINTED STEEL
INSTALLATION TYPE	WM/FS
PRODUCT MAIN COLOR	WHITE
TOP COLOR	WHITE (new design)
BOTTOM COLOR	WHITE (new design)
PLASTIC ROUND COLOR	N/A
HMI COLOR	N/A
PLUG	YES (only WM)
THERMOSTAT	BULB THERMOSTAT
SAFETY VALVE	YES
DIELECTRIC UNION	BI-METAL x1
THERMOMETER	NO
MARKINGS	CE
IP RATINGS	IP 24



INSTRUCTION BOOK 1
Notice Universelle U0717927

... TRANSLATED INTO :
Languages
French, English, Dutch, German, Spanish, Portuguese, Italian, Polish, Russian, Czech, Ukrainian, Letonian, Arabic

BRAND STICKER
THERMOR

Design top / bottom cover

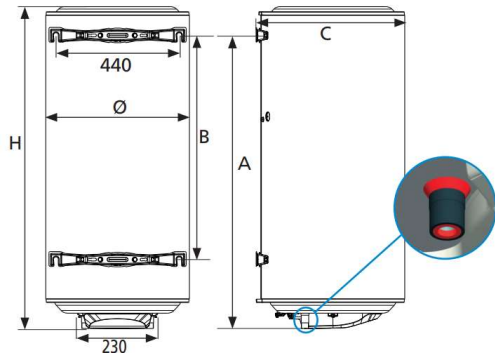
SAFETY VALVE

DIELECTRIC UNION
Bi-metal x 1

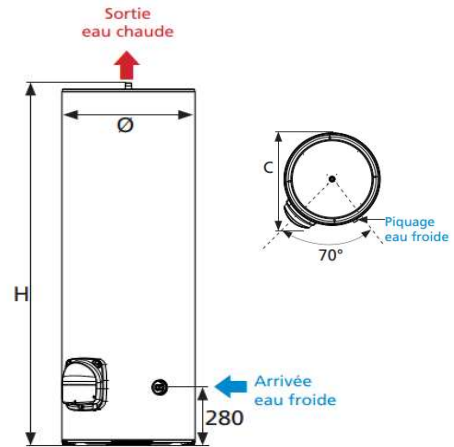
PACKAGING

INSTALLATION DIMENSIONS

VERTICAL WALL MOUNTED



FLOOR STANDING



VERTICAL WALL MOUNTED

Code	Description	Model	Voltage	Output (W)	Heat-up time	Hot water at 40°C	Cooling constant	QPR	Energy class	Dimensions (mm)					Weight (kg)
										Ø	H	A	B	C	
271113	THE CERAMICS WM 150 1800M PE	150	1800	220-240	5h12	275		1.59	C	513	1190	1050	800	530	35
281187	THE CERAMICS WM 200 2200M PE	200	2200		6h11	373		1.98	C	513	1510	1050	800	530	44

FLOOR STANDING

Code	Description	Model	Voltage	Output (W)	Heat-up time	Hot water at 40°C	Cooling constant	QPR	Energy class	Dimensions (mm)					Weight (kg)
										Ø	H	C			
282104	THE CERAMICS FS 200 3000TC NC	200	3000	220-240	3h44					575	1270	590			47
292078	THE CERAMICS FS 300 3000TC NC	300	3000		5h53			2.41*		575	1765	590			60

*indicative data