


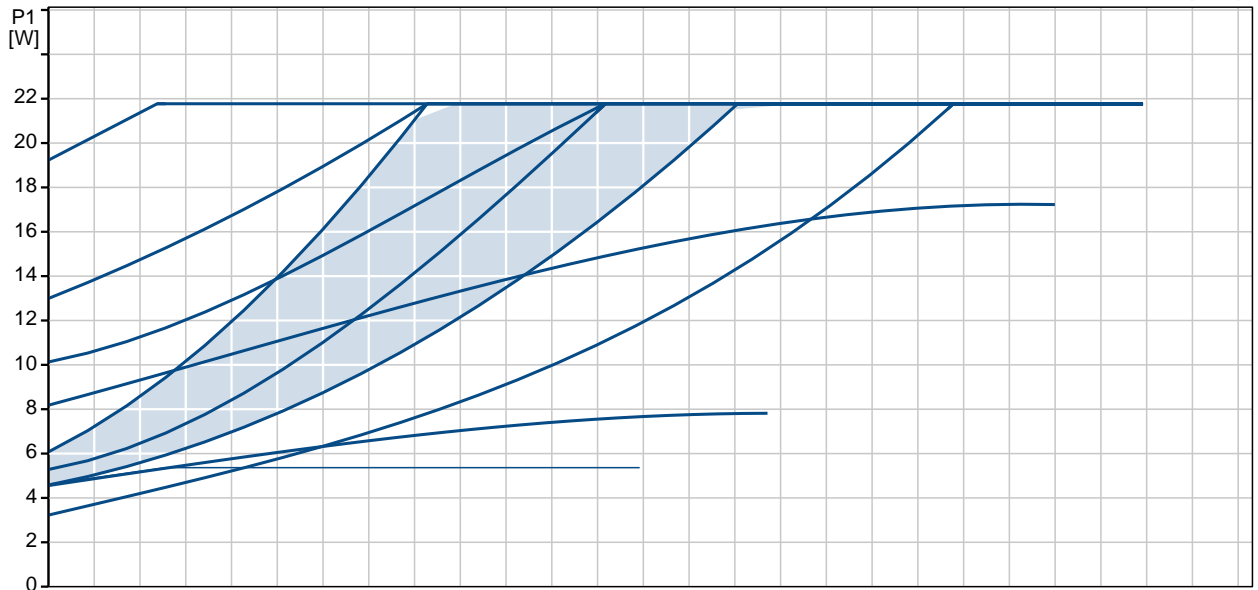
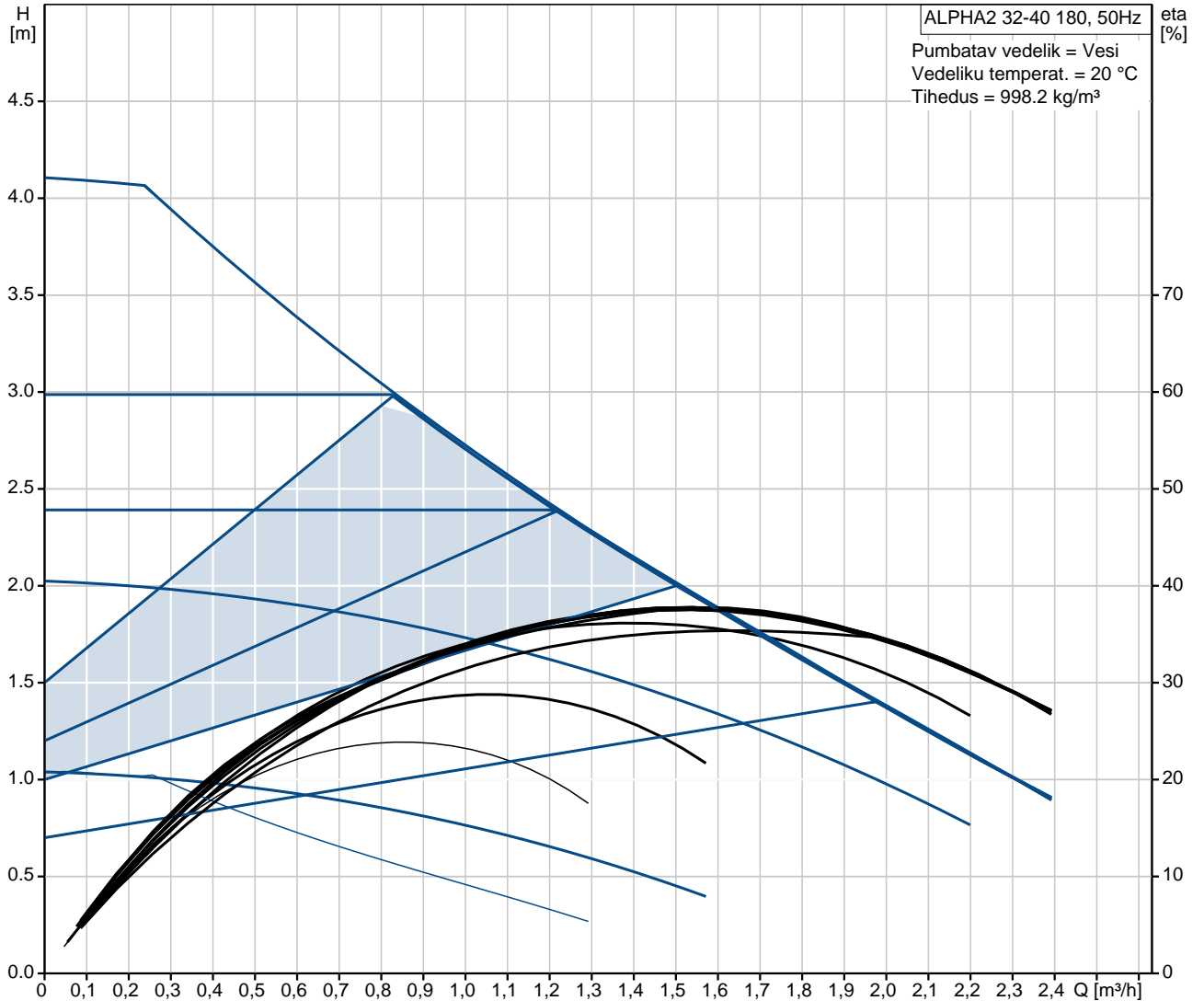


Positsioon	Kogus	Kirjeldus
	1	<p>ALPHA2 32-40 180</p>  <p>Märkus! Realse toote väljanägemine võib erineda pildil kujutatust.</p> <p>Toote kood:: 97993203</p> <p>High-efficiency circulator pump with permanent-magnet motor (ECM technology) and integrated electronic performance adaptation due to continuously variable speed control for circulation of clean heating water according to VDI 2035.</p> <p>Features and benefits:</p> <ul style="list-style-type: none"> • No more experiments of settings. The AUTOADAPT function will automatically find the best setpoint. • No extra costs. • Insulating shells are supplied with pumps for heating systems. • Everything under control thanks to display showing actual power consumption in Watt or actual flow in m³/h. • High energy savings due to the best energy efficiency index (EEI) in the market. • For sensitive applications, stainless-steel pump housings are available. • Complies with the German regulation for energy saving in buildings and building systems - Energieeinsparverordnung – EnEV §14(3). • Automatic Night Setback that further reduces the energy consumption. • Simple selection among three constant-pressure curves, three proportional-pressure curves or three fixed speeds with only one button. • Easy electrical connection due to new ALPHA plug. • Higher application flexibility as the ALPHA2 is now suitable for cold-water systems. • No corrosion issues due to electro-coated pump housing. • Reduced installation costs as no external motor protection is required. <p>Vedelik:</p> <p>Pumbatav vedelik: Vesi Vedeliku temperatuurivahemik: 0 .. 110 °C Vedeliku temp.: 20 °C Tihedus: 998.2 kg/m³</p> <p>Tehnilised:</p> <p>TF klass: 110 Tunnustused sildikul: VDE,GS,CE</p> <p>Materjalid:</p> <p>Pumbapesa: Valumalm EN-GJL-150 ASTM A48-150B</p> <p>Tööratas: PES 30%GF</p>

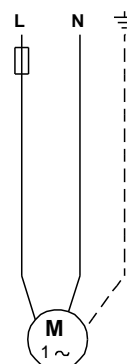
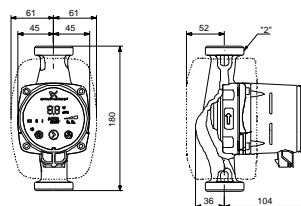
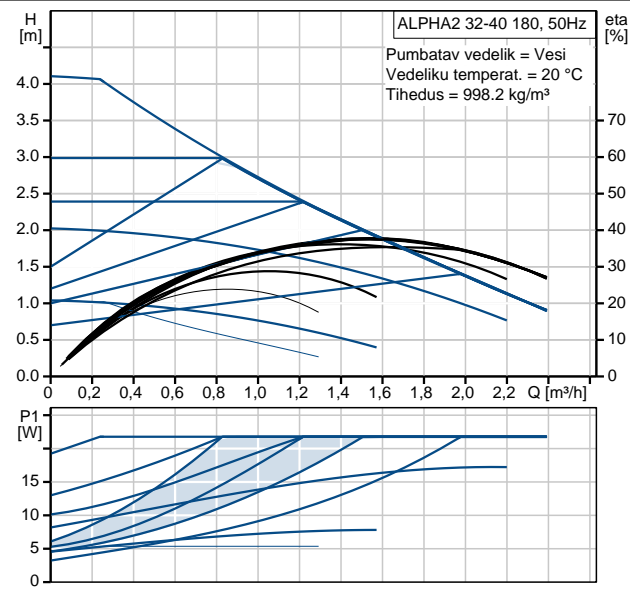
Positsioon	Kogus	Kirjeldus
		<p>Paigaldamine: Ümbritseva temperat. vahemik: 0 .. 40 °C Maks. töösurve: 10 bar Toruühendus: G 2 Surveklass: PN 10 Paigalduspikkus: 180 mm</p> <p>Elektriandmed: Power input - P1: 3 .. 18 W Maksimaalne voolutarve: 0.04 .. 0.18 A Vooluvõrgu sagedus: 50 Hz Nimipinge: 1 x 230 V Kaitseklass (IEC 34-5): X4D Isolatsiooniklass (IEC 85): F</p> <p>Muu: Energy (EEL): 0.15 Nettokaal: 2.18 kg Bruttokaal: 2.3 kg Tarnemaht: 0.004 m³</p>



97993203 ALPHA2 32-40 180 50 Hz

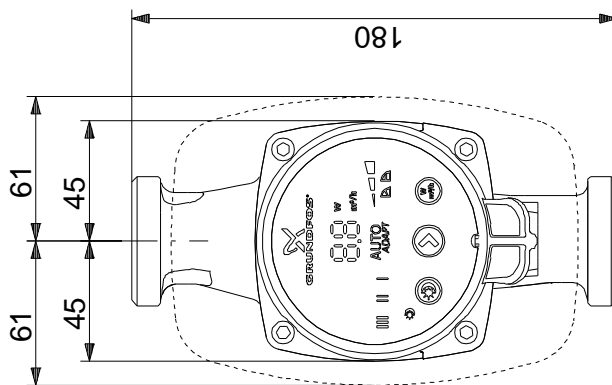
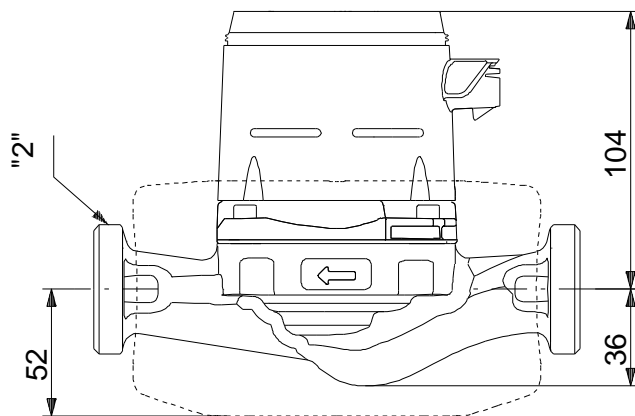


Kirjeldus	Väärtus
Product name:	ALPHA2 32-40 180
Product No:	97993203
EAN number:	5710627540425
Hind:	Nõudmisel
Tehnilised:	
Tõstekõrgus maks.:	40 dm
TF klass:	110
Tunnustused sildikul:	VDE,GS,CE
Materjalid:	
Pumbapesa:	Valumalm
	EN-GJL-150
	ASTM A48-150B
Tööratas:	PES 30%GF
Paigaldamine:	
Ümbritseva temperat. vahemik:	0 .. 40 °C
Maks. töösurve:	10 bar
Toruühendus:	G 2
Surveklass:	PN 10
Paigalduspikkus:	180 mm
Vedelik:	
Pumbatav vedelik:	Vesi
Vedeliku temperatuurivahemik:	0 .. 110 °C
Vedeliku temp.:	20 °C
Tihedus:	998.2 kg/m ³
Elektriandmed:	
Power input - P1:	3 .. 18 W
Maksimaalne voolutarve:	0.04 .. 0.18 A
Vooluvõrgu sagedus:	50 Hz
Nimipinge:	1 x 230 V
Kaitseklass (IEC 34-5):	X4D
Isolatsiooniklass (IEC 85):	F
Mootori kaitse:	NONE
Termokaitse:	ELEC
Juhtimisseade:	
Autom. öörežiim:	automaatne öörežiim integreeritud
Klemmkarbi asend:	6H
Muu:	
Energy (EEI):	0.15
Nettokaal:	2.18 kg
Bruttokaal:	2.3 kg
Tarnemaht:	0.004 m ³





97993203 ALPHA2 32-40 180 50 Hz



Note! All units are in [mm] unless others are stated.
Disclaimer: This simplified dimensional drawing does not show all details.