




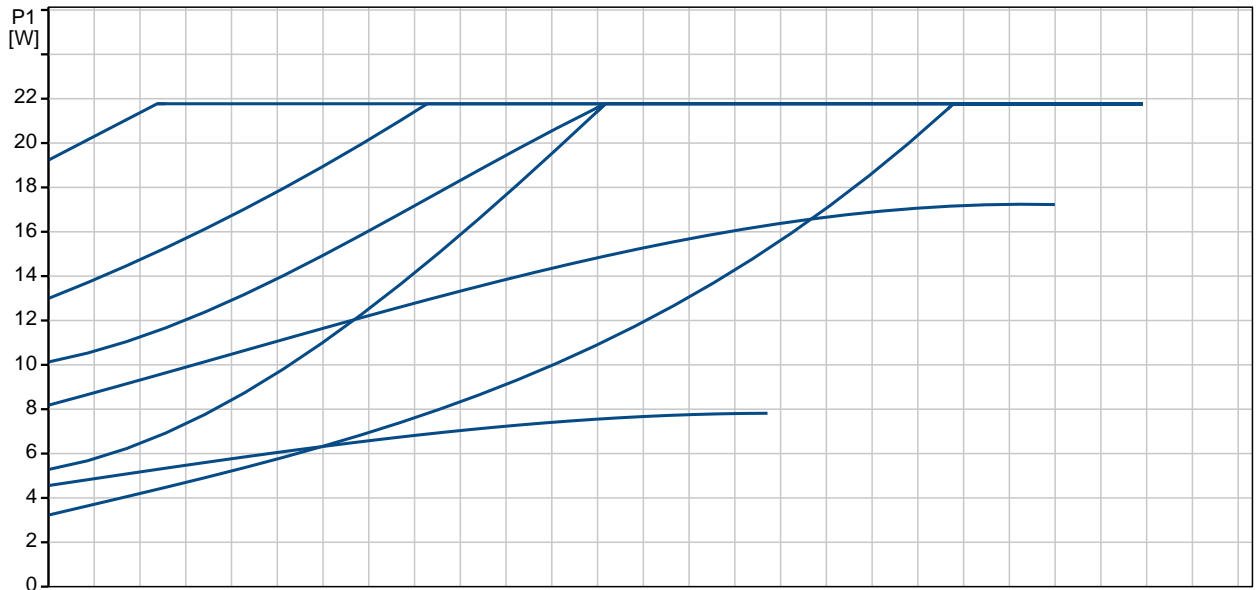
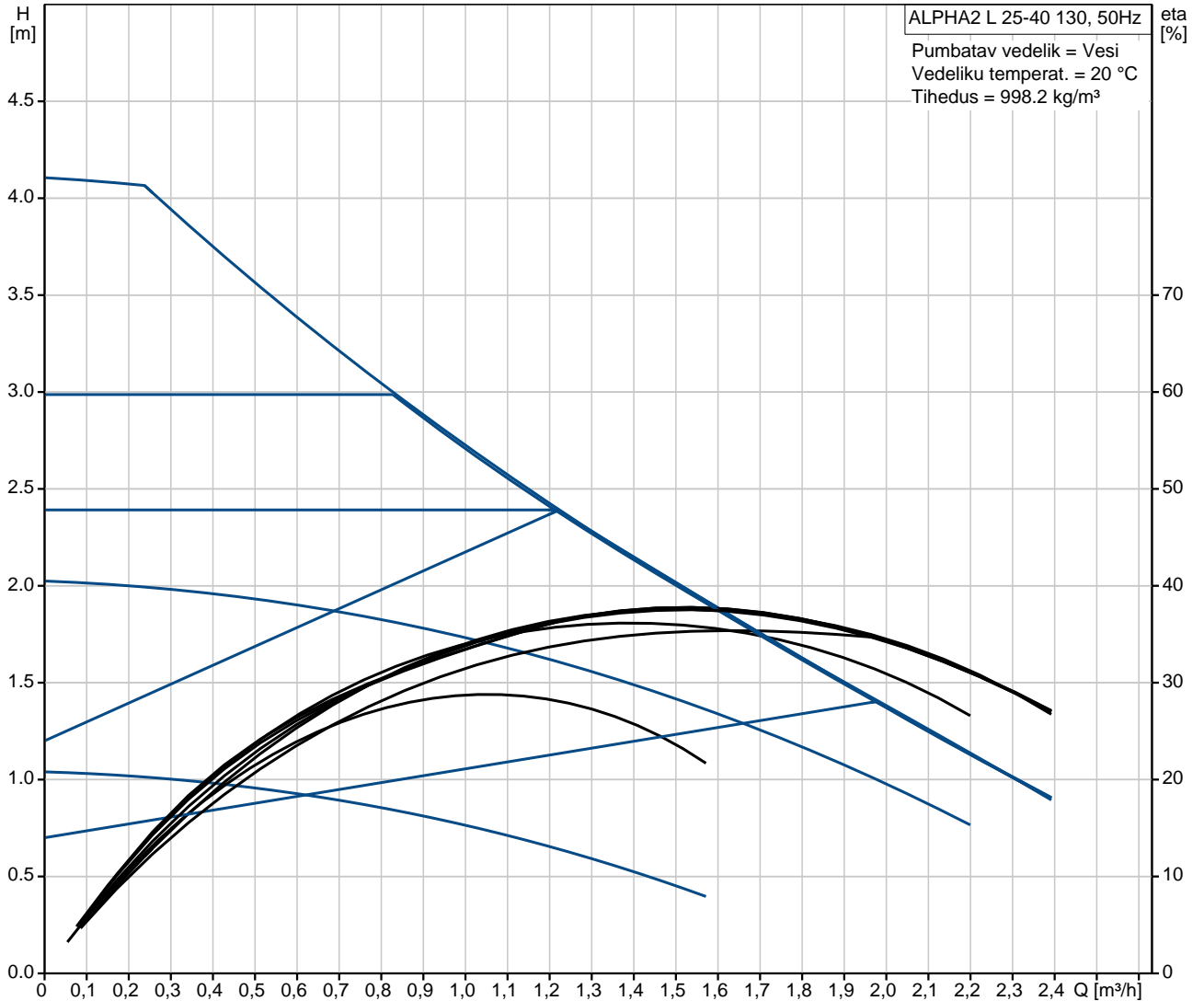
| Positsioon | Kogus | Kirjeldus   |
|------------|-------|---|
|            | 1     | <p><b>ALPHA2 L 25-40 130</b></p>  <p>Märkus! Reaalse toote väljanägemine võib erineda pildil kujutatust.</p> <p>Toote kood:: <a href="#">95047561</a></p> <p><b>GRUNDFOS ALPHA2 L</b><br/>The next generation of A-labelled small circulators</p> <p>ALPHA2 L is the latest member of the Grundfos family of high-quality circulators.</p> <p>With ALPHA2 L, you can stop worrying about complicated pump settings.</p> <p>ALPHA2 L is flexible, reliable, and more compact than any other A-labelled circulator pump on the market.</p> <p><b>Compact design</b><br/>The innovative design makes ALPHA2 L the most compact Grundfos circulator available. With the electronics integrated in the pump housing, installation in very confined spaces is now possible.</p> <p><b>A-label</b><br/>The frequency converter, permanent-magnet technology, and compact stator place ALPHA2 L highest on the energy label scheme. ALPHA2 L will use up to 80 % less electrical energy than D-labelled circulators.</p> <p><b>ALPHA plug</b><br/>The much appreciated and very popular ALPHA plug is the only plug in the market that offers extremely simple cable connection.</p> <p><b>One-touch operation</b><br/>Intuitive one-touch operation enables simple setting.</p> <p><b>Vedelik:</b><br/>Pumbatav vedelik: Veski<br/>Vedeliku temperatuurivahemik: 2 .. 110 °C<br/>Vedeliku temp.: 20 °C<br/>Tihedus: 998.2 kg/m³</p> <p><b>Tehnilised:</b><br/>TF klass: 110<br/>Tunnustused sildikul: VDE,GS,CE</p> <p><b>Materjalid:</b></p> |



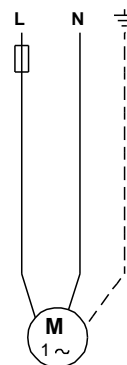
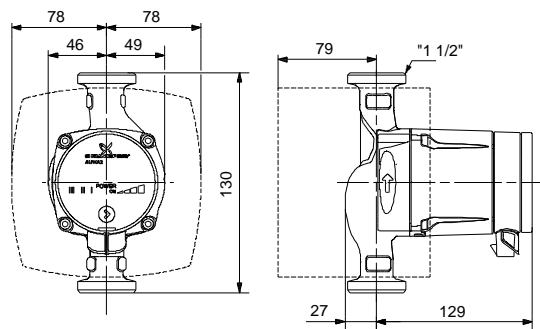
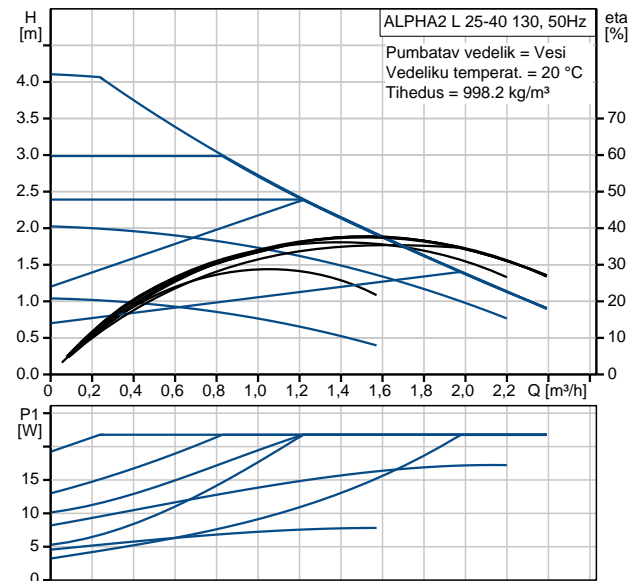
| Positsioon | Kogus | Kirjeldus  |
|------------|-------|--|
|            |       | <p>Pumbapesa: Valumalm<br/>EN-JL 1020<br/>ASTM A48-25 B</p> <p>Tööratas: Composite, PP</p> <p><b>Paigaldamine:</b><br/>                     Ümbritseva temperat. vahemik: 0 .. 40 °C<br/>                     Maks. töösurve: 10 bar<br/>                     Toruühendus: G 1 1/2<br/>                     Surveklass: PN 10<br/>                     Paigalduspikkus: 130 mm</p> <p><b>Elektriandmed:</b><br/>                     Power input - P1: 5 .. 22 W<br/>                     Maksimaalne voolutarve: 0.05 .. 0.19 A<br/>                     Vooluvõrgu sagedus: 50 Hz<br/>                     Nimipinge: 1 x 230 V<br/>                     Kaitseklass (IEC 34-5): IP42<br/>                     Isolatsiooniklass (IEC 85): F</p> |



**95047561 ALPHA2 L 25-40 130 50 Hz**

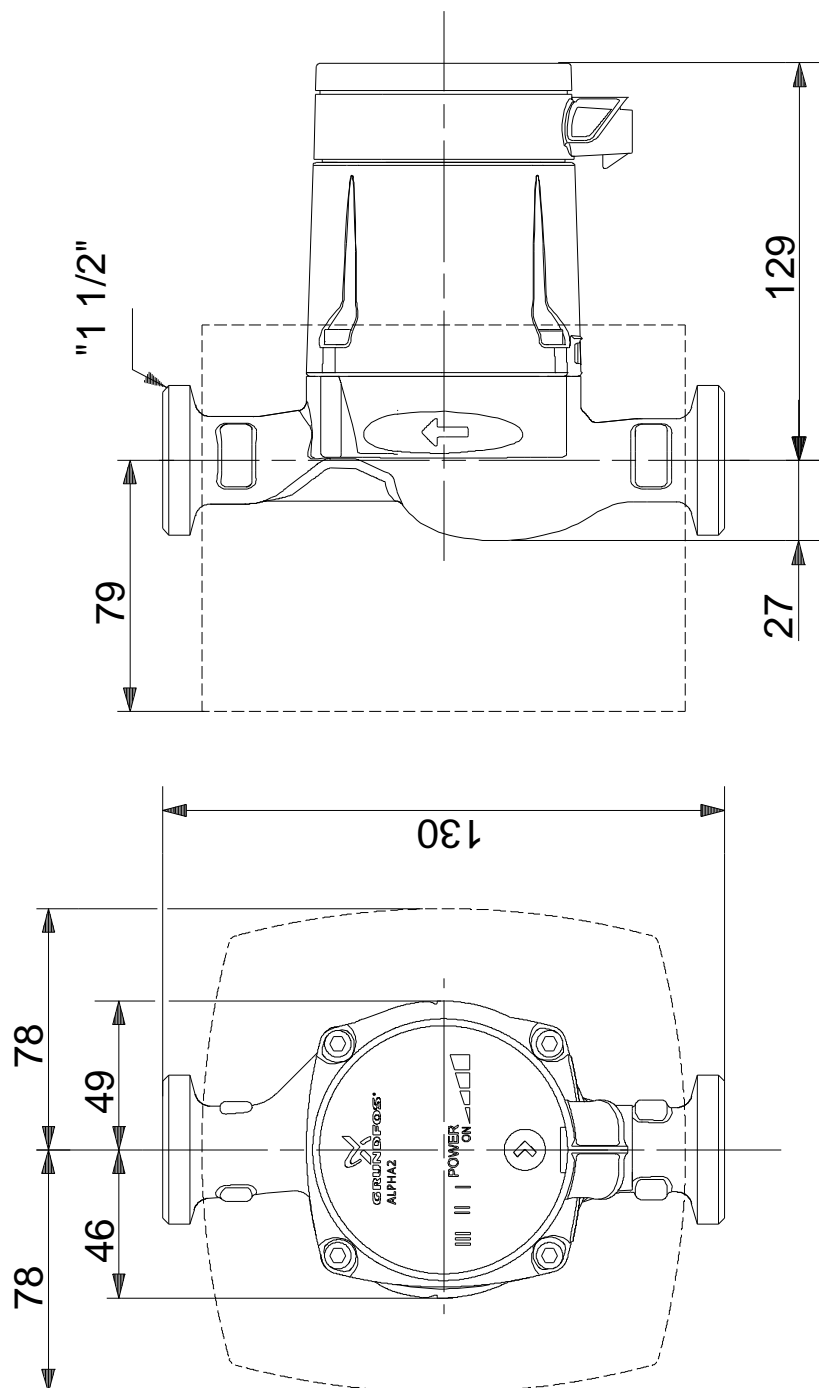


| Kirjeldus                     | Väärtus                                 |
|-------------------------------|---|
| Product name:                 | ALPHA2 L 25-40 130                      |
| Product No:                   | 95047561                                |
| EAN number:                   | 5700311668566                           |
| Hind:                         | Nõudmisel                               |
| <b>Tehnilised:</b>            |   |
| Tõstekõrgus maks.:            | 40 dm                                   |
| TF klass:                     | 110                                     |
| Tunnustused sildikul:         | VDE,GS,CE                               |
| <b>Materjalid:</b>            |   |
| Pumbapesa:                    | Valumalm<br>EN-JL 1020<br>ASTM A48-25 B |
| Tööratas:                     | Composite, PP                           |
| <b>Paigaldamine:</b>          |   |
| Ümbritseva temperat. vahemik: | 0 .. 40 °C                              |
| Maks. töösurve:               | 10 bar                                  |
| Toruühendus:                  | G 1 1/2                                 |
| Surveklass:                   | PN 10                                   |
| Paigalduspikkus:              | 130 mm                                  |
| <b>Vedelik:</b>               |   |
| Pumbatav vedelik:             | Vesi                                    |
| Vedeliku temperatuurivahemik: | 2 .. 110 °C                             |
| Vedeliku temp.:               | 20 °C                                   |
| Tihedus:                      | 998.2 kg/m³                             |
| <b>Elektriandmed:</b>         |   |
| Power input - P1:             | 5 .. 22 W                               |
| Maksimaalne voolutarve:       | 0.05 .. 0.19 A                          |
| Vooluvõrgu sagedus:           | 50 Hz                                   |
| Nimipinge:                    | 1 x 230 V                               |
| Kaitseklass (IEC 34-5):       | IP42                                    |
| Isolatsiooniklass (IEC 85):   | F                                       |
| Mootori kaitse:               | NONE                                    |
| Termokaitse:                  | ELEC                                    |
| <b>Juhtimiseseade:</b>        |   |
| Klemmkarbi asend:             | 6H                                      |
| <b>Muu:</b>                   |   |
| Energy (EEI):                 | 0.23                                    |
| Nettokaal:                    | 1.9 kg                                  |
| Bruttokaal:                   | 2.1 kg                                  |





## 95047561 ALPHA2 L 25-40 130 50 Hz



Note! All units are in [mm] unless others are stated.  
Disclaimer: This simplified dimensional drawing does not show all details.