




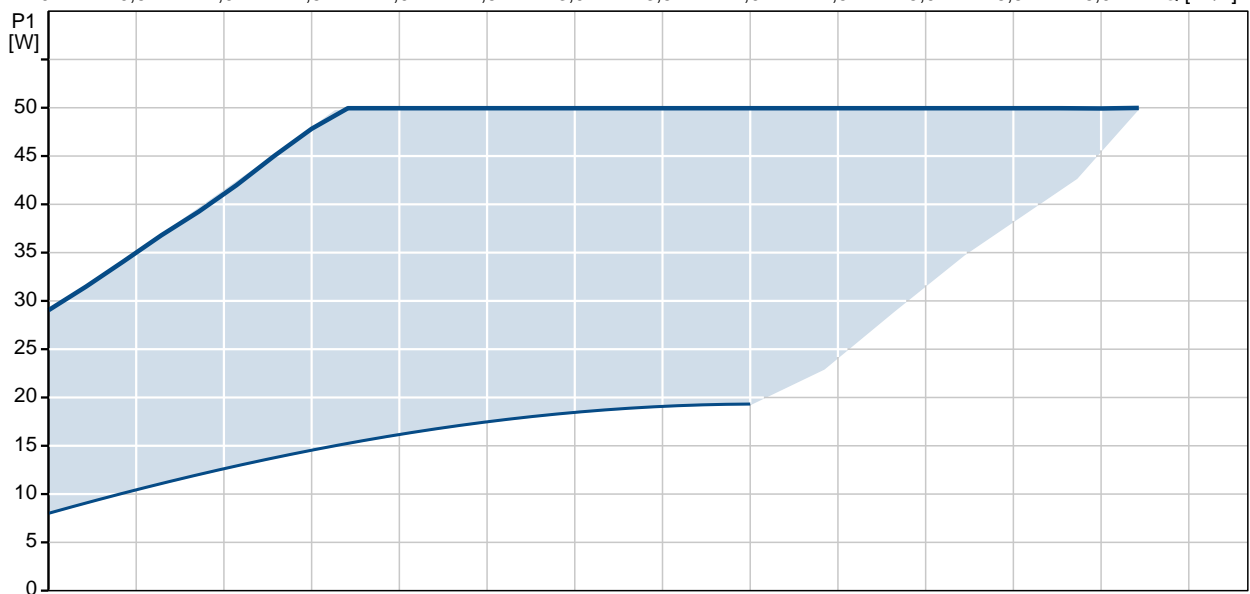
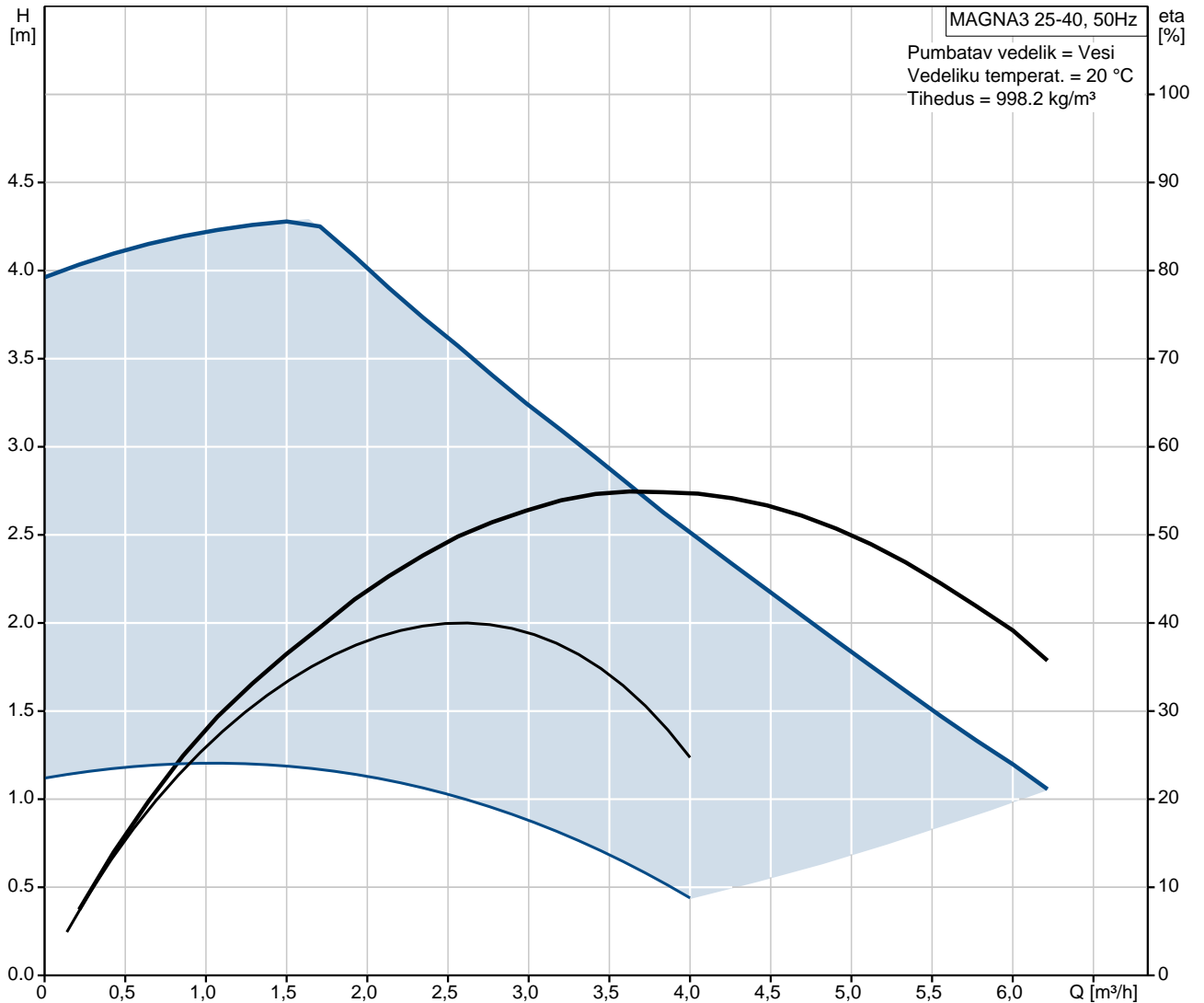
Positsioon	Kogus	Kirjeldus
	1	<p><b>MAGNA3 25-40</b></p>  <p>Märkus! Reaalse toote väljanägemine võib erineda pildil kujutatust.</p> <p>Toote kood:: <a href="#">97924244</a></p> <p><b>MAGNA3 – More than a pump</b>  With its unrivalled efficiency, all-encompassing range and built-in communication capabilities plus functionalities replacing system components, the MAGNA3 is ideal for engineers and specifiers looking to create high-performance systems for buildings.</p> <p>This pump in the Grundfos Master Class will fit both heating and cooling applications perfectly, making it the obvious choice for almost any building project – old or new.</p> <p>The MAGNA3 is of the canned-rotor type, i.e. pump and motor form an integral unit without shaft seal and with only two gaskets for sealing. The bearings are lubricated by the pumped liquid.</p> <p>The innovative clamp with only one screw enables easy repositioning of the pump head. The MAGNA3 is a pump with no maintenance requirements and with extremely low Life Cycle Cost.</p> <p>The pump is characterised by the following:</p> <ul style="list-style-type: none"> <li>• controller integrated in the control box</li> <li>• control panel with TFT display on the control box</li> <li>• control box prepared for optional CIM modules</li> <li>• built-in differential-pressure and temperature sensor</li> <li>• cast-iron pump housing (depending on model)</li> <li>• carbon-fibre-reinforced composite rotor can</li> <li>• stainless-steel bearing plate and rotor cladding</li> <li>• aluminium alloy stator housing</li> <li>• air-cooled power electronics</li> </ul> <p>The MAGNA3 is a single-phase pump.</p> <p><b>Characteristic features</b></p> <ul style="list-style-type: none"> <li>• AUTOADAPT.</li> <li>• FLOWADAPT and FLOWLIMIT (more than a pump function as it reduces the need for pump throttling valves).</li> <li>• Proportional-pressure control.</li> <li>• Constant-pressure control.</li> <li>• Constant-temperature control.</li> <li>• Constant-curve duty.</li> <li>• Max. or min. curve duty.</li> <li>• Automatic Night Setback.</li> <li>• No external motor protection required.</li> <li>• Insulating shells supplied with single-head pumps for heating systems.</li> <li>• Large temperature range where the liquid temperature and the ambient temperature are independent of each other.</li> </ul>



Positsioon	Kogus	Kirjeldus
		<p>Communication</p> <p>The MAGNA3 enables communication via the following:</p> <ul style="list-style-type: none"> <li>• wireless Grundfos GO Remote</li> <li>• fieldbus communication via CIM modules</li> <li>• digital inputs</li> <li>• relay outputs</li> <li>• analog input (more than a pump function as heat energy meter)</li> </ul> <p>Motor and electronic controller</p> <p>The MAGNA3 incorporates a 4-pole synchronous, permanent-magnet motor (PM motor). This motor type is characterised by higher efficiency than a conventional asynchronous squirrel-cage motor.</p> <p>The pump speed is controlled by an integrated frequency converter.</p> <p>A differential-pressure and temperature sensor is incorporated in the pump.</p> <p><b>Vedelik:</b></p> <p>Pumbatav vedelik: Vesi</p> <p>Vedeliku temperatuurivahemik: -10 .. 110 °C</p> <p>Vedeliku temp.: 20 °C</p> <p>Tihedus: 998.2 kg/m<sup>3</sup></p> <p><b>Tehnilised:</b></p> <p>TF klass: 110</p> <p>Tunnustused sildikul: CE,VDE,EAC</p> <p><b>Materjalid:</b></p> <p>Pumbapesa: Valumalm EN-GJL-200 ASTM A48-200B</p> <p>Tööratas: PES 30%GF</p> <p><b>Paigaldamine:</b></p> <p>Ümbritseva temperat. vahemik: 0 .. 40 °C</p> <p>Maks. töösurve: 10 bar</p> <p>Toruühendus: G 1 1/2"</p> <p>Surveklass: PN10</p> <p>Paigalduspikkus: 180 mm</p> <p><b>Elektriandmed:</b></p> <p>Power input - P1: 9 .. 56 W</p> <p>Maksimaalne voolutarve: 0.09 .. 0.46 A</p> <p>Vooluvõrgu sagedus: 50 Hz</p> <p>Nimipinge: 1 x 230 V</p> <p>Kaitseklass (IEC 34-5): X4D</p> <p>Isolatsiooniklass (IEC 85): F</p> <p><b>Muu:</b></p> <p>Label: Grundfos Blueflux</p> <p>Energy (EEI): 0.19</p> <p>Nettokaal: 4.81 kg</p> <p>Bruttokaal: 5.27 kg</p> <p>Tarnemaht: 0.015 m<sup>3</sup></p>



**97924244 MAGNA3 25-40 50 Hz**





Ettevõtte nimi: AKVEDUKT OÜ

Koostas: -

Telefon: -

Faks: -

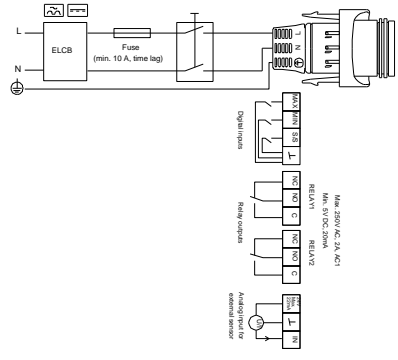
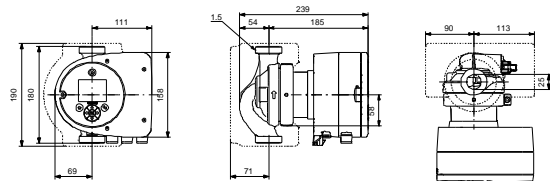
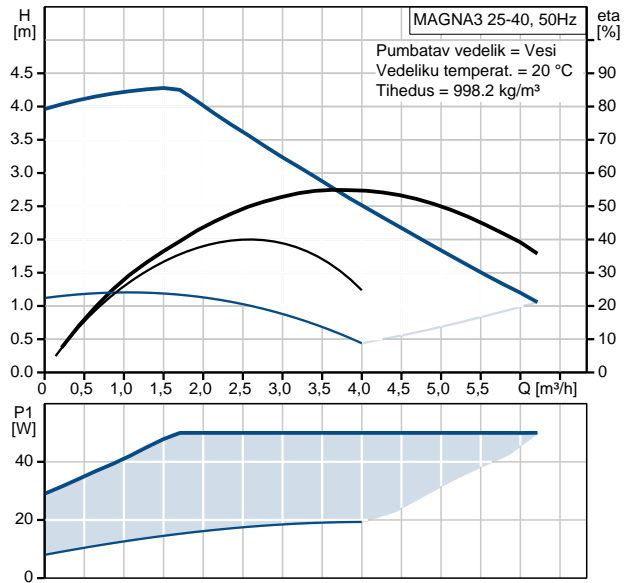
Kuupäev: -

Kirjeldus	Väärtus
Product name:	MAGNA3 25-40
Product No:	97924244
EAN number:	5710626493197
Hind:	Nõudmisel
<b>Tehnilised:</b>	
Tõstekõrgus maks.:	40 dm
TF klass:	110
Tunnustused sildikul:	CE, VDE, EAC
Mudel:	A
<b>Materjalid:</b>	
Pumbapesa:	Valumalm EN-GJL-200 ASTM A48-200B
Tööratas:	PES 30%GF
<b>Paigaldamine:</b>	
Ümbritseva temperat. vahemik:	0 .. 40 °C
Maks. töösurve:	10 bar
Toruühendus:	G 1 1/2"
Surveklass:	PN10
Paigalduspikkus:	180 mm

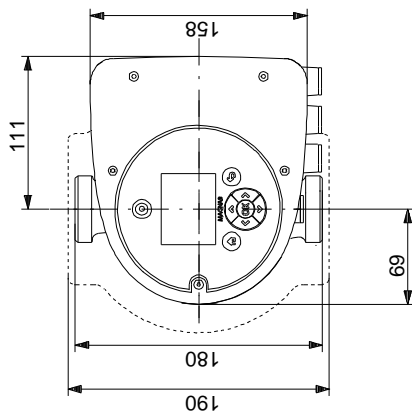
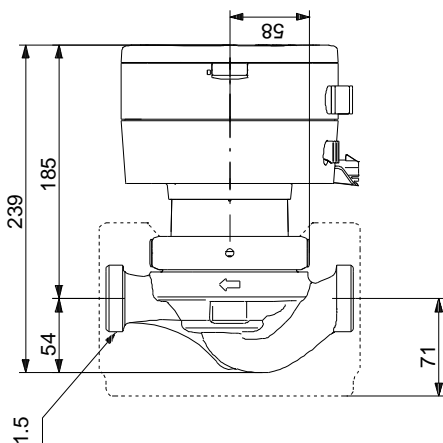
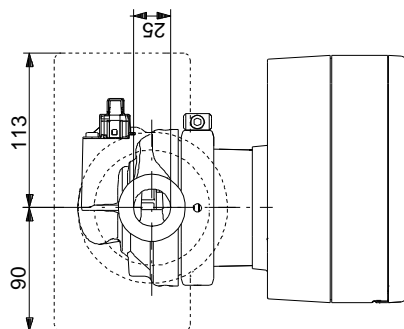
<b>Vedelik:</b>	
Pumbatav vedelik:	Vesi
Vedeliku temperatuurivahemik:	-10 .. 110 °C
Vedeliku temp.:	20 °C
Tihedus:	998.2 kg/m <sup>3</sup>

<b>Elektriandmed:</b>	
Power input - P1:	9 .. 56 W
Maksimaalne voolutarve:	0.09 .. 0.46 A
Vooluvõrgu sagedus:	50 Hz
Nimipinge:	1 x 230 V
Kaitseklass (IEC 34-5):	X4D
Isolatsiooniklass (IEC 85):	F

<b>Muu:</b>	
Label:	Grundfos Blueflux
Energy (EEI):	0.19
Nettokaal:	4.81 kg
Bruttokaal:	5.27 kg
Tarnemaht:	0.015 m <sup>3</sup>



## 97924244 MAGNA3 25-40 50 Hz



Note! All units are in [mm] unless others are stated.  
Disclaimer: This simplified dimensional drawing does not show all details.